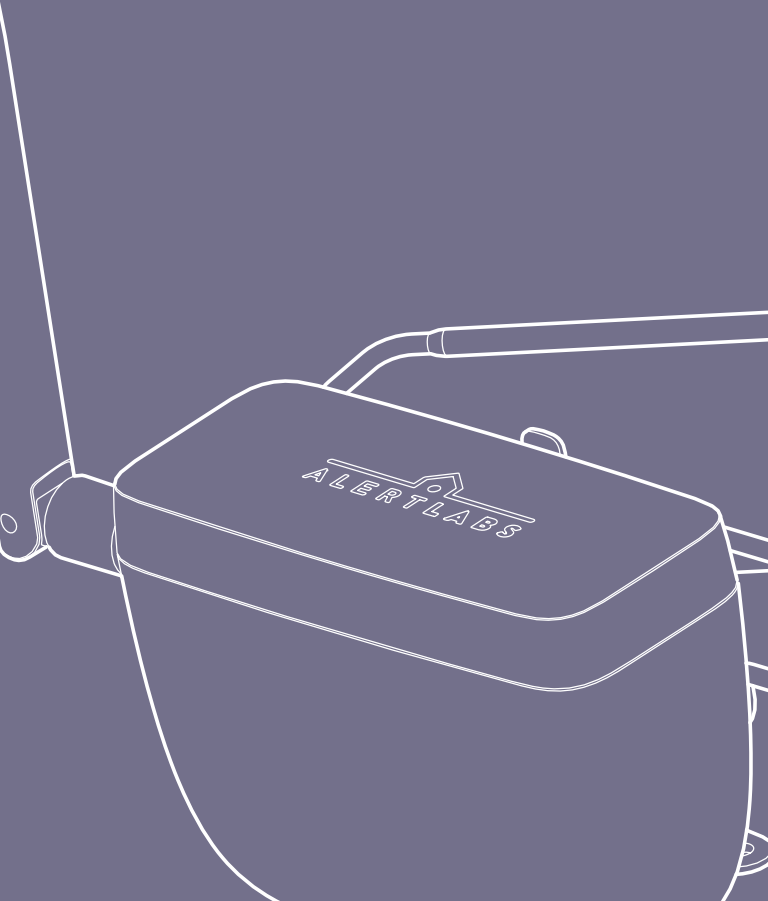




# SUMPIE

*Quick-start Guide*



## **ISED REGULATORY STATEMENT**

CAN ICES-3 (B)/NMB-3(B)

This device contains licence-exempt transmitter(s)/receiver(s) that comply with Innovation, Science and Economic Development Canada's licence-exempt RSS(s). Operation is subject to the following two conditions:

- (1) This device may not cause interference.
- (2) This device must accept any interference, including interference that may cause undesired operation of the device.

## **WARNING: RF EXPOSURE COMPLIANCE**

The antenna(s) used for this transmitter must be installed to provide a separation distance of at least (8 in) 20 cm from all persons and must not be co-located or operating in conjunction with any other product antenna or transmitter.

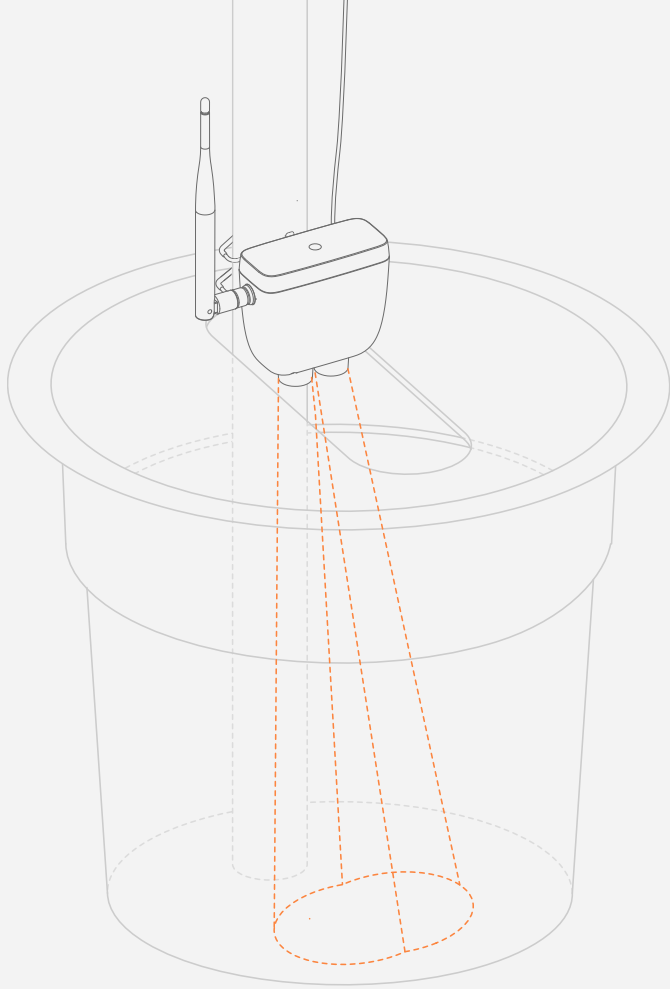
## **FCC REGULATORY STATEMENTS**

Changes or modifications not expressly approved by the party responsible for compliance could void the user's authority to operate this equipment.

Note: This equipment has been tested and found to comply with the limits for a Class B digital device, pursuant to part 15 of the FCC Rules. These limits are designed to provide reasonable protection against harmful interference in a residential installation. This equipment generates, uses and can radiate radio frequency energy and, if not installed and used in accordance with the instructions, may cause harmful interference to radio communications. However, there is no guarantee that interference will not occur in a particular installation. If this equipment does cause harmful interference to radio or television reception, which can be determined by turning the equipment off and on, the user is encouraged to try to correct the interference by one or more of the following measures:

- Reorient or relocate the receiving antenna.
- Increase the separation between the equipment and receiver.
- Connect the equipment into an outlet on a circuit different from that to which the receiver is connected.
- Consult the dealer or an experienced radio/TV technician for help.

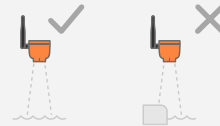
This device complies with part 18 of the FCC Rules.



## *Ideal installation*

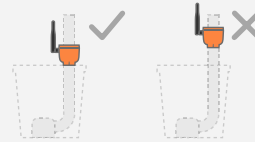
### **TO FUNCTION, SUMPPIE NEEDS...**

To have a view of the water level in the sump pit, free of obstructions such as the float, or the pump itself

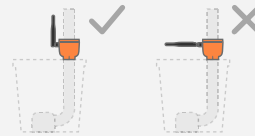


### **IDEALLY, SUMPPIE WILL ALSO...**

Be mounted to the sump pump's pipe directly above the lid

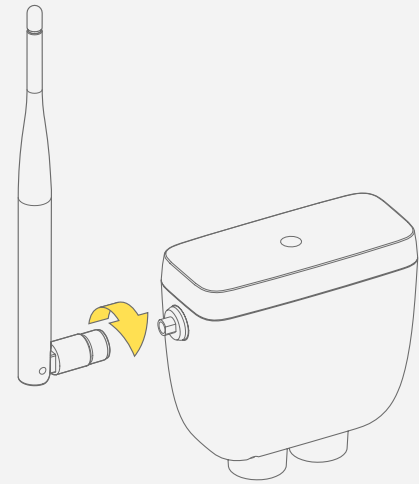
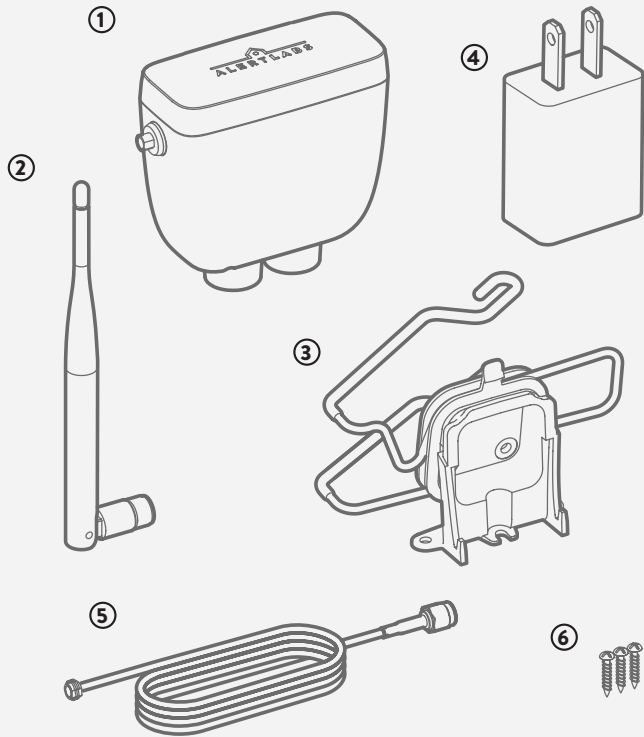


Have its antenna in a vertical orientation



For information on how to install Sumpie, view the instructional video at [alertlabs.com/SumpieInstall](https://alertlabs.com/SumpieInstall)



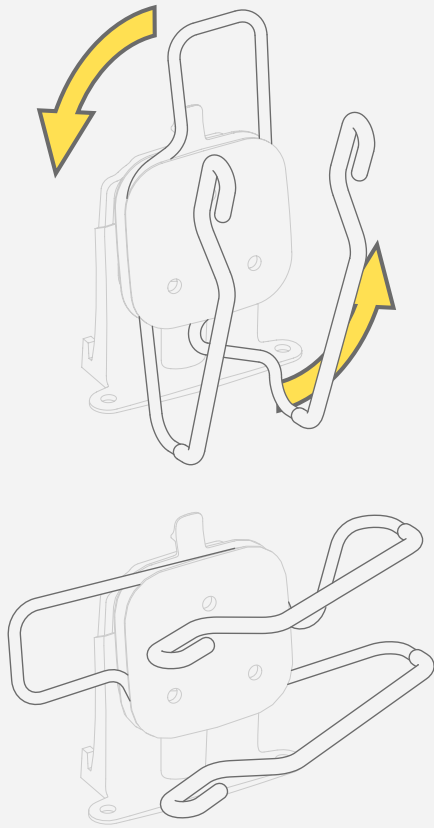


## What's Included

- ① Sumpie sensor
- ② Antenna
- ③ Mounting holster
- ④ 10W USB power adapter
- ⑤ Antenna extension cable
- ⑥ Phillips head screws (×3)

**1**

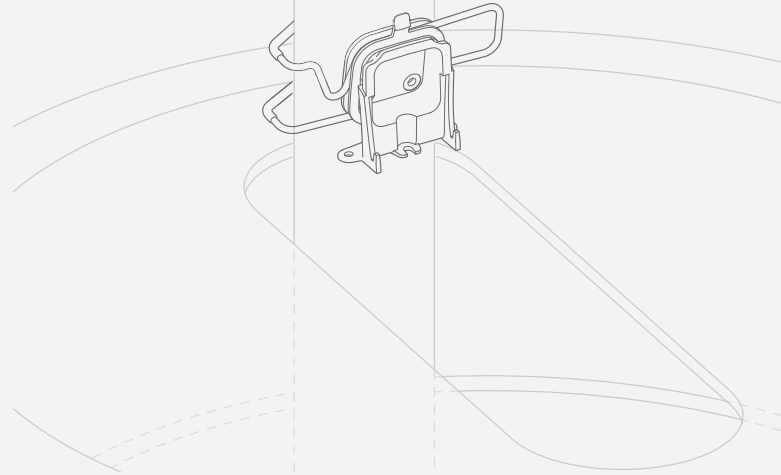
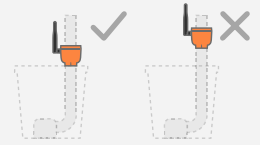
Screw the antenna onto Sumpie's side.



**2**

Rotate the metal bracket on the mounting holster 90° so that the opening faces to the side

**3**

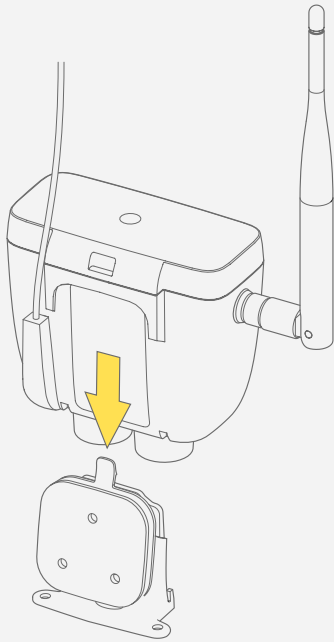


**3**

For Sumpie to function properly, it is essential that the sensors on the bottom of Sumpie have an unobstructed view of the water level in the sump pit. Make sure that the sensor's line of sight is not blocked by the pump, the float, or any other object.

Snap the mounting holster onto to the sump pit's pipe. The bottom of Sumpie should be in line with the lid, or the top of the sump pit.

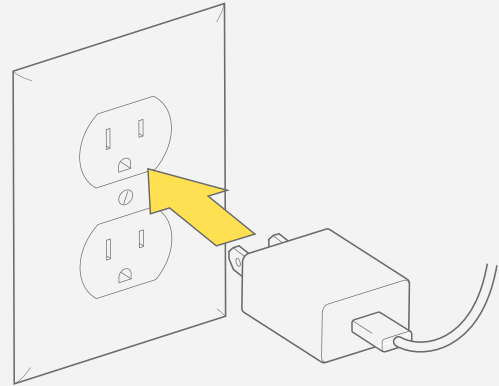
**4**



**4**

Slide Sumpie downwards onto the mounting holster until it clicks into place. Ensure that the sensors on the bottom of Sumpie are aimed directly at the water in your sump pit, and that their view is free from obstructions.

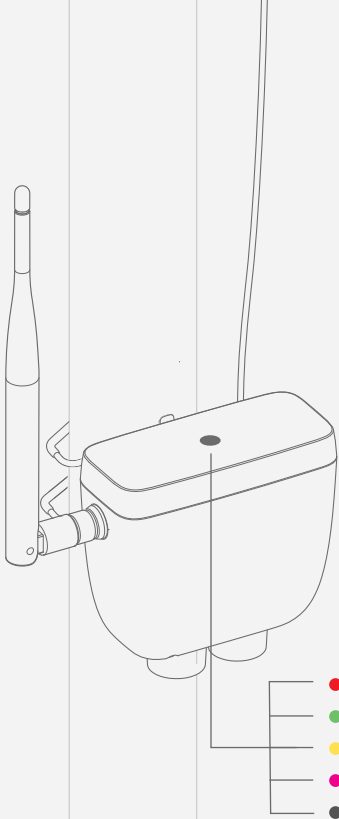
**5**



**5**

Connect Sumpie's cord to the USB power adapter, and plug it in.

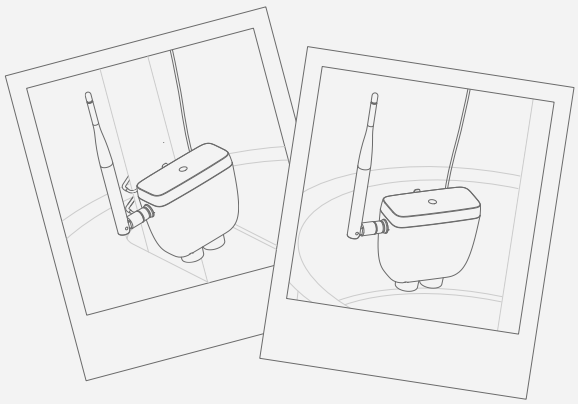
**6**



- **RED** ..... No signal
- **GREEN** ..... Good signal
- **YELLOW** ..... On battery
- **MAGENTA** ..... Updating
- **OFF** ..... No power

## 6

Sumpie is connected when the light turns green. This may take up to 5 minutes.



## 7

Take a photo of the installed Sumpie unit. You'll need to upload the photo when you register the sensor.



## 8

Sign up or log in at [app.alertlabs.com](http://app.alertlabs.com). To register Sumpie, select **➕ Add Sensor** and use the serial number above.

ISSUE	PAGE
-------	------

I can't clamp Sumpie to the pipe and have a clear view of the water level	
---	--

└ My sump pit has a lid with a hole	Page 11
-------------------------------------	---------

└ My sump pit does not have a lid	Page 11
-----------------------------------	---------

My sump pit lid does not have a hole for Sumpie to see into the pit through	
---	--

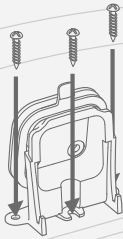
└ Sumpie can clamp to the pipe of my sump pit	Page 12
---	---------

└ Sumpie can't clamp to the pipe and have a clear view of the water level	Page 12
---	---------

The light on Sumpie is blinking red; will not connect	Page 13
---	---------

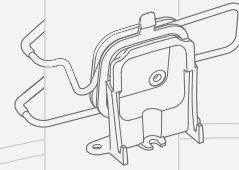
## *Troubleshooting*





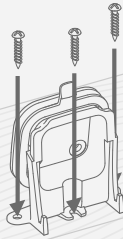
### THE SUMP PIT HAS A LID WITH A HOLE

Detach the metal clip from the mounting holster. Use the included screws to mount the base of the holster to the sump pit lid.



### THERE IS NO HOLE IN THE SUMP PIT LID

Snap the mounting holster onto to the sump pit's pipe. The top of Sumpie should be in line with the lid of the sump pit.



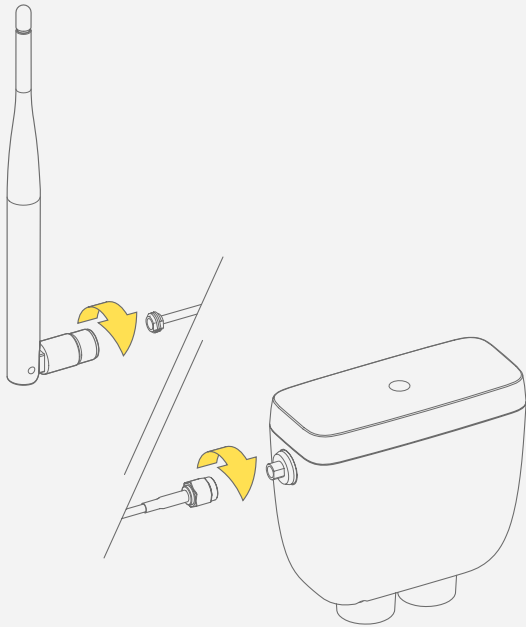
### THE SUMP PIT DOES NOT HAVE A LID

Detach the metal clip from the mounting holster. Use the included screws to mount the base of the holster to a wooden beam or other support you might lay across the sump pit.



### THERE IS NO HOLE IN THE SUMP PIT LID, AND NO ROOM ON THE SUMP PIT PIPE

Detach the metal clip from the mounting holster. Use the included screws to attach the holster to the inner wall of the sump pit. The top of Sumpie should be in line with the lid of the sump pit.



## *Need help?*

For additional support, visit [alertlabs.com/support](https://www.alertlabs.com/support) or contact us at [help@alertlabs.com](mailto:help@alertlabs.com)

### **SUMPIE CANNOT ESTABLISH A CELLULAR CONNECTION**

If after 5 minutes of being on, the light on Sumpie is still blinking red, you may need to use the antenna extension cable.

Unscrew the antenna. Screw the connector from one end of the extension cable onto Sumpie, and the other end onto the antenna. You will need to place and secure the antenna in an elevated location, away from metal structures (wires, pipes, beams, etc).

