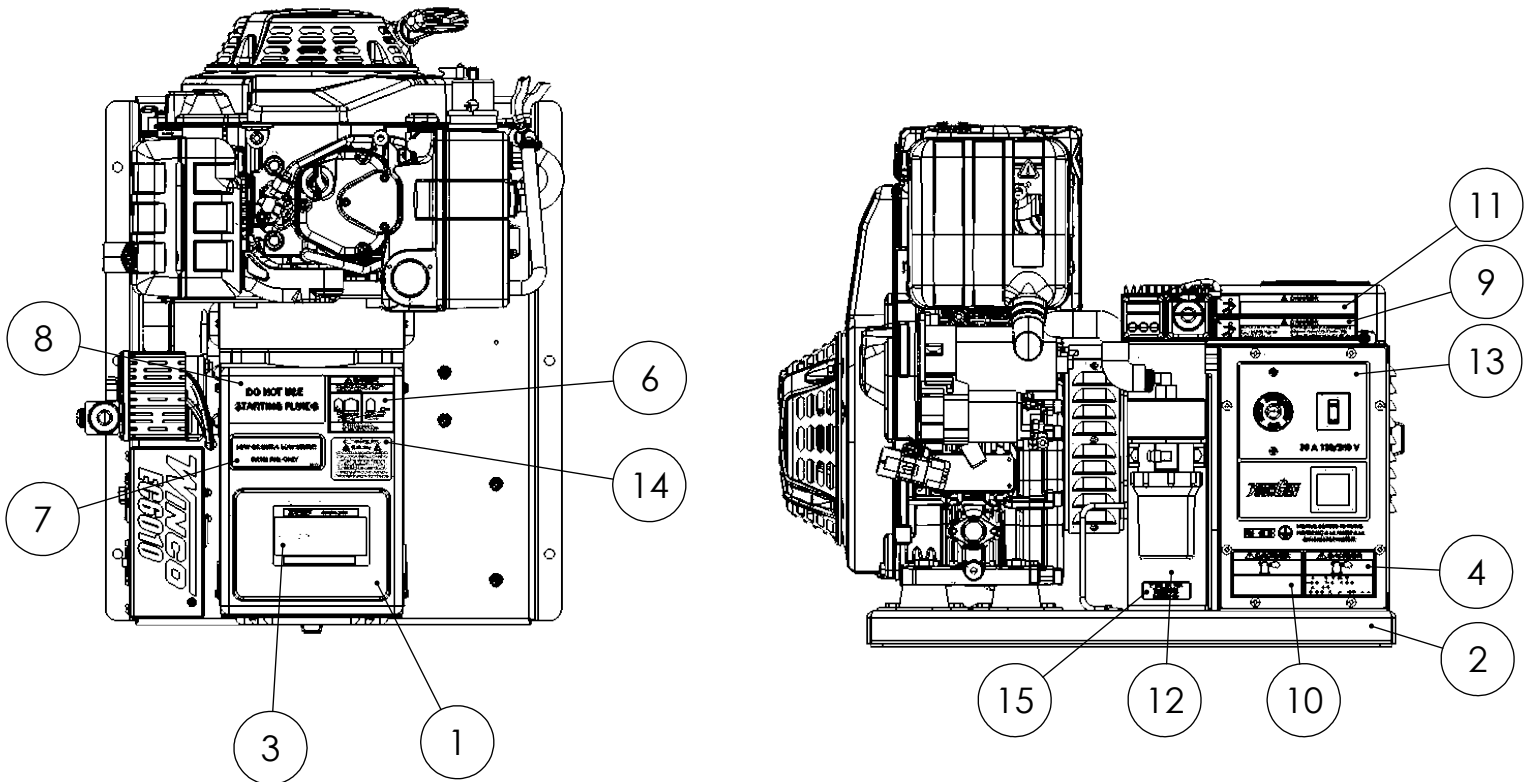
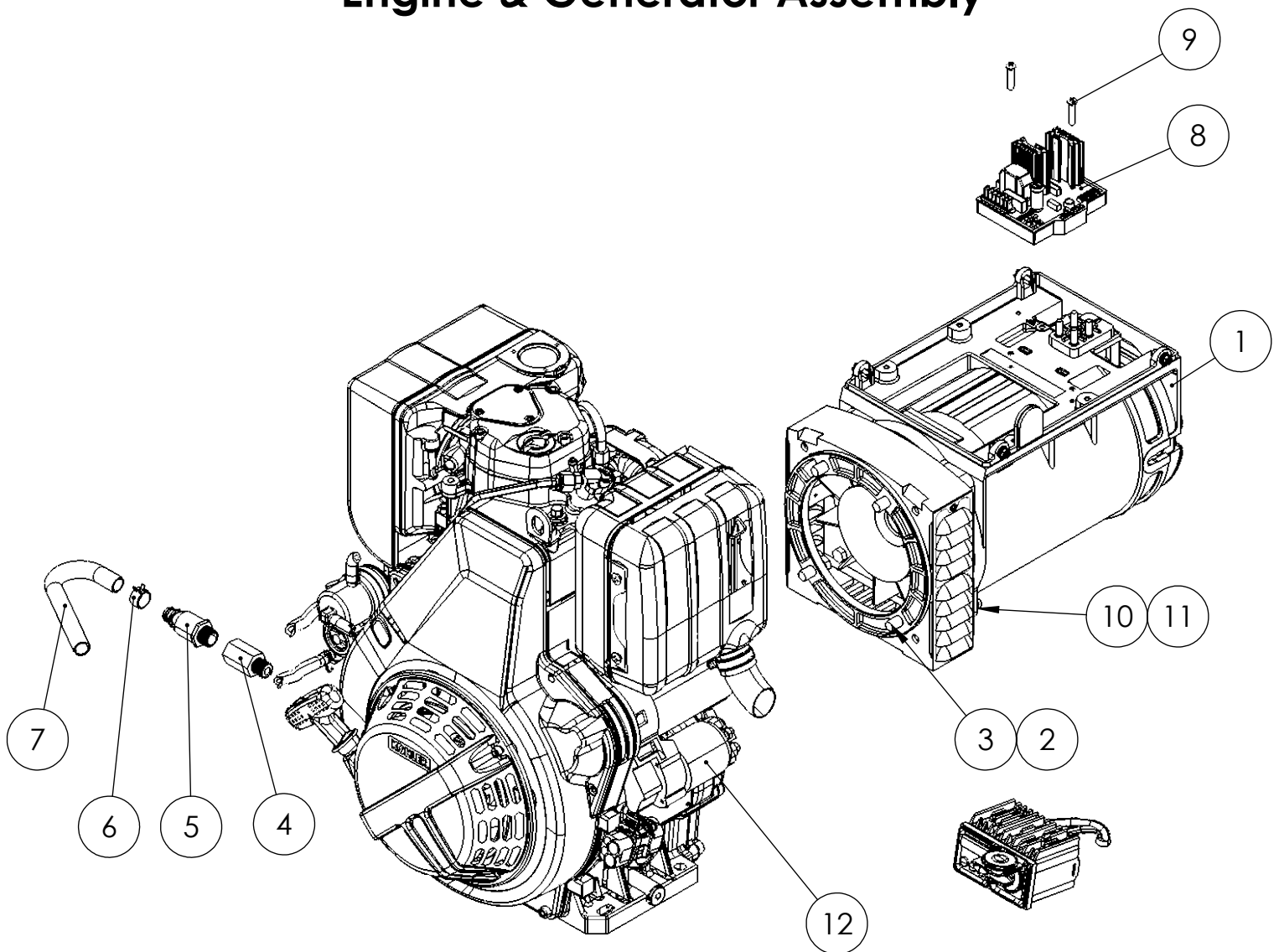


General Assembly



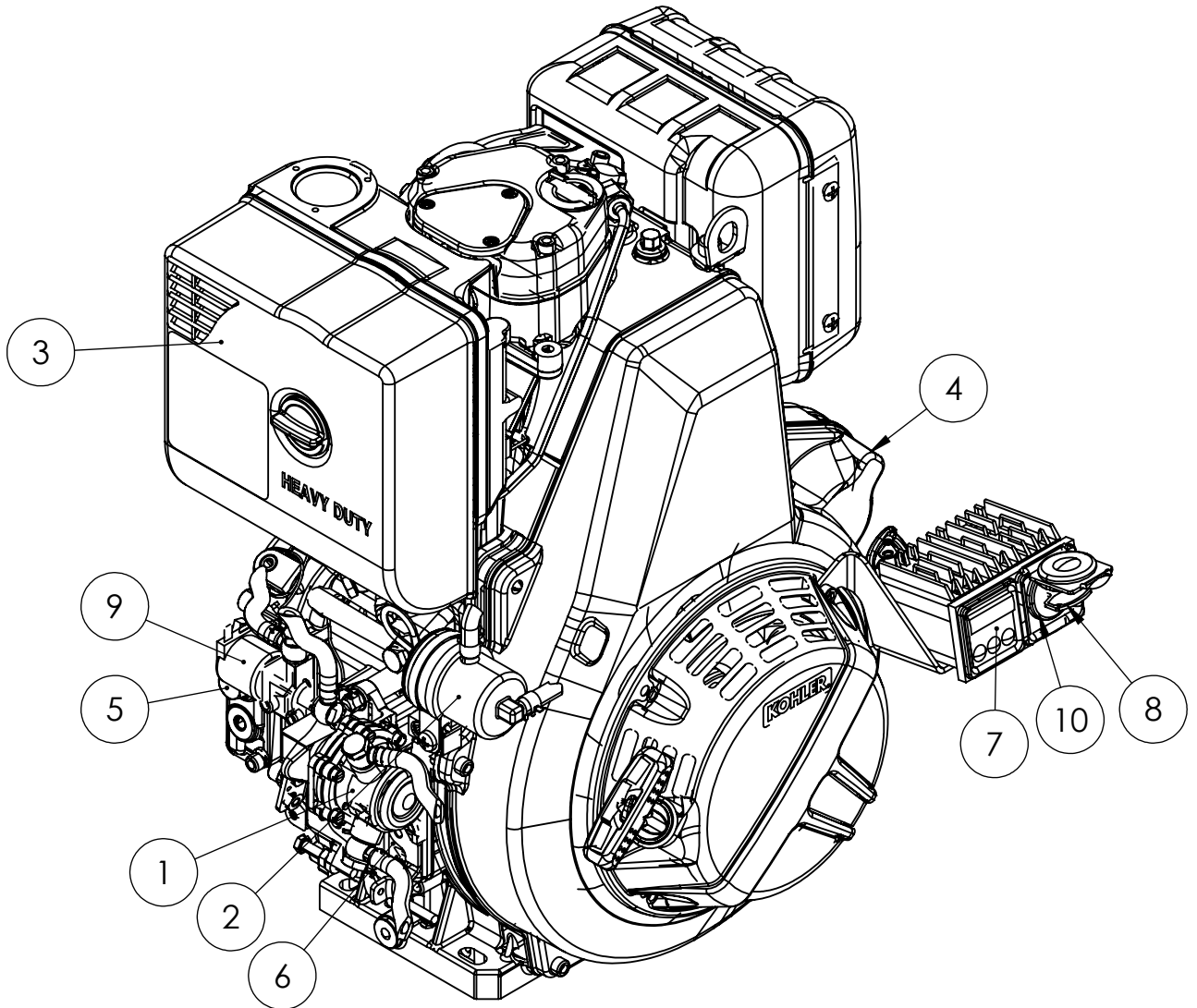
ITEM NO.	PART NUMBER	DESCRIPTION	QTY.
1	18000-059	ENGINE & GENERATOR COUPLING	1
2	18000-045	BASE ASSEMBLY	1
3	63966-004	NAMEPLATE, WINCO PORTABLE	1
4	15209-002	DECAL - DANGER CARBON MONOXIDE	1
5	60710-018	OIL WARNING TAG	1
6	64918-000	DECAL-DANGER (CO) USE OUTSIDE	1
7	97381-001	DECAL-DIESEL FUEL ONLY	1
8	97382-000	DECAL-DO NOT USE STARTING FLUIDS	1
9	15209-003	UL-DECAL ELECTRICAL SHOCK CAN KILL	1
10	15209-102	DECAL - DANGER CARBON MONOXIDE	1
11	15209-103	UL-DECAL ELECTRICAL SHOCK CAN KILL	1
12	15869-006	FUEL PUMP SYSTEM	1
13	15457-082	RECEPTACLE PANEL ASSEMBLY	1
14	15209-036	PROP 65 WARNING DECAL	1
15	16200-514	MAINT KIT DECAL	1
16	OPM-125	OPERATORS MANUAL EC6010	1
17	300515-2	10W-30 OIL PER GALLON	0.325

Engine & Generator Assembly



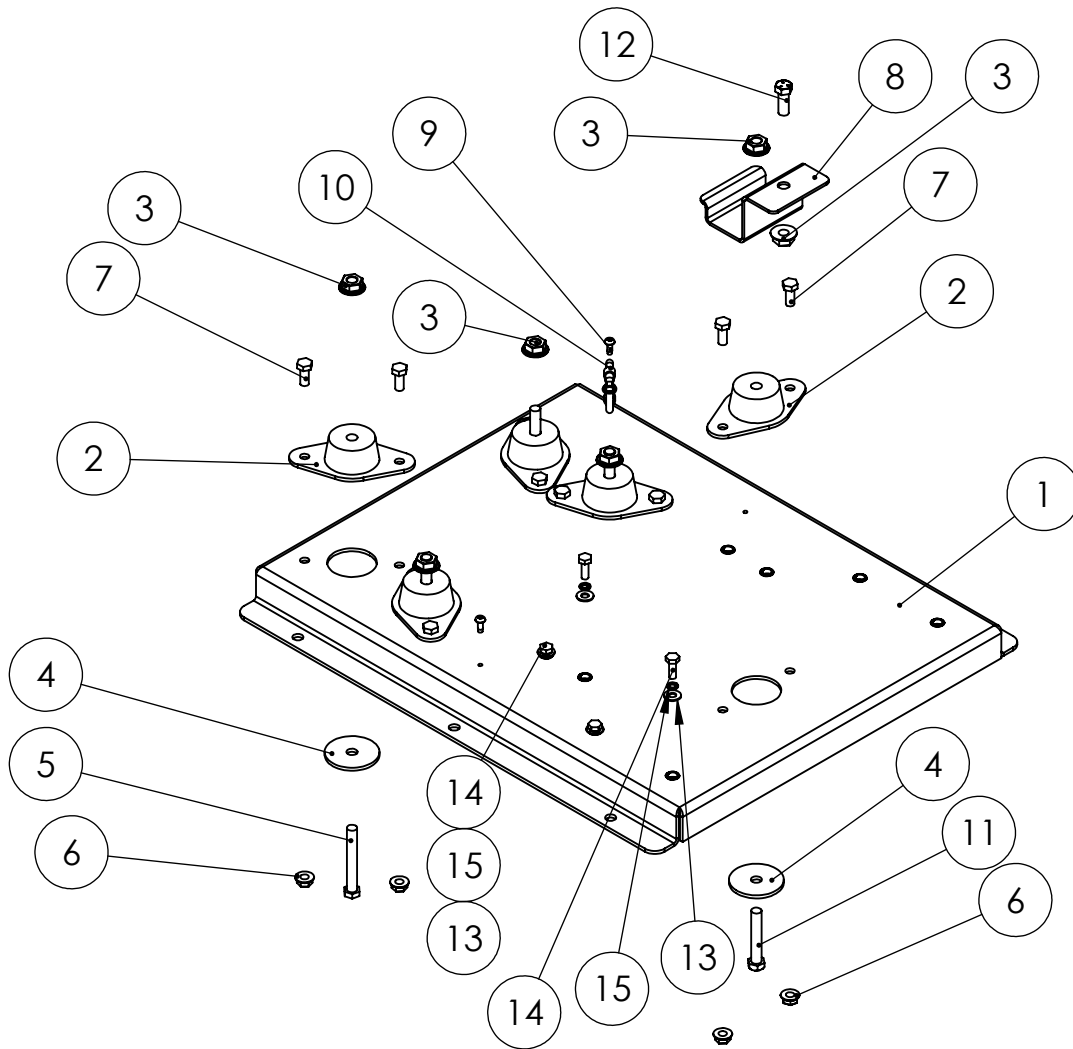
ITEM NO.	PART NUMBER	DESCRIPTION	QTY.
1	16346-027	GENERATOR END	1
2	481-000	LOCK .375 SPLIT	4
3	91658-001	HHCS 3/8-16X1	4
4	300349-1	OIL DRAIN ADAPTER	1
5	300349	OIL DRAIN VALVE	1
6	62999-004	HOSE CLAMP .69 OD	1
7	62286-012	HOSE, 1/2"ID NEOPRENE	1
8	16346-420	VOLTAGE REGULATOR	1
9	420-002	CHMS M4-0.7 x 25mm PHILLIPS	2
10	16446-000	M8-1.25 NYLOCK	4
11	64908-001	HHCS M8-1.25X35MM 8.8GR ZINC	4
12	300116-7	ENGINE, KOHLER, PA-KD440-6001A	1

Engine Parts



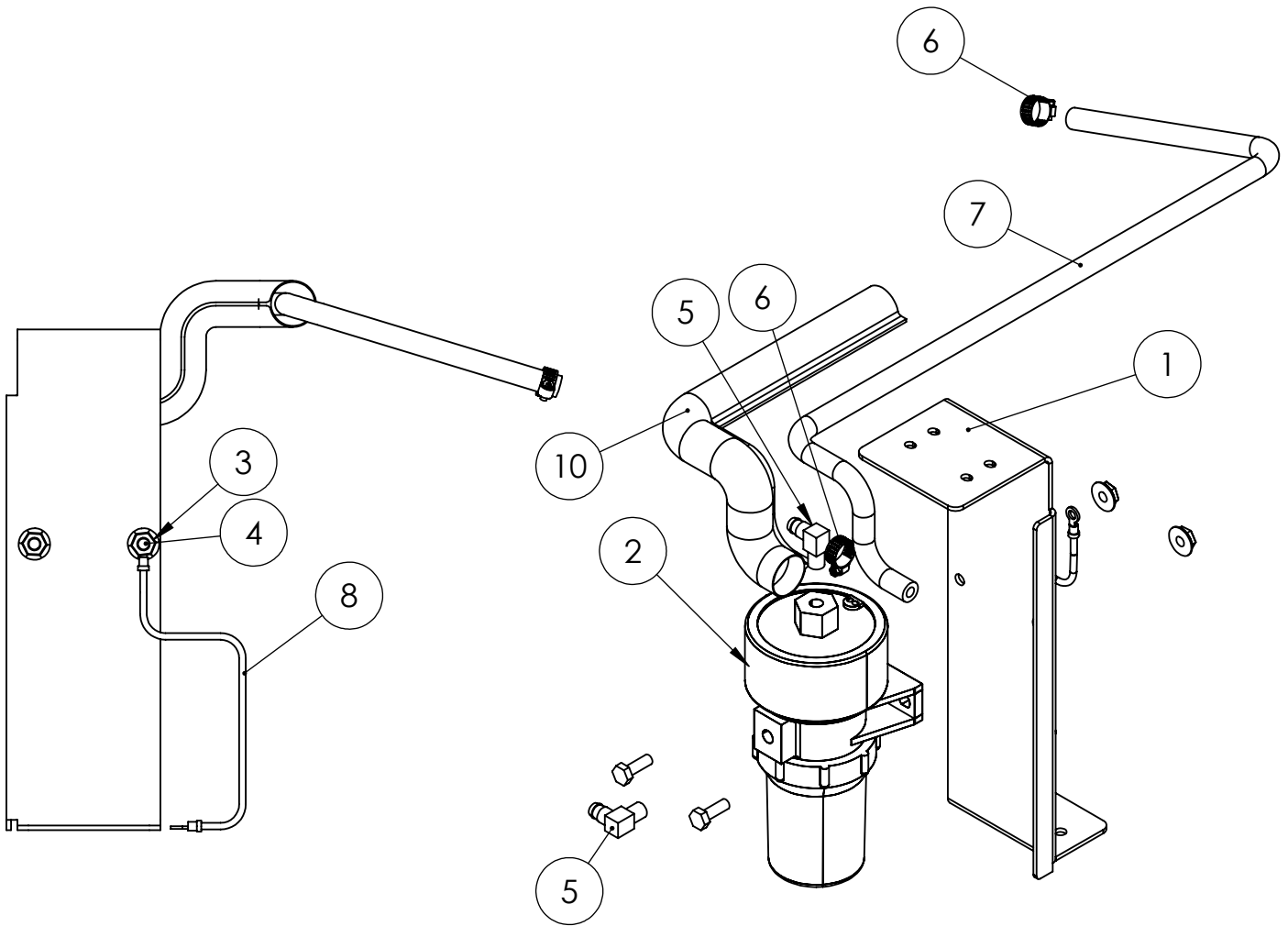
ITEM	PART	DESCRIPTION	QTY
1	3-100	FUEL FILTER	1
2	3-101	FUEL PUMP	1
3	3-102	AIR FILTER ELEMENT	1
4	3-103	STARTER MOTOR	1
5	3-104	OIL PRESSURE SWITCH	1
6	3-105	OIL FILTER (INTERNAL TO BLOCK)	1
7	3-106	CONTROL PANEL (WITH KEY)	1
8	3-107	START KEY	1
9	3-108	FUEL SOLENOID	1
10	3-122	KEY SWITCH	1
Contact service for other engine parts as needed.			

Base & Hardware Assembly



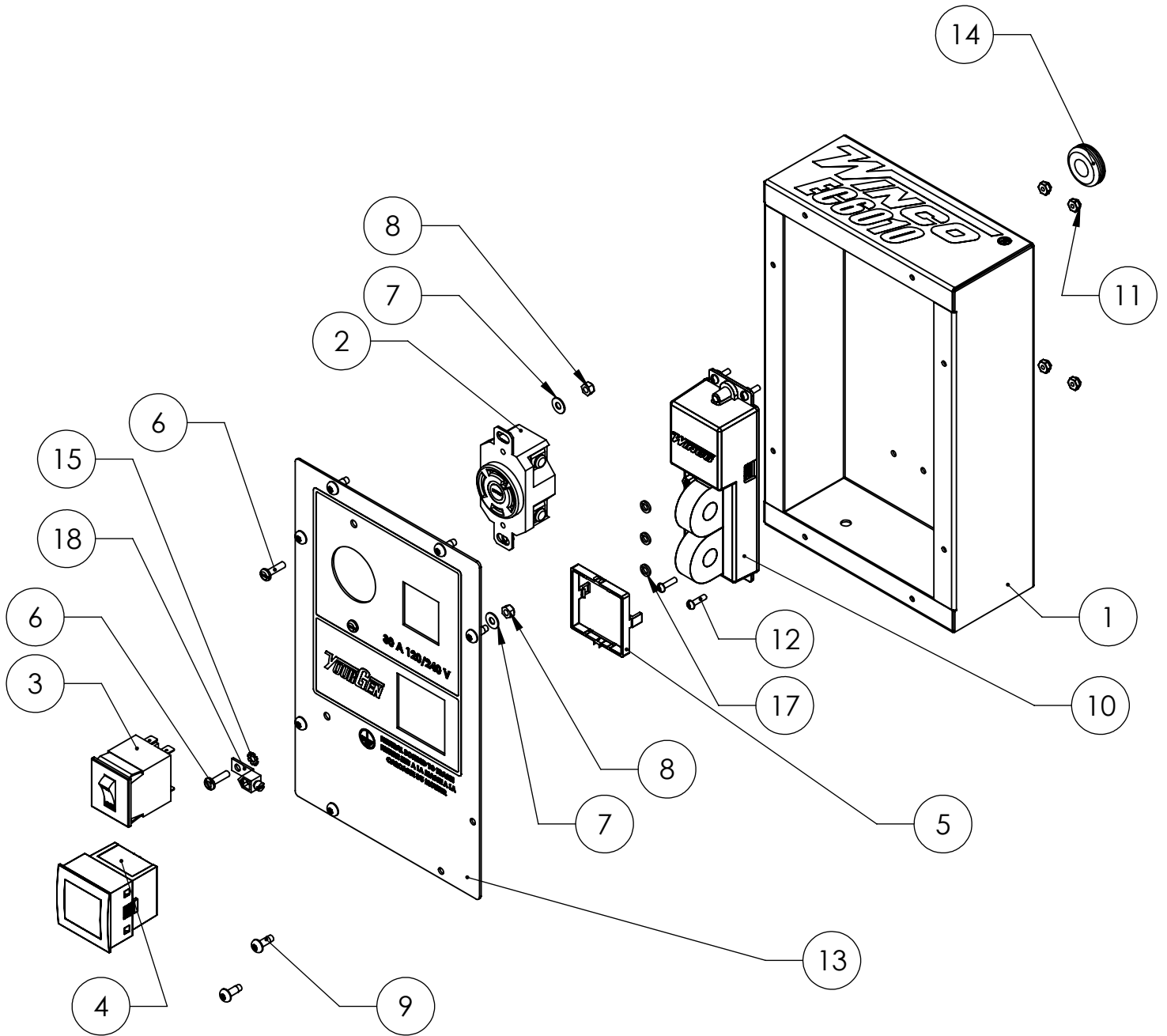
ITEM NO.	PART NUMBER	DESCRIPTION	QTY.
1	15797-004	BASE	1
2	98807-002	SHOCK MOUNT	5
3	16250-000	.375-16 FLANGE NUT	6
4	98806-000	WASHER .406 X 2	5
5	91658-008	HHCS 3/8-16X2-3/4 GR5	4
6	16249-000	.3125-18 FLANGE	10
7	467-000	HHCS 5/16-18X.75	10
8	16335-024	GENERATOR SUPPORT BRACKET	1
9	21698-001	TORX PAN HEAD SCREW #10	2
10	9769-148	LEAD WIRE ASSEMBLY	1
11	91658-006	3/8-16X2-1/4 GR5	1
12	91658-001	HHCS 3/8-16X1	1
13	512-000	.25 WASHER	4
14	466-000	.25-20X.75 HHB	4
15	479-000	LOCK WASHER, .25" SPLIT	4

Fuel System



ITEM NO.	PART NUMBER	DESCRIPTION	QTY.
1	15799-011	FUEL PUMP MOUNTING BRACKET	1
2	81332-004	FUEL PUMP	1
3	16248-000	.25-20 FLANGE NUT	2
4	466-000	.25-20X.75 HHB	2
5	81827-000	HOSE FIT.EL. 1/8NPT X 1/4 HOSE BARB	2
6	81018-009	HOSE CLAMP .625-.250	2
7	40078-022	HOSE .25 ID 29 IN	1
8	9769-163	LEAD WIRE ASSEMBLY	1
9	49975-014	STAINLESS STEEL CABLE TIE 8"	2
10	62625-004	12IN HEAT SLEEVE	1
11	2489-004	IN-LINE FUSE HOLDER	1
12	95064-006	FUSE AGC 10 AMP	1
13	7547-001	TERMINAL RING 16/14AWG 3/8 STUD	1
14	48602-003	TERMINAL FEMALE 16-14 AWG .250 TAB	2
15	48602-004	TERMINAL MALE 16-14 AWG .250 TAB	2
16	81332-005	FUEL FILTER ELEMENT FOR FUEL PUMP 81332-004	1

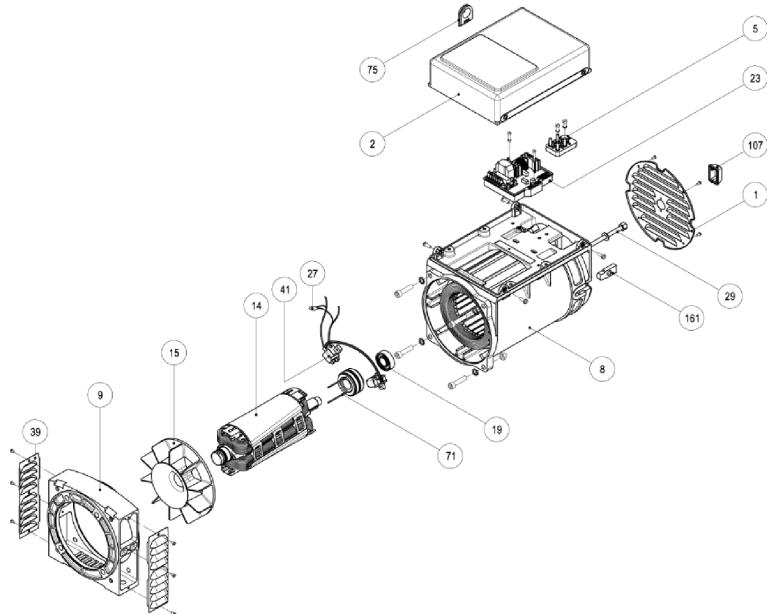
Receptacle Assembly



Receptacle Assembly

ITEM NO.	PART NUMBER	DESCRIPTION	QTY.
1	15221-061	RECEPTACLE BOX	1
2	97360-000	RECEPTACLE, NEMA L14-30R 120_240V	1
3	57030-015	30A 2PL BREAKER	1
4	58166-009	DISPLAY MODULE	1
5	58166-009	DISPLAY MODULE MOUNTING CLIP	1
6	24198-001	BHMS #8-32 x .625 BLACK	3
7	511-000	#8 FLATWASHER	3
8	95985-000	#8-32 NYLOK HEX NUT	3
9	21698-001	TORX PAN HEAD SCREW #10	8
10	58166-010	TERMINAL BLOCK MODULE	1
11	51802-000	NUT HEX #6-32 NYLOCK	4
12	7792-001	BZ RHMS 6-32X.5	4
13	15458-082	RECEPTACLE BOX COVER	1
14	40730-000	GROMMET .5ID X .8125	1
15	21976-000	#8 LOCKWASHER EXTERNAL TOOTH	1
16	58165-18	DISPLAY MODULE CABLE	1
17	484-000	LOCKWASHER #10 SPLIT	3
18	48042-001	TERMINAL, GROUND LUG, 6-14AWG	1

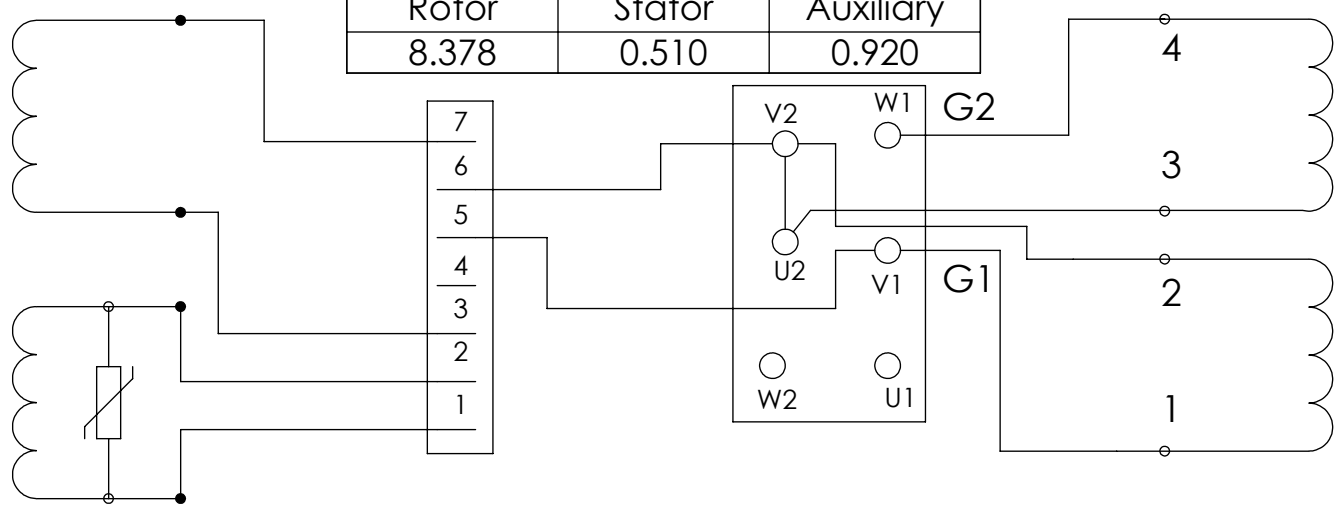
Generator Information



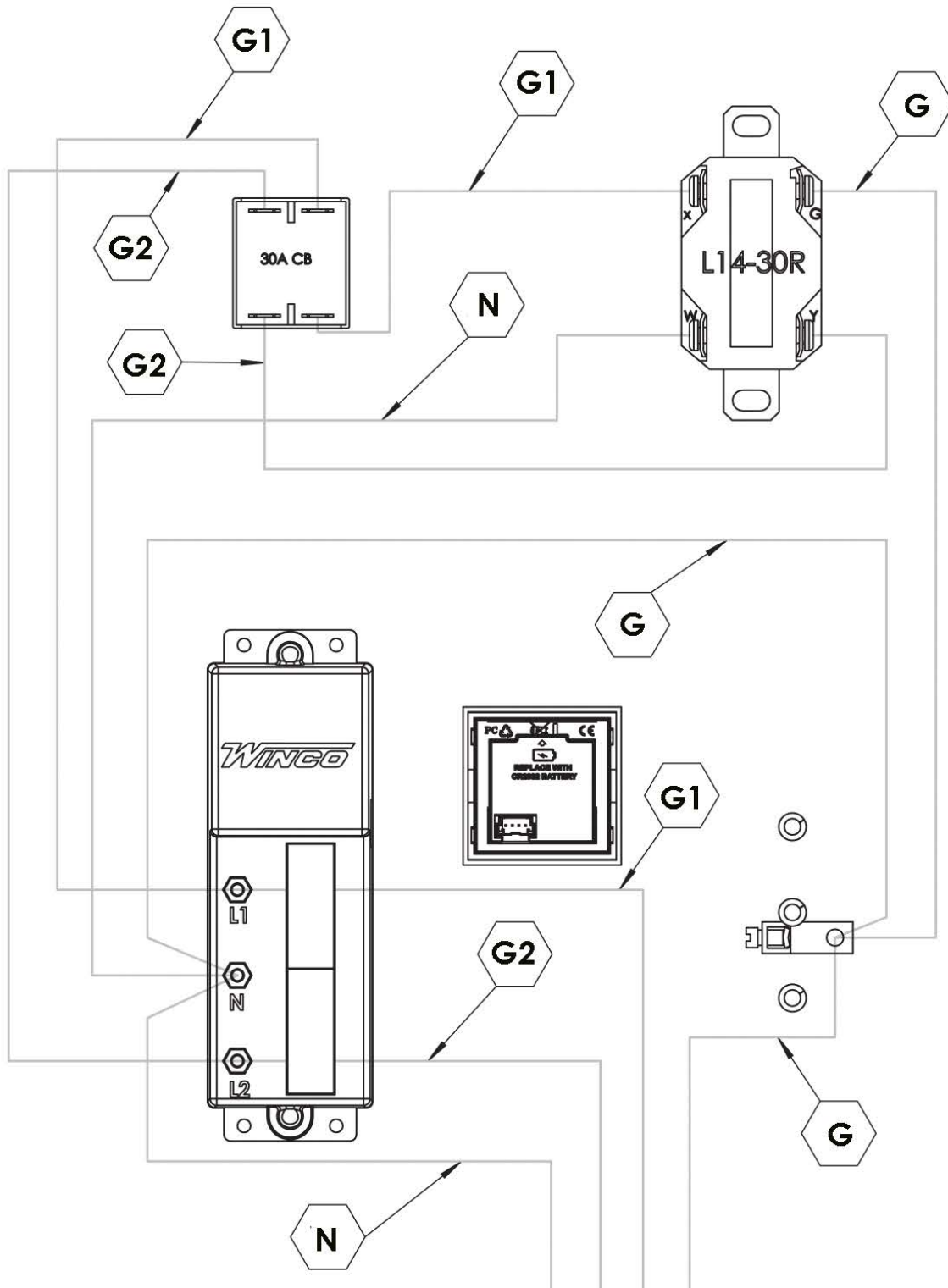
REF #	PART NUMBER	QTY	DESCRIPTION
	16346-027	1	COMPLETE GENERATOR ASSEMBLY
1	9-119	1	GRID
2	300322-410	1	COVER
5	9-121	1	TERMINAL BLOCK
9	9-123	1	END BRACKET
15	9-118	1	FAN
19	9-120	1	BEARING
23	16346-420	1	ASR ELECTRONIC REGULATOR
27	16346-106	1	VARISTOR
29	9-122	1	THROUGH BOLT
39	9-124	1	SCREEN PROTECTION
41	9-103	1	BRUSH GEAR ASSEMBLY
75	9-104	1	RUBBER GROMMET
107	9-105	1	END CAP

NOTES: ROTOR AND STATOR NOT SOLD SEPARATELY. PURCHASE COMPLETE GEN END.

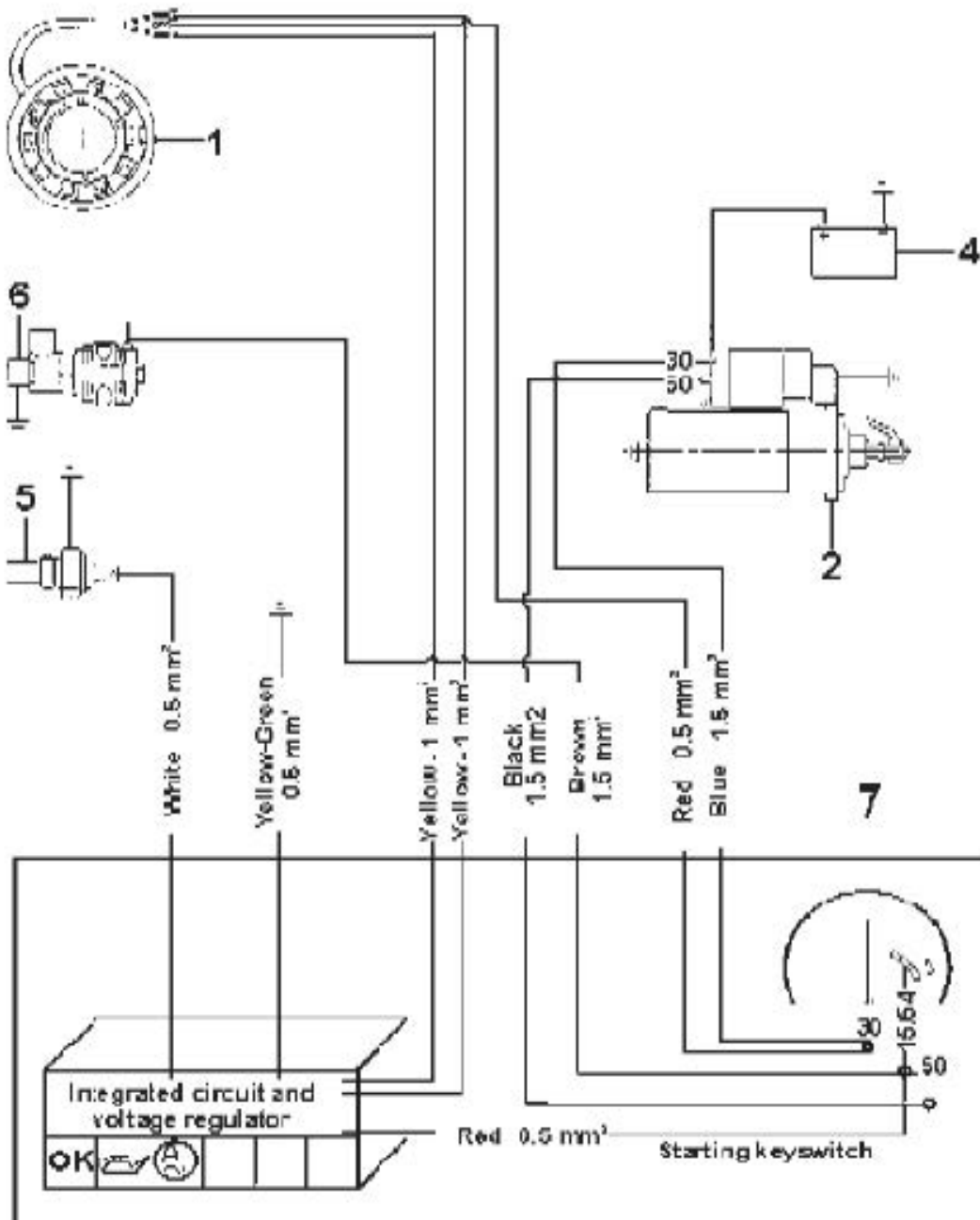
ES16F-160 Expected Resistance (Ω)		
Rotor	Stator	Auxiliary
8.378	0.510	0.920



Receptacle Wiring Diagram



Engine Wiring Diagram



1	Alternator
2	Starter Motor
4	Battery
5	Pressure Switch
6	Solenoid Valve
7	Ignition Switch