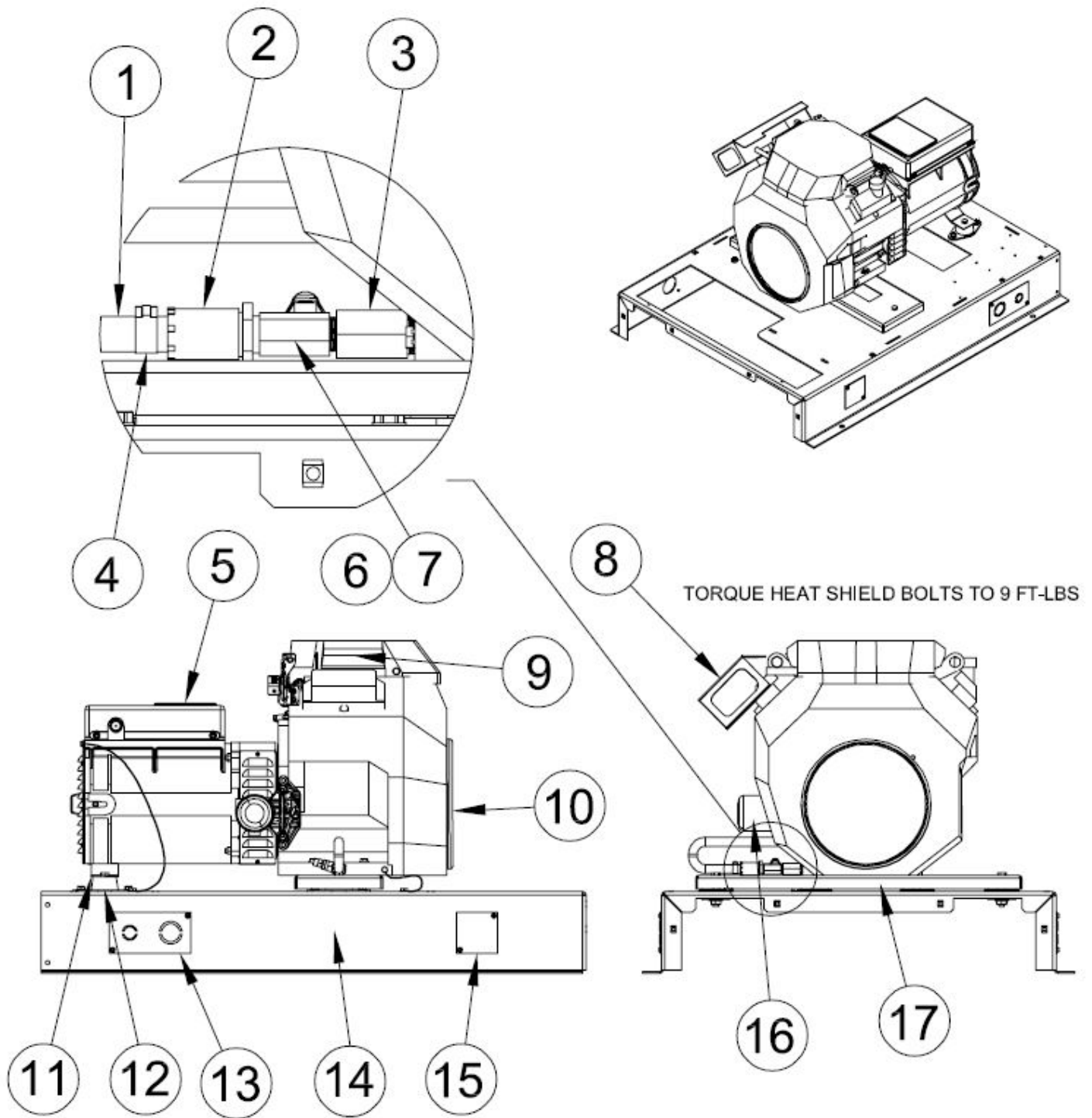


GENERATOR SPECIFICATIONS:

STATOR:	0.209 Ohms
ROTOR:	6.57 Ohms
CAPACITOR LEADS:	0.60 Ohms

ENGINE / GENERATOR ASSEMBLY

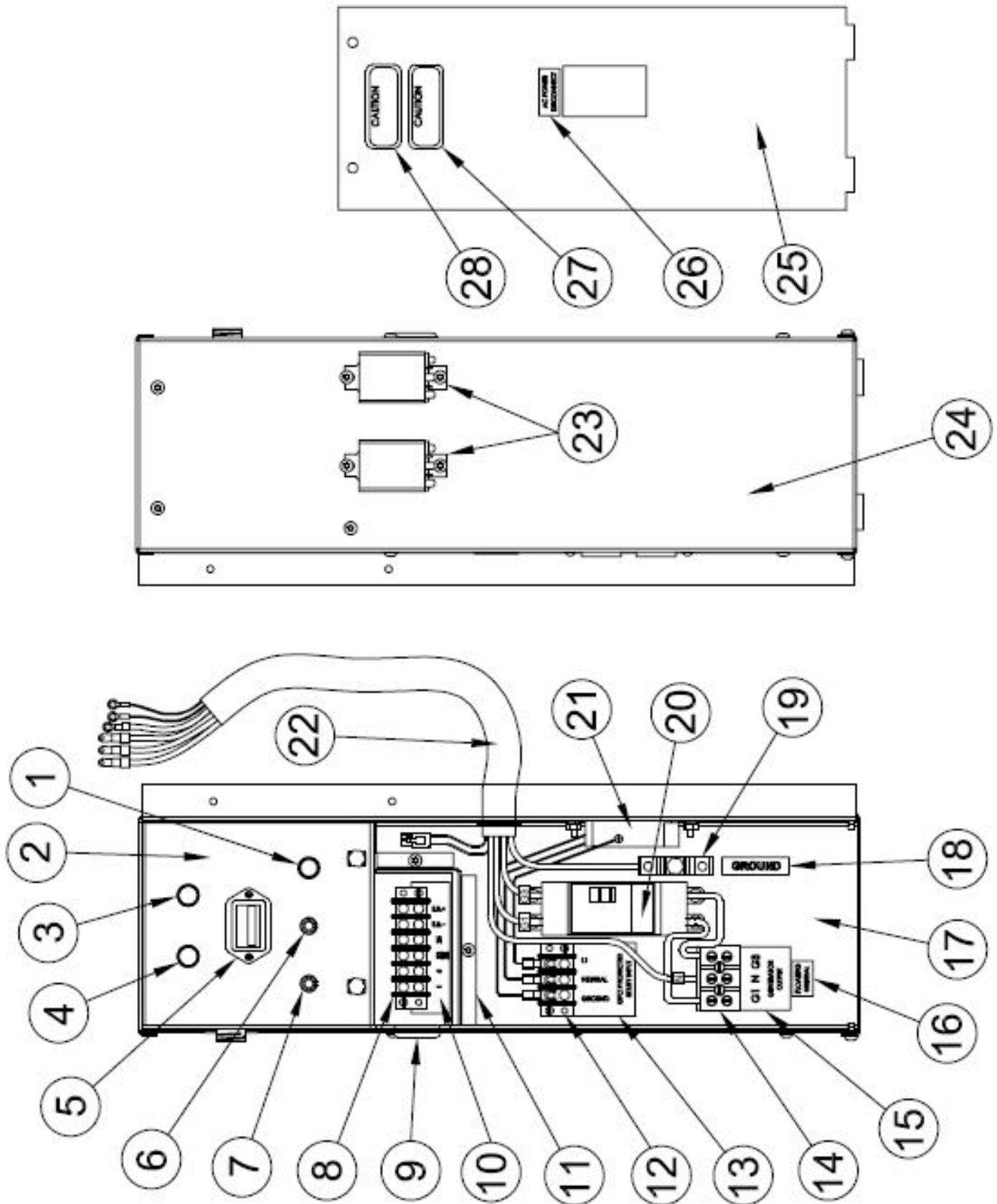


ENGINE / GENERATOR ASSEMBLY

REF #	PART NUMBER	QTY	DESCRIPTION
1	62286-000	12"	Hose
2	300349	1	Oil Drain Valve
3	300349-2	1	Oil Drain Adapter
4	62999-004	1	Hose Clamp
5	351836-1	1	Generator: Mecc Alte Spa Model: S20FS-160/A
6	99967-000	1	Street Tee Fitting
7	15808-000	1	High Oil Temperature Switch
8	15687-009	1	Heat Shield
9	17210-Z6L-900 17218-Z6M-000	1* 1*	Air Filter Outer Air Filter
10	99780-002	1	Engine: Honda Model: GX690 VXC2 Code: GDACK
11	16430-101	1	Generator Support
12	98807-000	4	Shock Mount
13	300385-5	2	Lifting Eye Cover
14	16406-106	1	Base
15	300385-4	2	Lifting Hole Cover
16	15400-RTA-004	1*	Oil Filter
17	15636-105	1	Engine Support Tray
NI ⁽¹⁾	ZFR5F-4	2**	NGK Spark Plug

Notes: (1) NI - Not Illustrated; * Honda Part Number; ** NGK Part Number

CONTROL TOWER ASSEMBLY

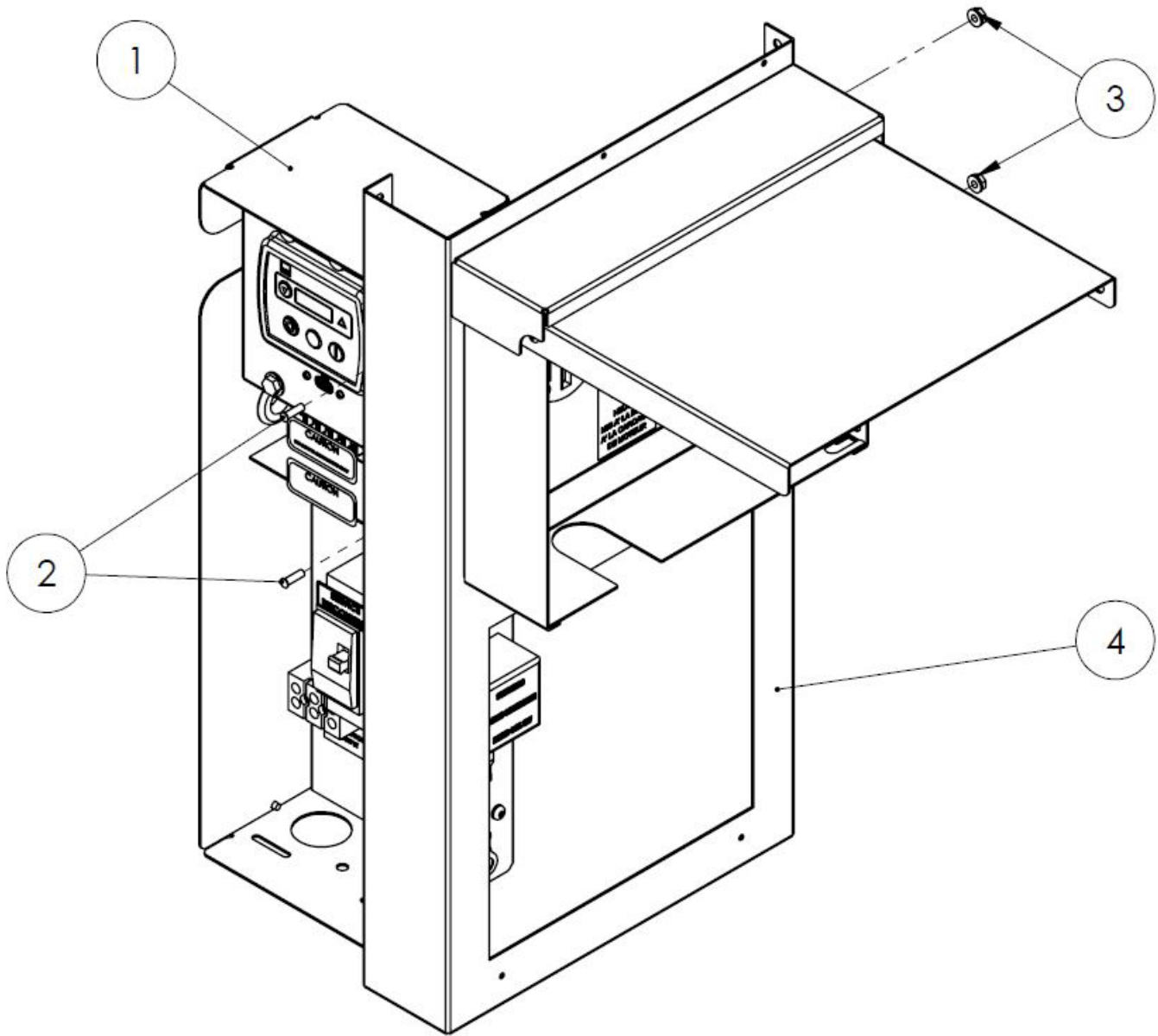


CONTROL TOWER ASSEMBLY

REF #	PART NUMBER	QTY	DESCRIPTION
1	64897-001	1	Indicator Light
2	15764-014	1	4-Wire Engine Control Assembly
3	95064-006	1	10 Amp Fuse
4	95064-008	1	2 Amp Fuse
5	58166-006	1	Running Time Meter
6	95894-001	1	Toggle Switch (on) - on - off
7	71215-002	1	Toggle Switch on - none - on
8	80623-000	1	6 Point Terminal Block
9	23917-000	1	Grommet
10	64576-018	1	Remote Start Decal
11	300309-3	1	DC Box
12	80623-005	1	3 Point Terminal Block
13	64576-006	1	GFCI Protected Decal
14	51795-000	1	3 Point Terminal Block
15	64576-005	1	Generator Output Decal
16	16501-000	1	Floating Neutral Decal
17	15666-008S	1	MLCB Panel
18	15750-001	1	Ground Decal
19	48042-000	2	Ground Lug
20	57030-000	1	50 Amp 2-Pole Circuit Breaker
21	24749-000	1	NEMA 5-15R Receptacle
22	9700-001	1	AC Lead-Wire Assembly
23	59944-002	2	SPDT Relay
24	15667-011S	1	Tower
25	15666-009S	1	MLCB Cover
26	16502-001	1	AC Power Disconnect Decal
27	16503-000	1	Copper Conductors Only Decal
28	63941-005	1	Circuit Energized Decal
NI	16287-000	1	Battery Tender
NI	15757-030	1	DC Harness
NI	21698-001	19	Torx Screws
NI	16454-001	1	Trans. Voltage Suppressor
NI	2489-001	2	Fuse Holder

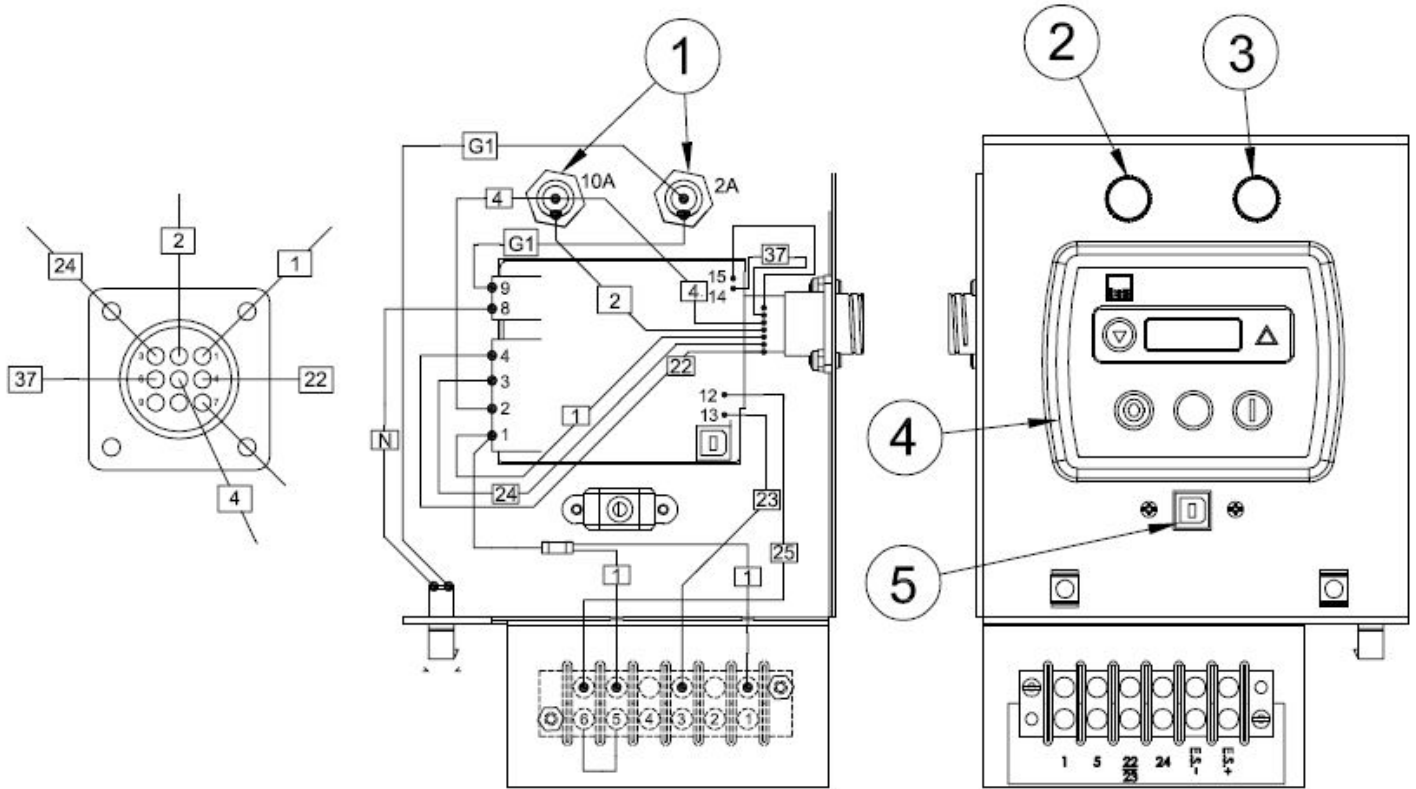
Notes: (1) NI - Not Illustrated. (2) 2-Wire engine control assembly: 15764-015, used if the gen-set is converted to a 2-Wire start generator.

SOLAR CONTROL TOWER AND RIGHT BACK CORNER ASSEMBLY



REF #	PART NUMBER	QTY	DESCRIPTION
1	15757-036	1	Control Tower Assebmly
2	95568-000	2	Thread Stud 10-24 x .625
3	99671-000	2	#10-24 Hex Nut
4	15457-020	1	Back Right Corner Assembly

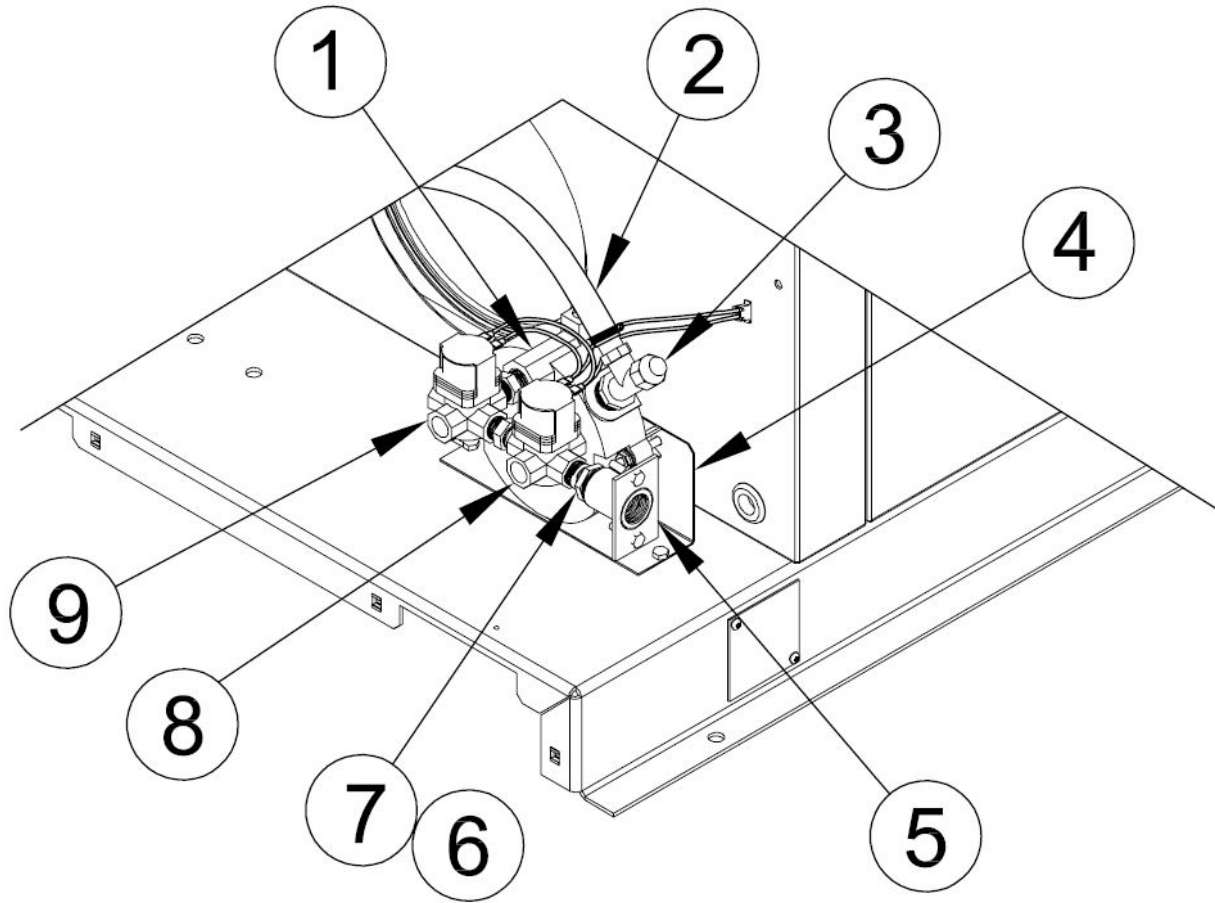
2-WIRE CONTROLLER ASSEMBLY (15764-015)



REF #	PART NUMBER	QTY	DESCRIPTION
1	2489-001	2	Fuse Holder
2	95064-006	1	10 Amp Fuse
3	95064-008	1	2 Amp Fuse
4	351112-5	1	DSE 3110 Controller
5	92844-005	1	USB Cable
NI	64576-018	1	Remote Start Decal

Notes: (1) NI - Not Illustrated

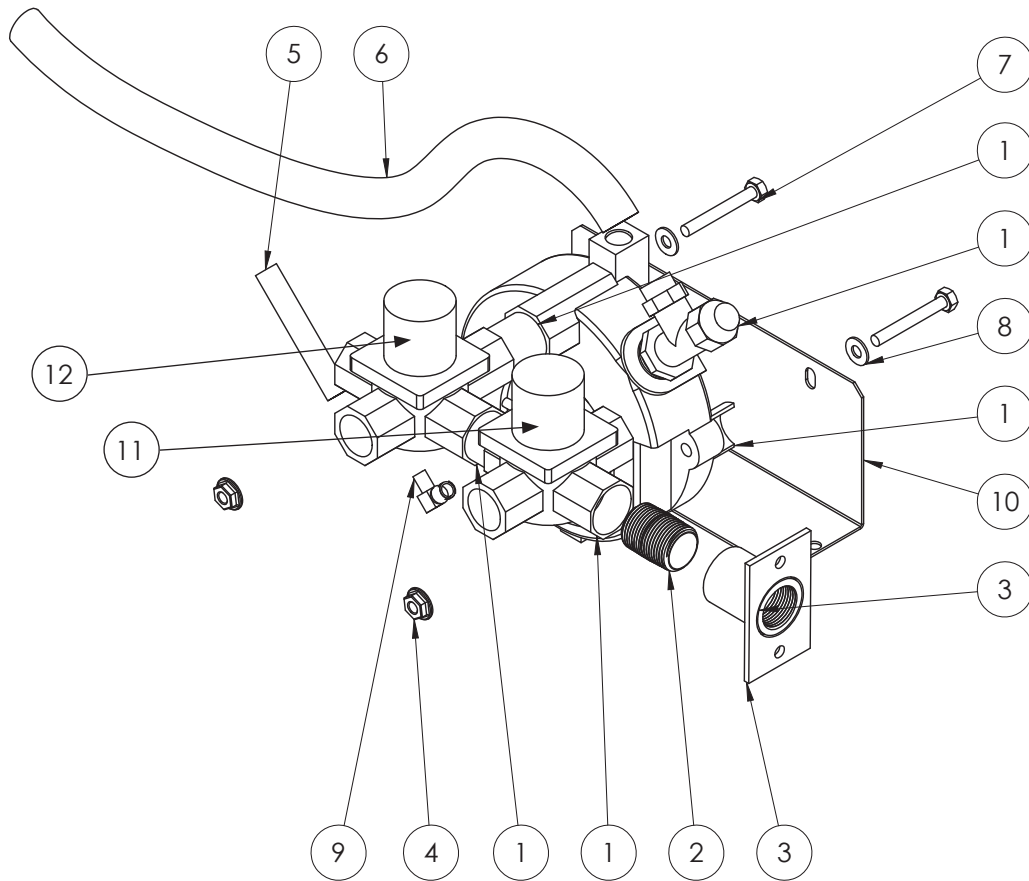
VAPOR FUEL SYSTEM ASSEMBLY (REV E)



REF #	PART NUMBER	QTY	DESCRIPTION
1	16331-407	1	Demand Regulator
2	AH1-30634	40" *	1/2" Fuel Hose with Fitting
3	F4-30637	1*	Tee Fitting
4	99084-000	1	Mounting Bracket
5	99085-013	1	Fuel Inlet Weldment
6	81075-000	1	3/4" to 1/2" Reducer
7	21089-000	1	1/2" Pipe Nipple
8	16331-402	1	Straight Fuel Solenoid
9	16331-403	1	90° Fuel Solenoid
NI	F4-30633	2*	1/2" Hex Nipple
NI	J1-30655-021	1*	Orifice Insert 5.9mm NG
NI	J1-30655-004	1*	Orifice Insert 5.1 mm LP
NI	C2-30035	1*	Cap Nut

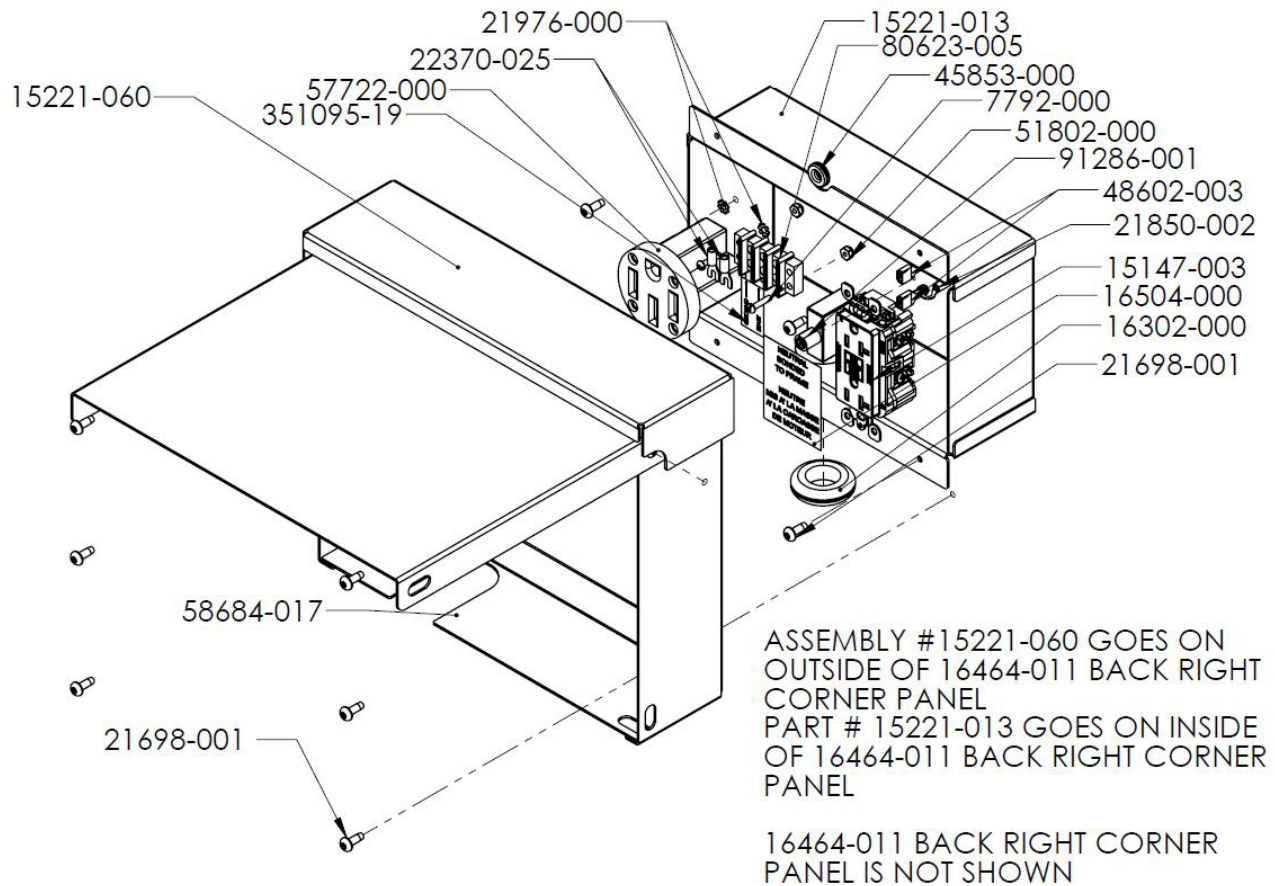
Notes: (1) NI - Not Illustrated; * Impco Part Number

VAPOR FUEL SYSTEM ASSEMBLY (REV F)



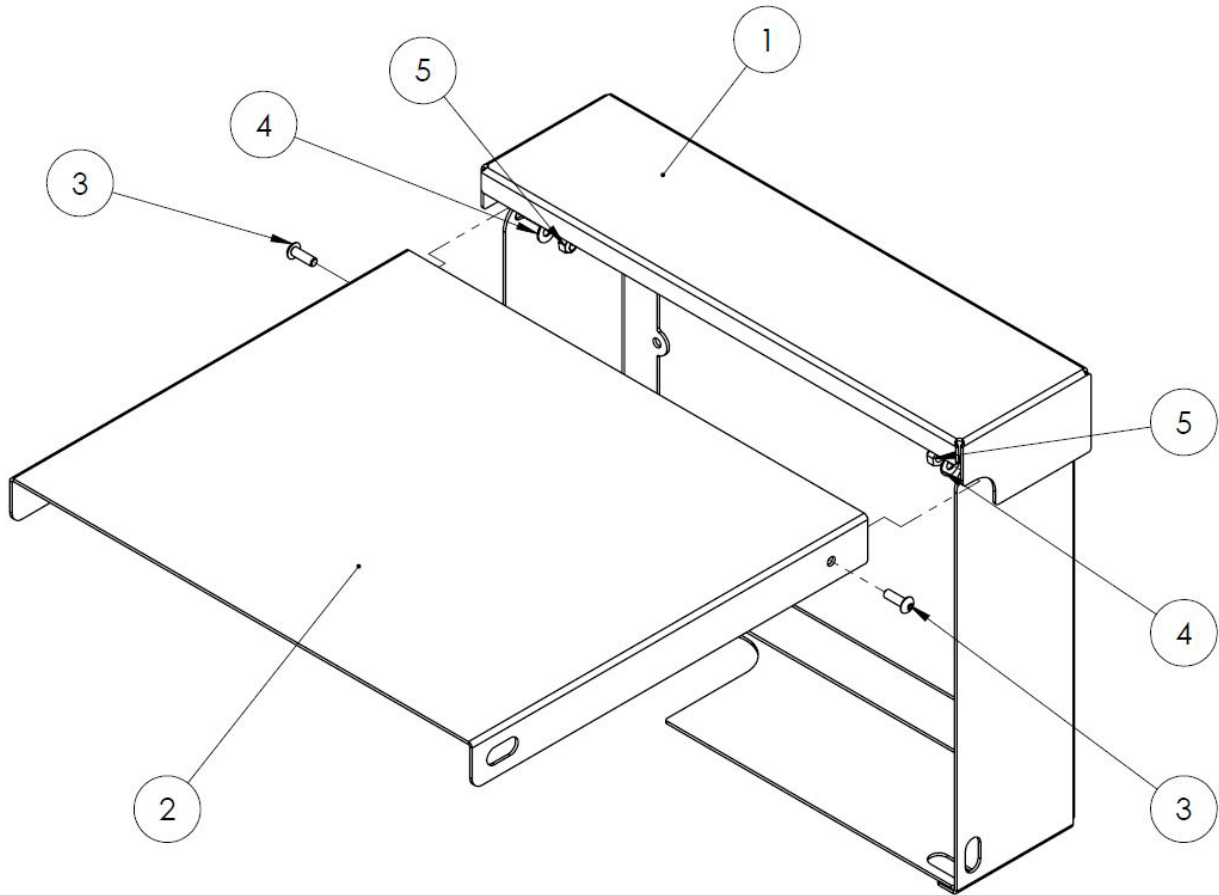
REF #	PART NUMBER	QTY	DESCRIPTION
1	16331-006	1	Honda Fuel Kit
2	22626-000	1	Pipe NPL 3/4NPT Close
3	99805-013	1	Fuel Inlet Assembly
4	16248-000	6	.25-20 Flange Nut
5	40078-008	1	1/4" Fuel Line Cut 24"
6		1	Honda Approved Fuel Line
7	466-002	2	.25-20 x 2 HHB
8	512-000	4	.25 Washer
9	81827-001	1	1/8" HB 90 Deg
10	99084-000	1	Regulator Bracket
11	16331-410	1	Solenoid Valve, 180° Flow
12	16331-411	1	Solenoid Valve, 90° Flow

SOLAR RECEPTACLE PANEL ASSEMBLY



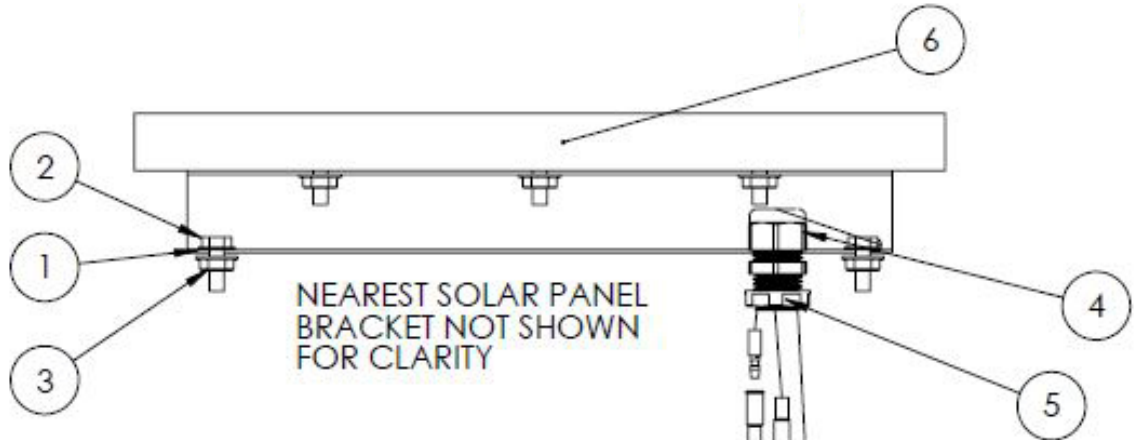
REF #	PART NUMBER	QTY	DESCRIPTION
1	16302-000	1	Grommet .875ID x 1.25
2	45853-000	1	Grommet, 17/64 I.D. x 15/32
3	21698-001	10	10-16 x .372 Torx Screw Black
4	48602-003	2	Terminal Female 16-14 AWG .250 Tab
5	21850-002	1	Terminal Hook 16-14 AWG #10 Stud
6	80623-005	1	Terminal Block, 3PT, 20A
7	7792-000	2	RHMS 6-32 x .625
8	51802-000	2	Nut Hex #6-32 Nylock
9	22370-025	2	Terminal Spade 22-18 AWG #5-#6
10	15221-013	1	Receptacle Box
11	15221-060	1	PSS12 Solar Receptacle Box
12	15147-003	1	Receptacle NEMA 5-20R GFCI
13	57722-000	1	Receptacle, 14-50R 120/240V
14	91286-001	1	Circuit Breaker, 20A, 1PL
15	16464-011	1	Back Right Corner
16	16504-000	1	Decal-Neutral Bonded to Frame
17	21976-000	4	#8 Lockwasher External Tooth
18	351095-19	1	Decal Remote Start

SOLAR RECEPTACLE BOX ASSEMBLY

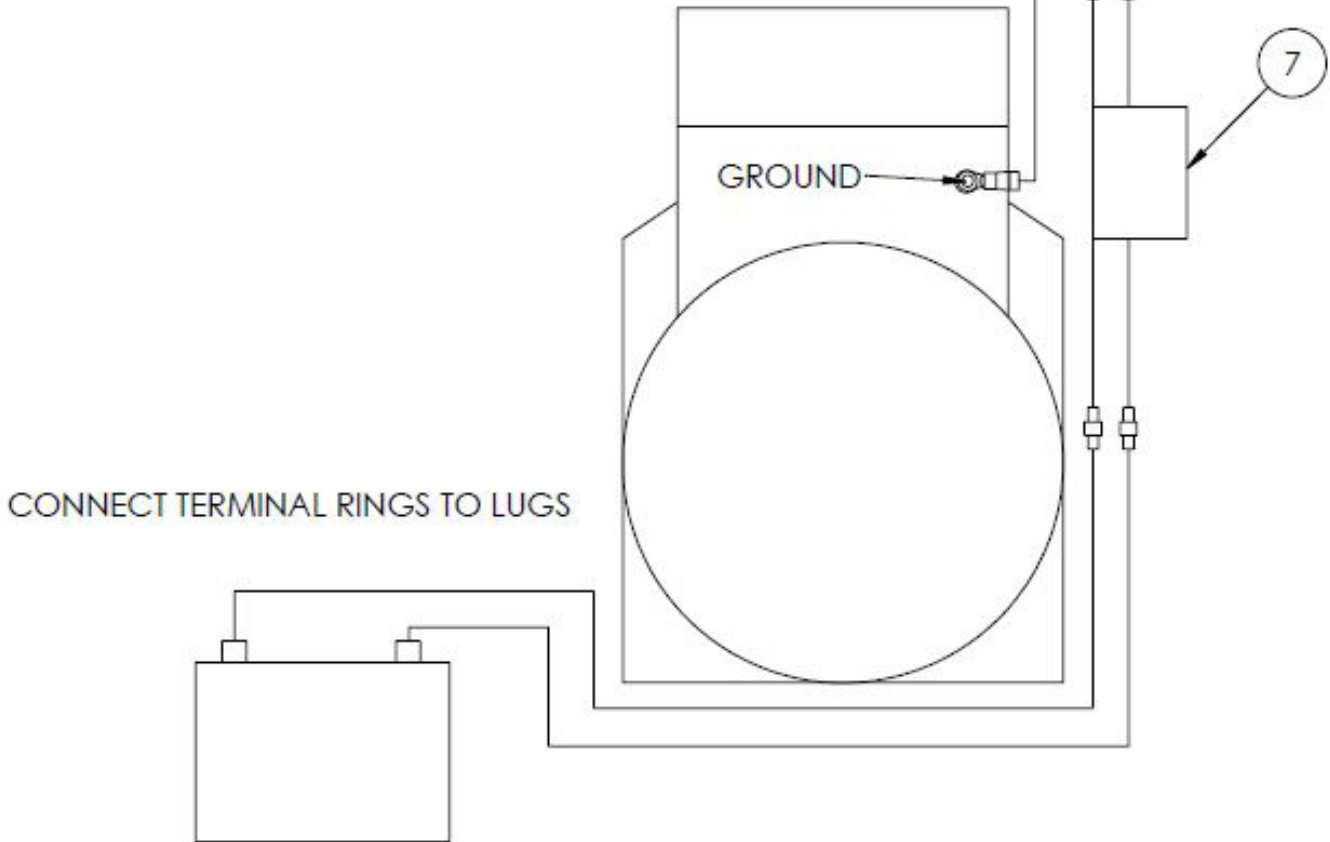


REF #	PART NUMBER	QTY	DESCRIPTION
1	15221-017	1	Panel Box for Receptacles
2	15221-054	1	Cover for Receptacle Panel
3	64858-013	2	8-32 x 1/2" Button Head Cap Screw
4	511-000	2	#8 Flat Washer
5	95985-000	2	#8-32 Nylock Hex Nut

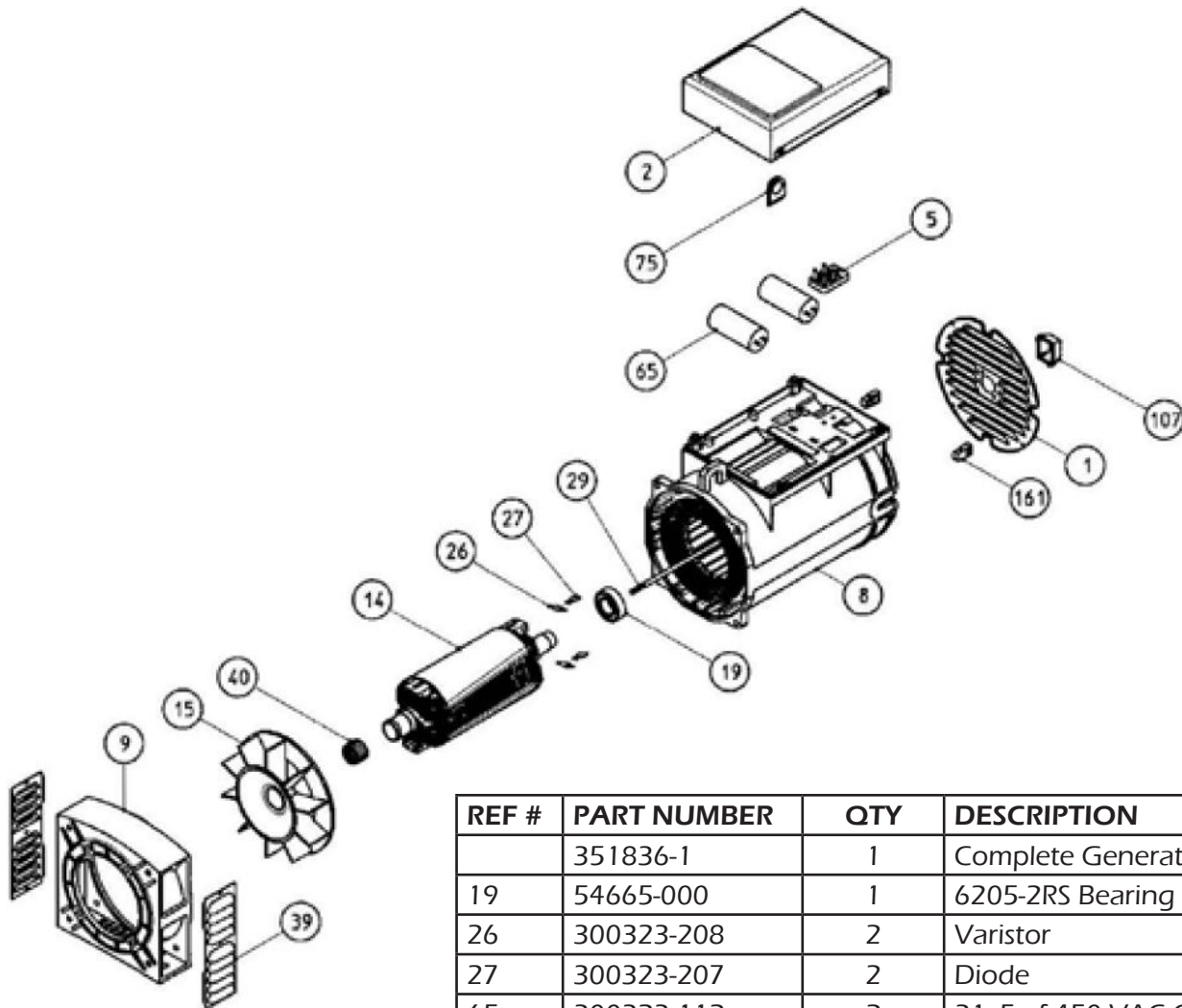
SOLAR CHARGER ASSEMBLY



REF #	PART NUMBER	QTY	DESCRIPTION
1	65005-000	4	.25 Washer SS
2	65000-001	4	.25-20 x .75 SS HHCS
3	65006-000	4	.25-20 Flange Nut SS
4	93073-030	1	Cord Grip .5 NPT
5	22627-001	1	Locknut 1/2 NPT
6	405020-007	1	Solar BAattery Charger Kit 12V 5W .3A
7	300539-3	1	Sunguard Solar Controller



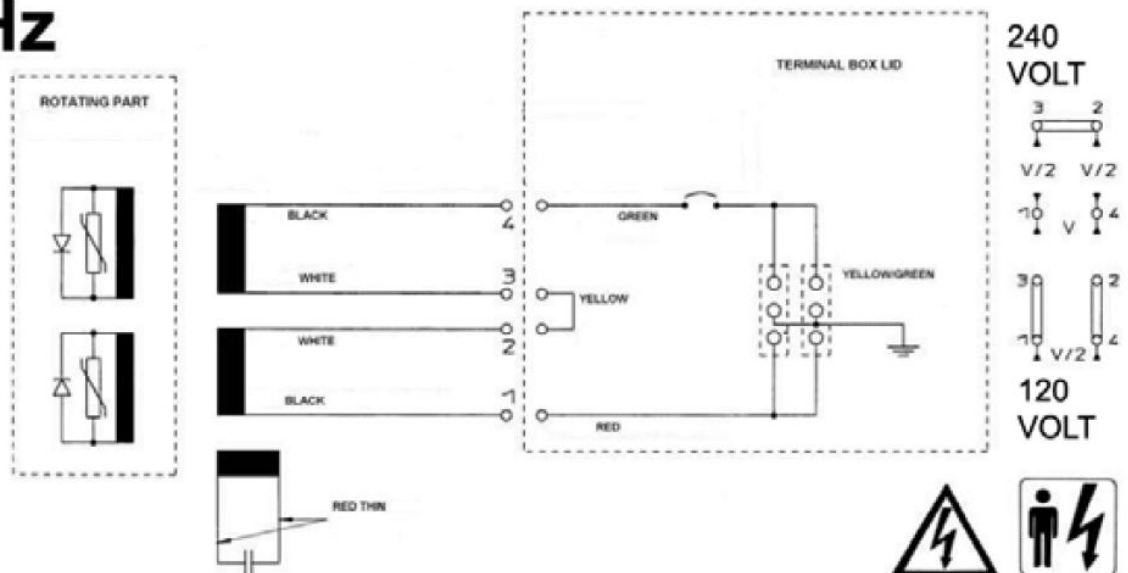
GENERATOR END ASSEMBLY



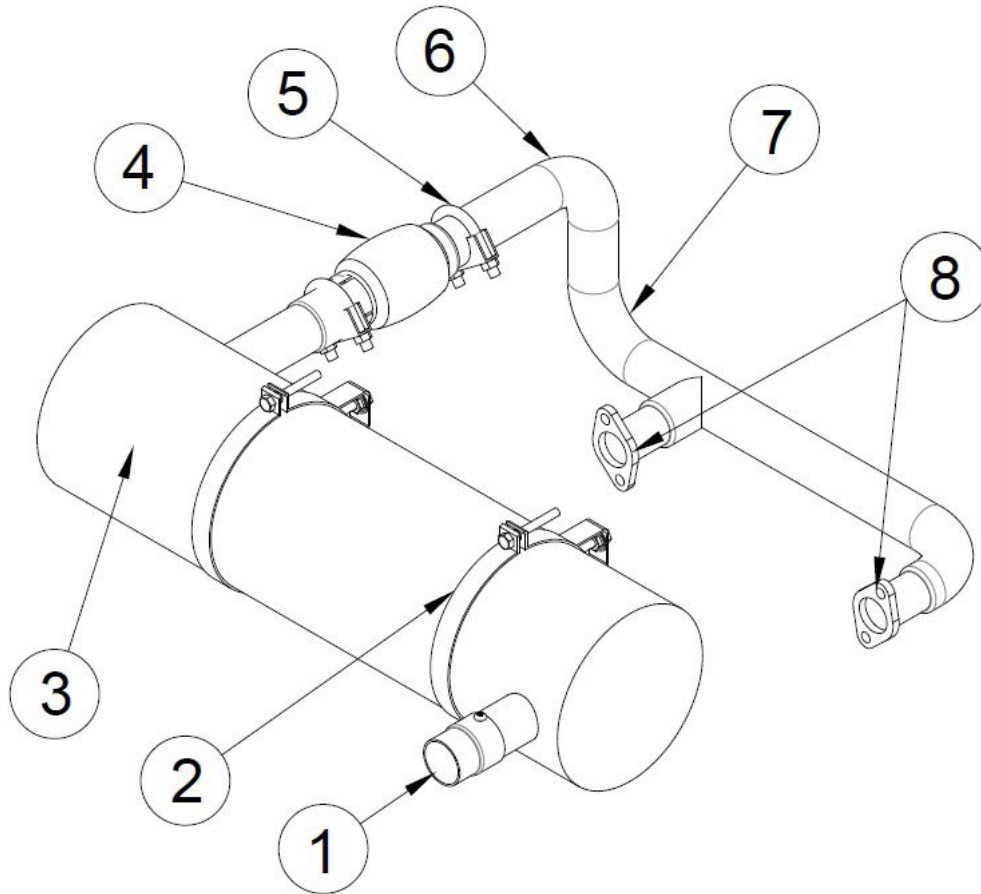
REF #	PART NUMBER	QTY	DESCRIPTION
	351836-1	1	Complete Generator End
19	54665-000	1	6205-2RS Bearing
26	300323-208	2	Varistor
27	300323-207	2	Diode
65	300323-112	2	31..5 µf 450 VAC Capacitor

GENERATOR END SCHEMATIC

60 Hz



EXHAUST ASSEMBLY

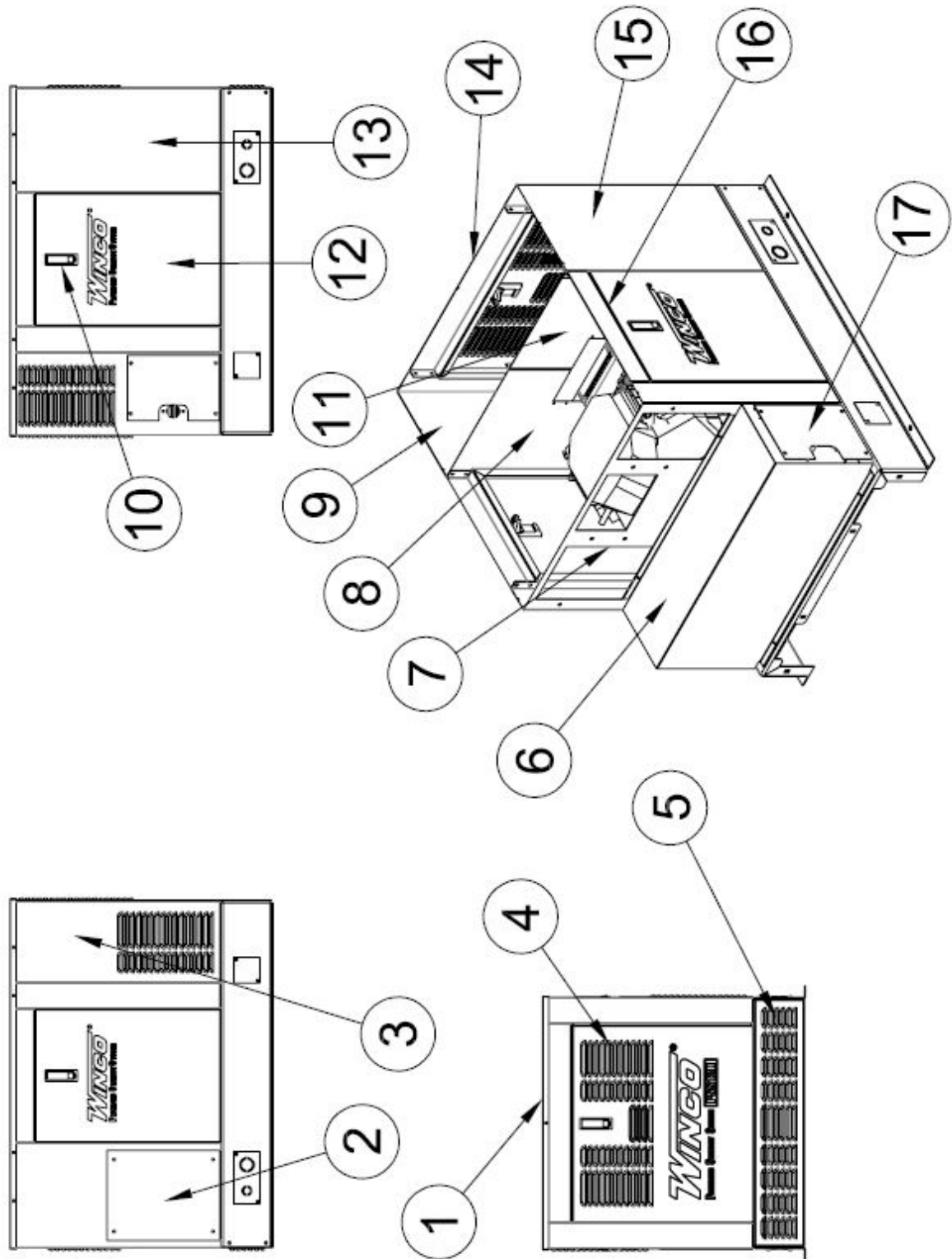


REF #	PART NUMBER	QTY	DESCRIPTION
1	16237-001	1	Spark Arrestor
2	350264-2	2	Muffler Bracket
3	350590-9	1	Muffler
4	16246-001	1	Exhaust Flex
5	93489-015	2	Exhaust Clamp
6	97274-000	11'	High Temperature Tape
7	16247-002	1	Exhaust Manifold
8	16247-002G	2	Exhaust Manifold

DECALS

PART NUMBER	QTY	DESCRIPTION
15209-000	1	Decal Set
15209-100	1	Decal Set French
63941-001	3	Hot Surface Decal
63941-003	1	Battery Compartment Decal
97813-000	2	Auto Start Warning Decal
15849-000	1	CSA Standby Decal
64891-001	1	Electrical Code Decal
15210-010	1	UL Fuel System Decal
15209-004	1	Aluminum Inlet Decal

HOUSING ASSEMBLY

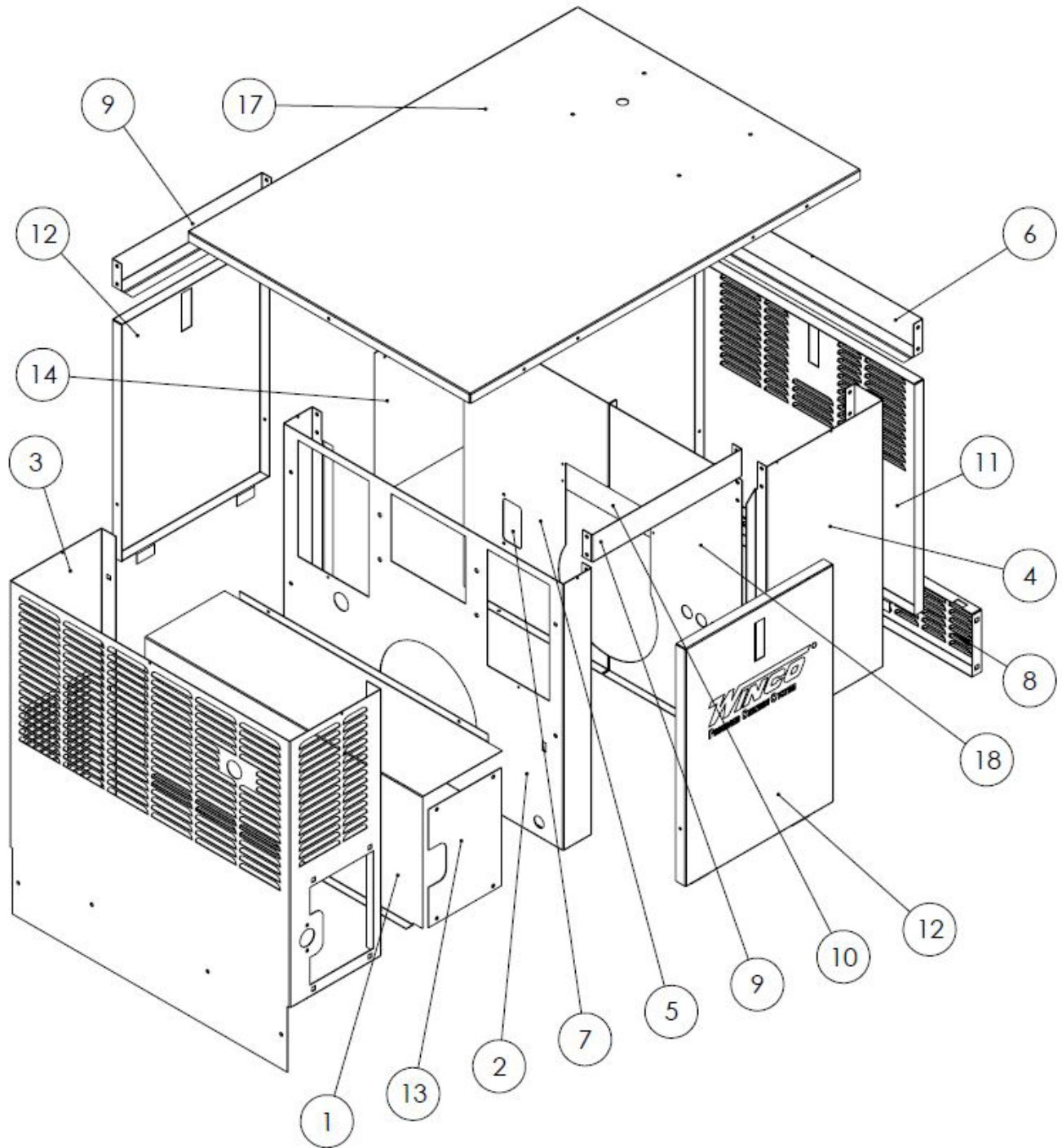


HOUSING ASSEMBLY

REF #	PART NUMBER	QTY	DESCRIPTION
1	16422-005S	1	Roof
2	16414-009S	1	Access Cover
3	16414-007S	1	Front
4	16360-032S	1	Rear Door
5	15671-011S	1	Back Bottom
6	16473-007S	1	Engine Air Partition
7	16473-008	1	Front Divider
8	16417-005S	1	Right Generator Partition
9	16464-005S	1	Back Right Corner
10	95229-005	3	Door Latch
11	16416-005S	1	Left Generator Partition
12	16360-033S	2	Side Service Panel (door)
13	16464-005S	1	Back Left Corner
14	15681-024S	1	Rear Sill
15	16464-006S	1	Back Left Corner
16	15681-022S	2	Side Sill
17	16414-008S	1	Regulator Access
NI	23917-000	3	Grommet
NI	62486-000	2	Grommet
NI	21698-001	23	Torx Screw
NI	15287-001	2	Air Seal 15.5"
NI	15287-018	1	Air Seal 8.25"

Notes: (1) NI - Not Illustrated.

SOLAR HOUSING ASSEMBLY

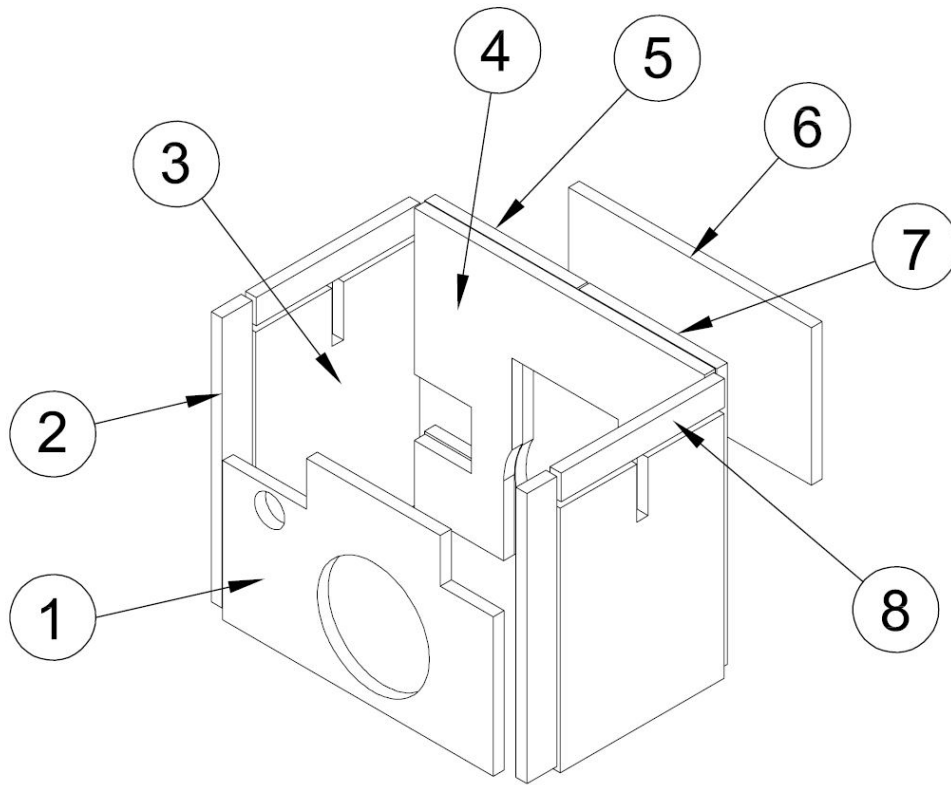


SOLAR HOUSING ASSEMBLY

REF #	PART NUMBER	QTY	DESCRIPTION
1	16473-007	1	Engine Cool Air Partition
2	16473-008	1	Front Divider
3	16414-016	1	Front
4	16464-006	1	Back Right Corner
5	16417-005	1	Lt. Generator Partition
6	15681-024	1	Rear Sill
7	16440-002	1	Heater Hole Cover
8	15671-011	1	Back Bottom
9	15681-022	2	Side Sill
10	64916-002	1	Plate, Generator Top
11	16360-032	1	Rear Door
12	16360-033	2	Service Panel
13	16414-008	1	Regulator Access
14	16414-015	1	Access Cover
15 ⁽¹⁾	97290-001	1	Reflective Foam Kit PSS12
16 ⁽¹⁾	99789-021	1	PSS12 Solar Foam Kit
17	16422-011	1	Solar Roof
18	16416-005	1	Rt. Generator Partition

Notes: (1) Not Illustrated.

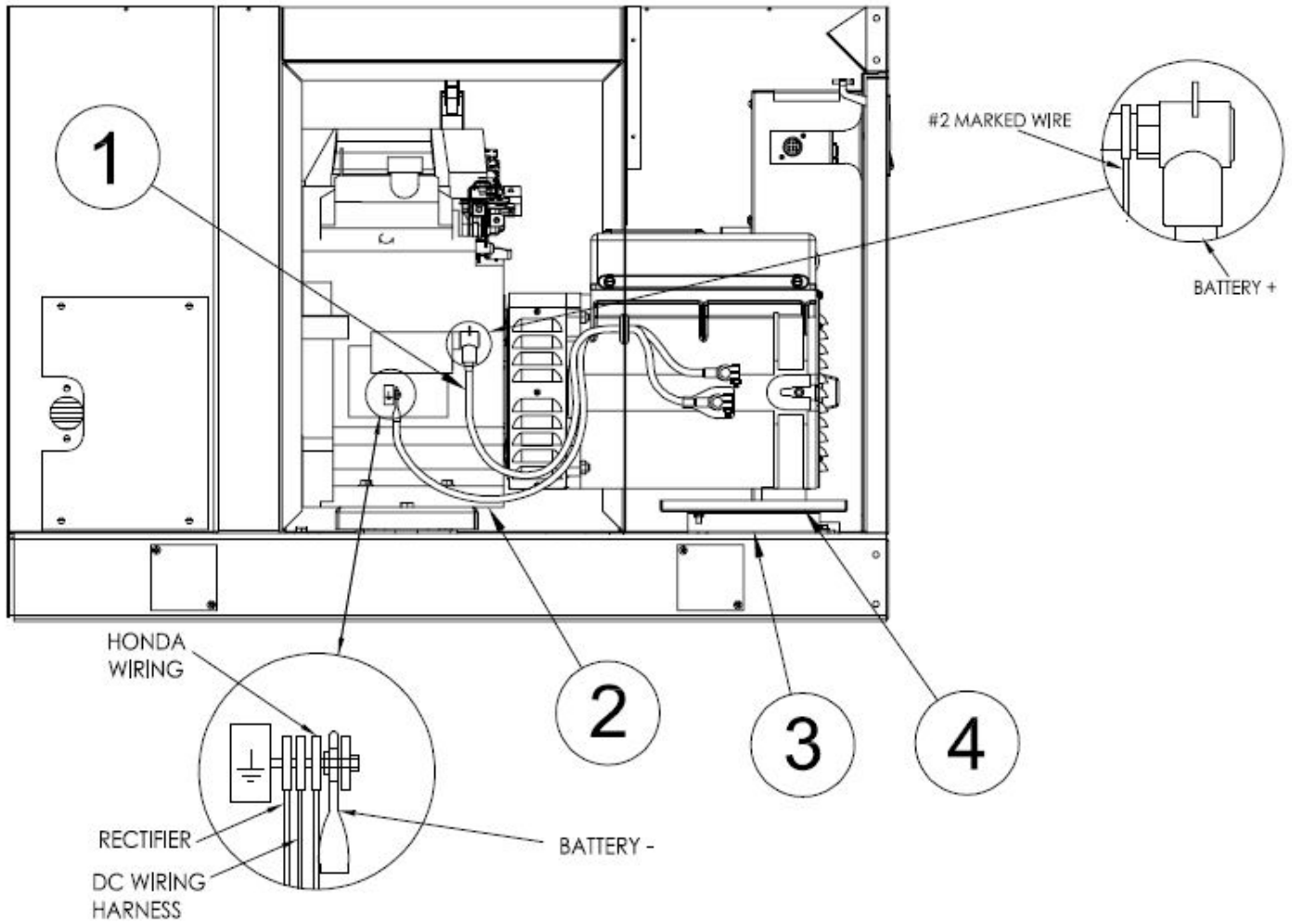
REFLECTIVE FOAM KIT



REF #	PART NUMBER	QTY	DESCRIPTION
1	16485-040S	1	Front Divider Foam
2	16485-045S	2	Corner Foam
3	16485-039S	2	Service Panel Foam
4	16485-044S	1	Generator Partition Foam
5	16485-043S	1	Right Divider Foam
6	16485-046S	1	Rear Door Foam
7	16485-042S	1	Left Divider Foam
8	16485-041S	2	Side Sill Foam
NI	16485-047S	1	Roof Foam
NI	97291-003S	1	Reflective Roof Foam
NI	97291-007S	1	Side Panel Reflective
NI	97291-001S	1	Air Partition Reflective Foam
NI	97291-002S	1	Engine Divider Reflective Foam

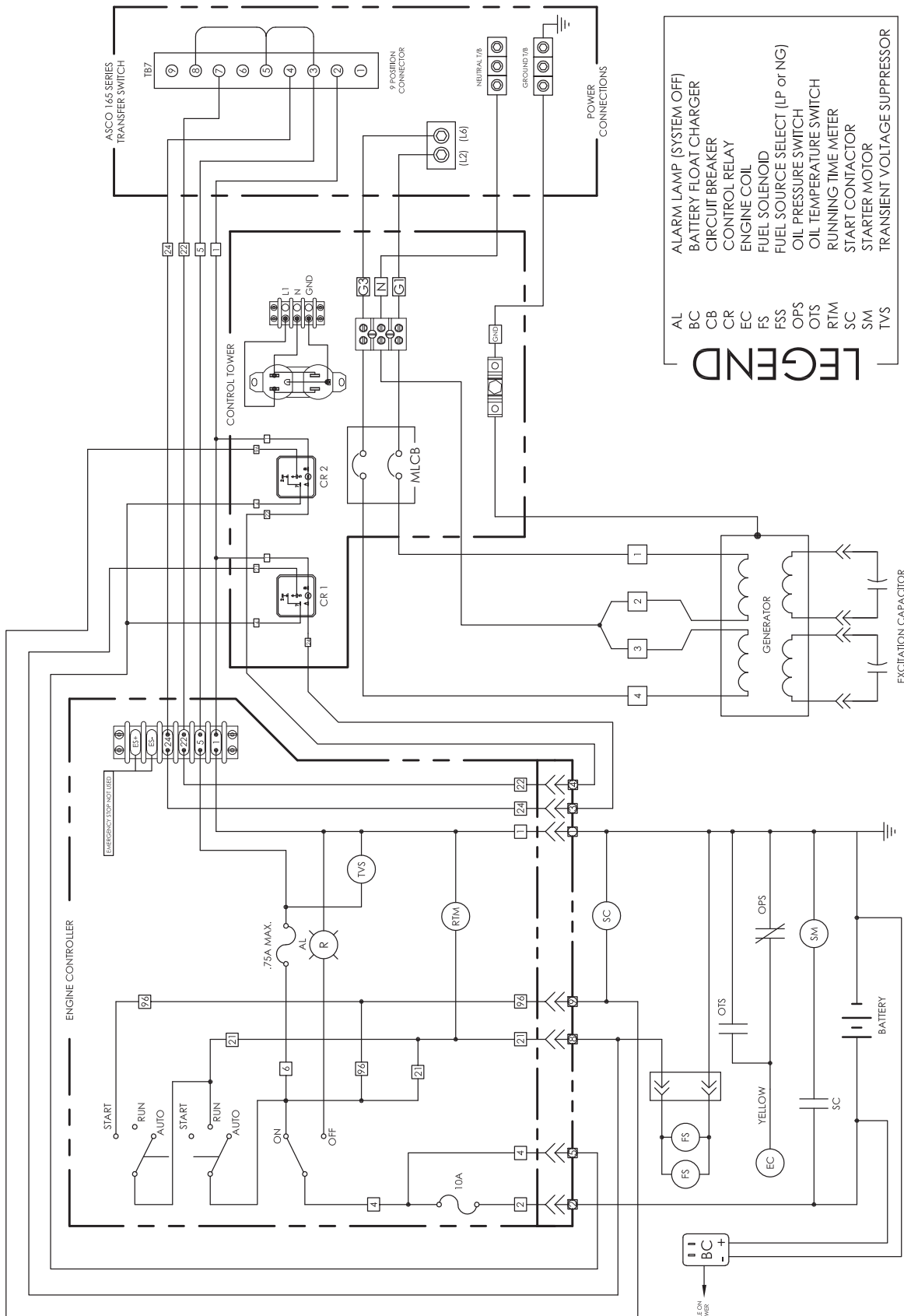
Notes: (1) Not Illustrated.

BATTERY ASSEMBLY



REF #	PART NUMBER	QTY	DESCRIPTION
1	22097-012	1	Battery Negative (-) Cable
2	22097-009	1	Battery Positive (+) Cable
3	300430-4	1	Battery Riser
4	300430-5	1	Battery Tray

4-WIRE START AC & DC GENERATOR SCHEMATIC

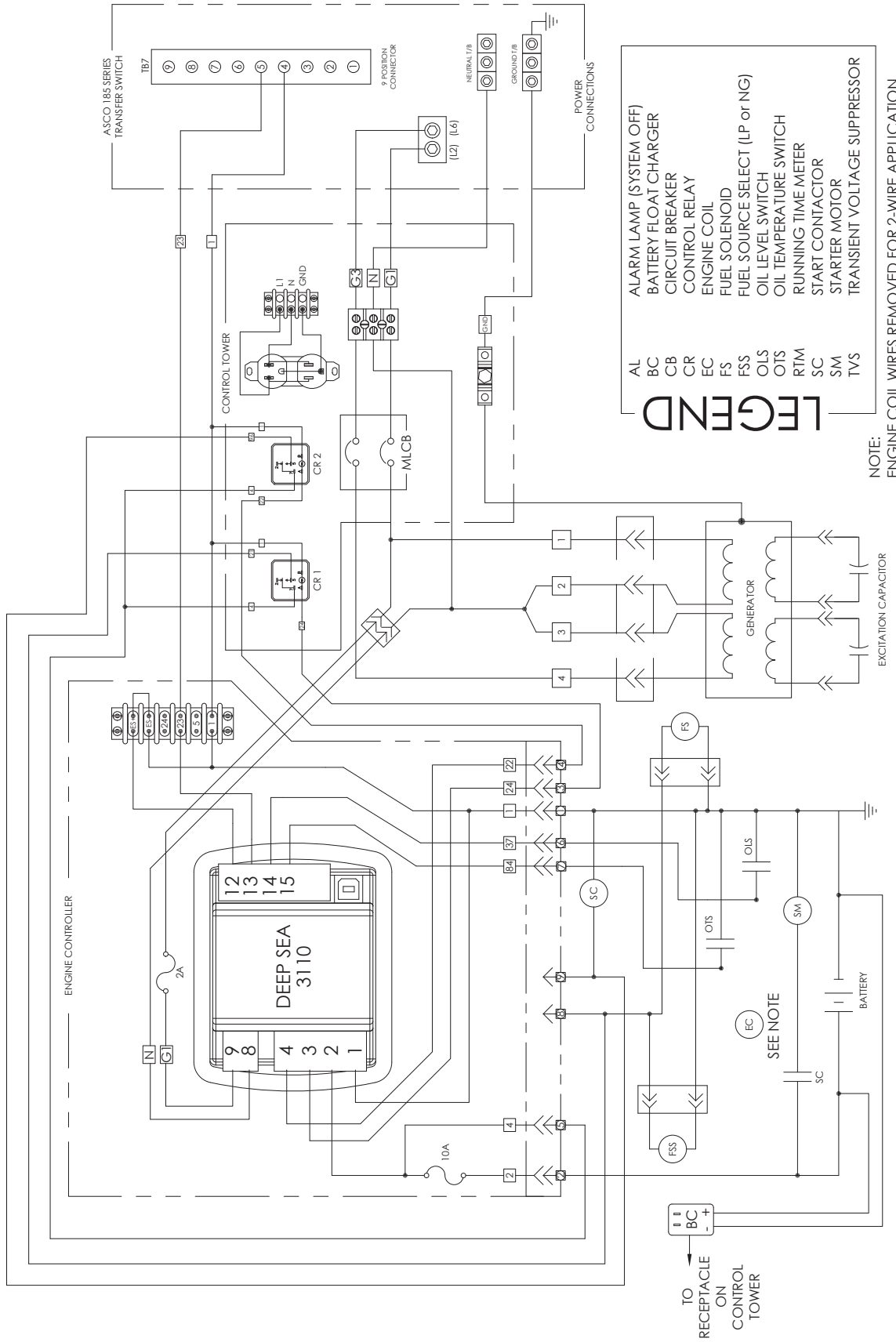


LEGEND

- AL ALARM LAMP (SYSTEM OFF)
- BC BATTERY FLOAT CHARGER
- CB CIRCUIT BREAKER
- CR CONTROL RELAY
- EC ENGINE COIL
- FS FUEL SOLENOID
- FSS FUEL SOURCE SELECT (LP or NG)
- OPS OIL PRESSURE SWITCH
- OTS OIL TEMPERATURE SWITCH
- RTM RUNNING TIME METER
- SC START CONTACTOR
- SM STARTER MOTOR
- TVS TRANSIENT VOLTAGE SUPPRESSOR



2-WIRE START AC & DC GENERATOR SCHEMATIC



LEGEND

- AL ALARM LAMP (SYSTEM OFF)
- BC BATTERY FLOAT CHARGER
- CB CIRCUIT BREAKER
- CR CONTROL RELAY
- EC ENGINE COIL
- FS FUEL SOLENOID
- FSS FUEL SOURCE SELECT (LP or NG)
- OLS OIL LEVEL SWITCH
- OTS OIL TEMPERATURE SWITCH
- RTM RUNNING TIME METER
- SC START CONTACTOR
- SM STARTER MOTOR
- TVS TRANSIENT VOLTAGE SUPPRESSOR

NOTE: ENGINE COIL WIRES REMOVED FOR 2-WIRE APPLICATION.



WINCO[®]

GENERATORS

 An American Company

225 S. Cordova Ave Le Center, MN 56057
Service Department 507-357-6831



www.wincogen.com

16400-056PL/B PG 24