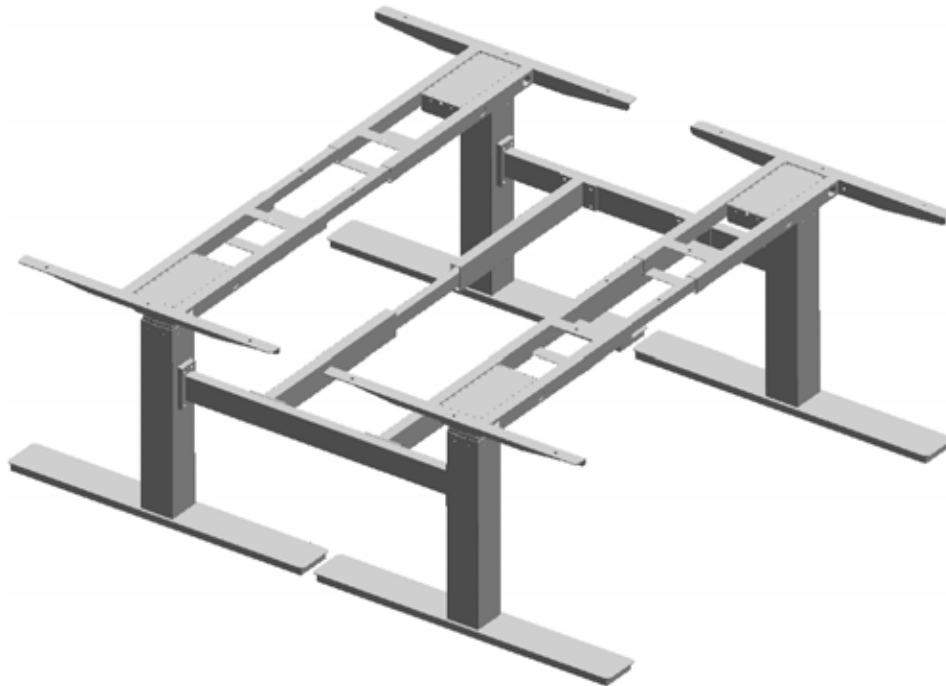


# Assembly Instructions



Caution. Make sure that when operating this desk after assembly that no objects are in the path of the desk when it is being raised or lowered. Please also ensure any power cord used is of sufficient length for the travel of the desk. Failure to ensure complete assembly and to also take adequate care when using the desk could result in injury to persons and property.

Should this desk be re-sold please ensure these instructions are passed to the buyer.

In the event that any screws, power cables, allen keys or any other components or fasteners are missing from the box when opened please contact GoStand Limited at the contact details below.



Pinch point. Keep small childrens fingers away from the lifting legs.



This desk is an electrical device. Keep liquids away from the electrical control box.



Do not open any of the electrical components, legs or handset. Risk of electric shock.



The desk should not be sat on nor operated with a person on the desk



This product has a duty cycle of 10%. 2 mins on 18 mins off.



In the event of loss of mains power a manual reset may be required



We carry spares for all our desks so if your desk is not functioning contact us and we can have replacement parts dispatched to you normally within 24 hours.

# Assembly Instructions

## Safety and warnings

- ⊕ Inappropriate use of this desk could cause injury to persons and property
- ⊕ Ensure the desk is clear on all sides before use. The desk has powerful actuators which can cause bodily injury
- ⊕ Ensure the power cord is of the correct length for the maximum desk height. Similarly ensure the power cord for any other appliance on the desk such as monitors or computers is of the correct length for the desk maximum height. Failure to check this prior to operation could result in damage or injury
- ⊕ Please make all users of the desk aware of these important safety instructions
- ⊕ The desk is not designed for a person to either sit on it or to move the desk up and down while sitting on it. This can cause bodily injury. Do not crawl around or lie under the desk while it is plugged in.

## Use of the desk

This motor driven height adjustable desk is for office or home office use only. It is not designed for use in any other environment. It should not be used in industrial areas, food preparation, workshops or other. It should not be in a high moisture environment nor subject to exposure to fluids.

The desk is designed to lift office equipment such as a computer, keyboard, monitor, mouse, tablet and stationary. It should not be sat on by any person and should above all not be moved up or down with a person on it. It should be free to move up and down without hinderance. Objects should not be placed below or around the desk that can be crushed or cause the desk to jam.

GoStand Limited accepts no liability for any injury or loss caused by improper assembly or use of this product. Similarly improper use of the product will void any and all warranty claims.

Children should be supervised by an adult at all times when using the desk.

## Post assembly and positioning

Once the desk has been assembled adjust the feet so the desk is level and stable. Then plug it in and switch it on.

Make sure the desk is clear of any objects when positioning such as radiators, windows, furniture etc.

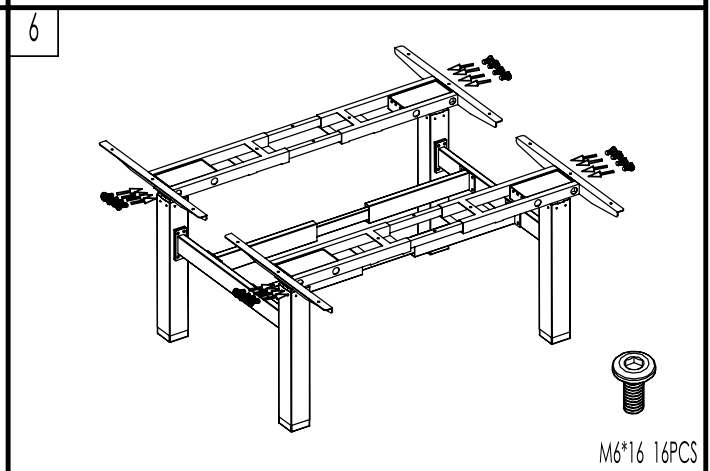
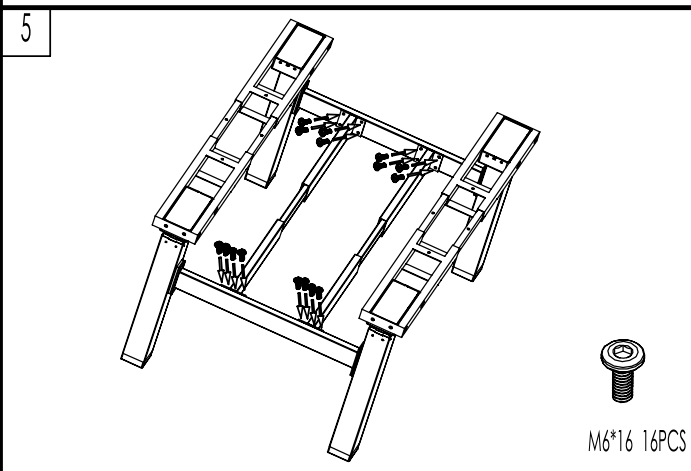
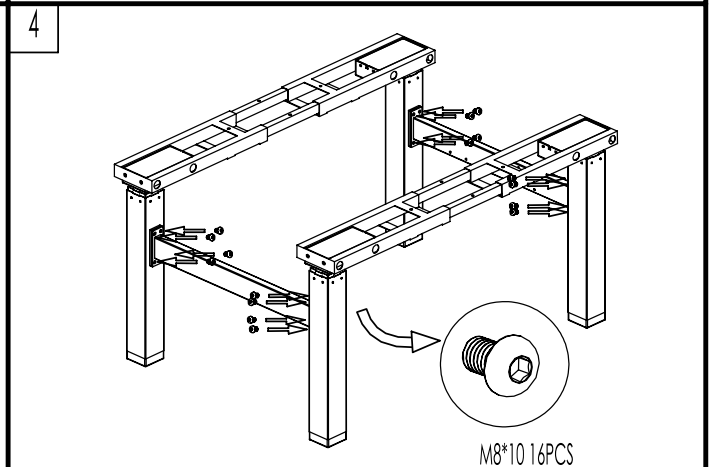
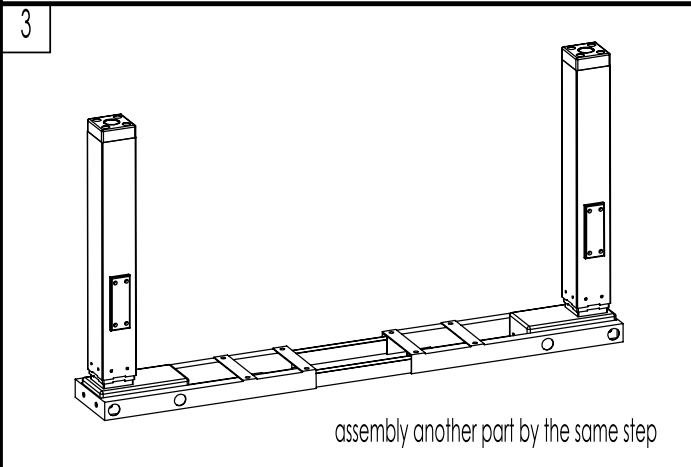
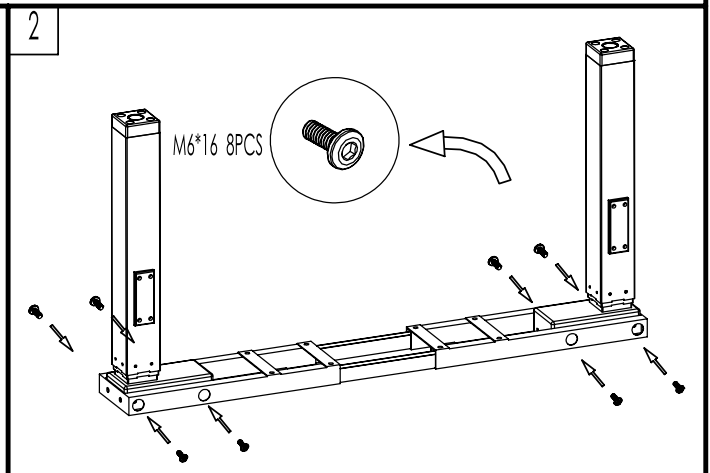
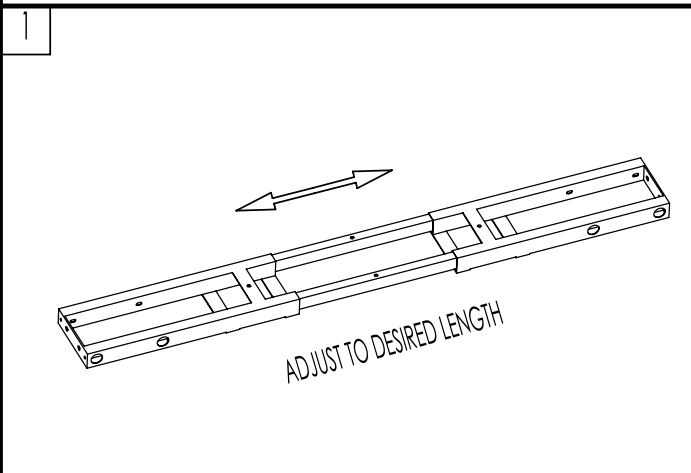
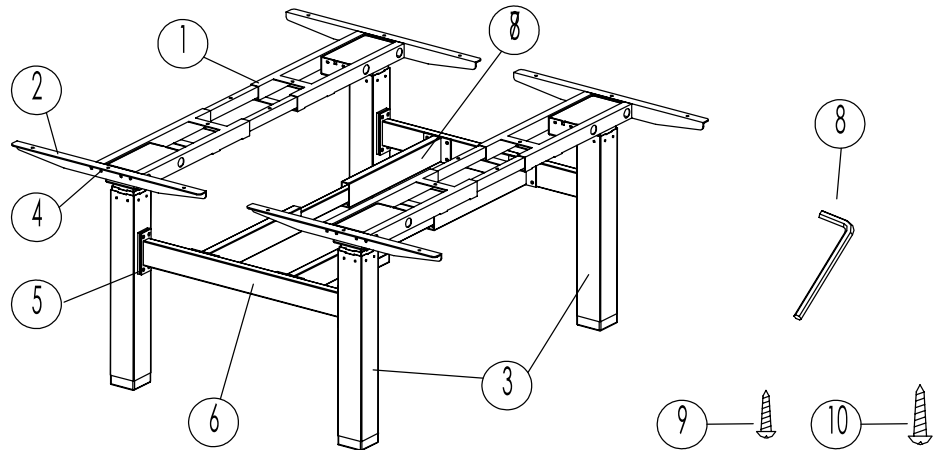
Do not place any objects greater than 500mm in height below the desk. Do not lift it by the desk top but by frame just underneath.

# Assembly Instructions

Drawing 1 off 2

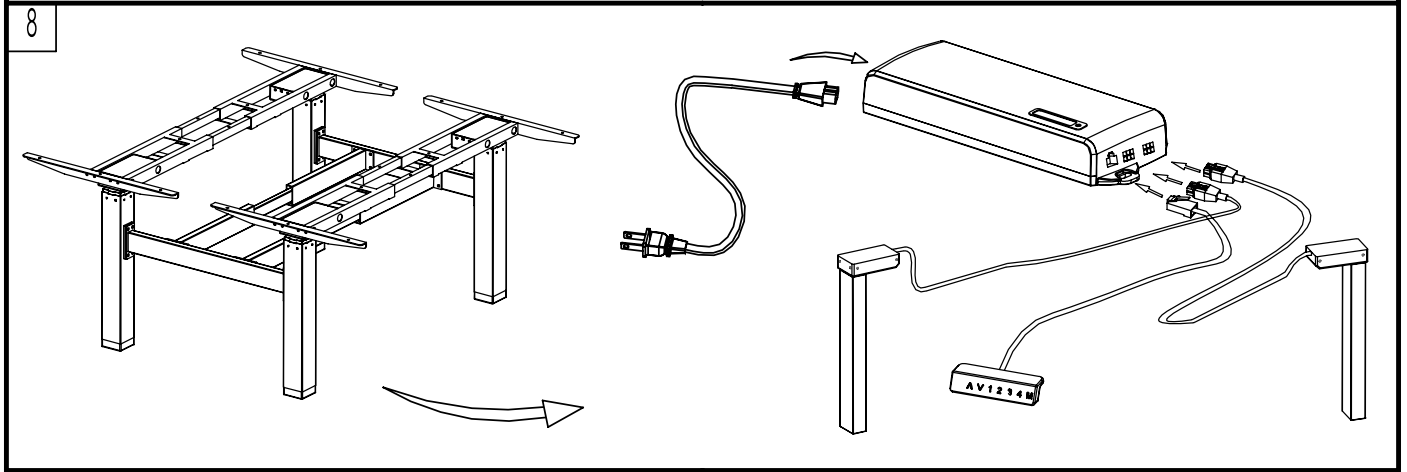
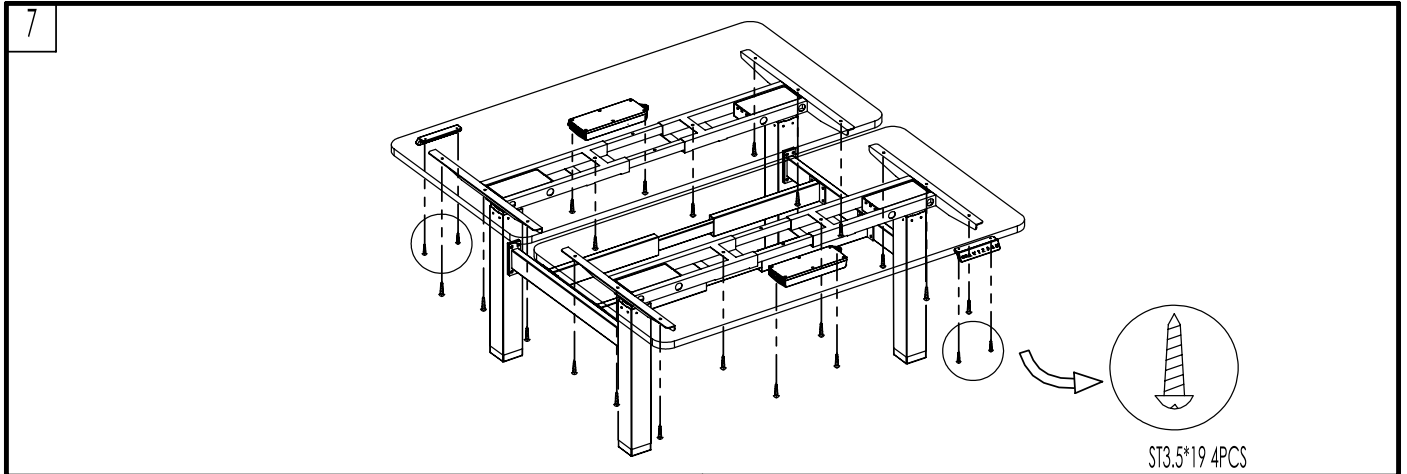
Parts and Tools list

NO.	Component Name	Qty
1	Support Beam	2
2	Bracket	4
3	Lifting System	2
4	M6*16	48
5	M8*10	16
6	back to back connection	2
7	spine connection beam	4
8	5mm Hex Allen	2
9	ST3.5*19	4
10	ST4.8*19	20



# Assembly Instructions

Drawing 2 off 2



# Assembly Instructions

## Assembling the bench system

Remove all the components from the box taking care not to damage any. The legs with the motors inside are heavy and can chip paint from the other parts if they are brought together. Ensure that you have all the screws and fasteners listed.

1. Take the support beam and set it to the desired length to suit the size of the desktop.
2. Fit both lifting legs to the beam using the 8 off M6 x 16 capscrews. Do not tighten fully at this stage.
3. Repeat for the duplicate unit.
4. Attach the back to back connections using 16 off M8 x 10 capscrews. Do not tighten fully at this stage.
5. Attach the spine connection beams using 16 off M6 x 16 capscrews. Do not tighten fully at this stage.
6. Attach the brackets at all four ends using 16 off M6 x 16 capscrews. Do not tighten fully at this stage.

Now tighten fully all the capscrews using the Allen key provided

7. Place the desktop onto the assembled sit-stand frame and screw the top to the frame with the 4.8 x 19 self-tapping screws provided. Ensure the top is the correct way up and centered before fixing in place.
7. Fix the controller handset in place using the 3.5 x 19 self tapping screws provided. Ensure it is flush with the face of the desk.
5. Fix the control box in place using the 4.8 x 19 self tapping screws provided. Ensure the control box is in a position where the lead for the handset, motor and power lead will reach.
5. Connect the control box to the handset and to the motor. There is a set for each side of the bench. The two sides of the bench operate completely independently.

Now the bench system is almost ready for use. Ensure nothing can obstruct the rise and fall of the desks. Ensure all cables are long enough for the full travel of the desk. We would advise at this stage not to place anything on the desk.

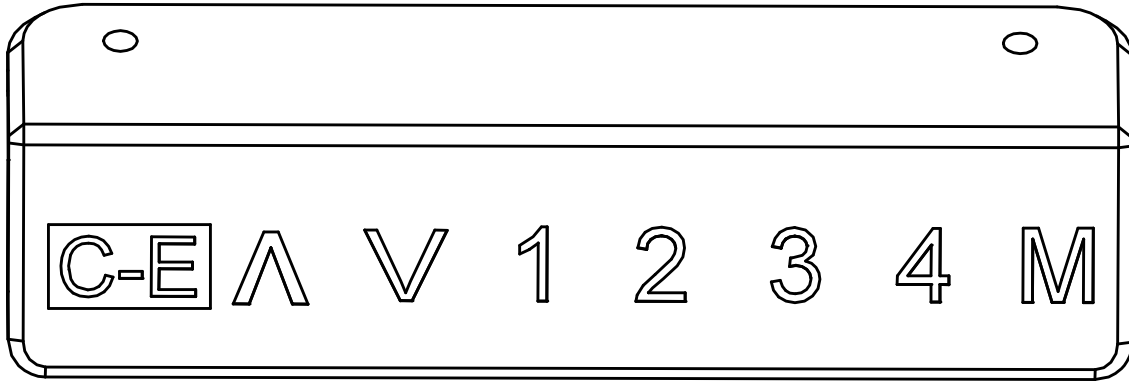
## Initialisation

Plug in the desk and switch it on.

Press the "↑" and "↓" button together for about 15s until you can hear a beep. Do not release. Keep pressing the "↑" and "↓" buttons. The lifting columns will go down to their lowest position. You will hear a beep. The desk is now initialised and ready to use.

# Assembly Instructions

## Handset operation



### 1. Normal operation

Drive the desk to the desired height using the "↑" or "↓" button. Height display should be in centimetres.

### 2. Setting the Memory

Set the desk to the desired height. Press the "M" button till the display flashes and then press "1" button  
Position 1 is now stored

Repeat above procedure for positions 2,3,4

Press and hold the "1","2", "3","4" button and the desktop will stop at the desired height.

### 3. Reset

Switch off and unplug the power cord for one minute and then replugin and switch it on.

Press the "↑" and "↓" button together for about 15s until you can hear a beep. Do not release. Keep pressing the "↑" and "↓" buttons. The lifting columns will go down to their lowest position. You will hear a beep.

The desk is now reset. This is the same process as initialization.

### 4. Inches or mm

Press the "1""2""M" buttons together for about 5 seconds, display "C-E" (flashing)

**Either** Press button "1" within 5 seconds the display shows "C", meaning the desk is in metric mode. After 5 seconds the desk returns to the normal operating mode.

**Or** Press button "2" within 5 seconds the display shows "E" meaning the desk is in imperial (inches) mode. After 5 seconds the desk returns to the normal operating mode.

If no button is pressed while C-E is flashing then after the 5 seconds has elapsed the desk reverts to normal operating mode with no change having been made.

Should you have issues with your desk please contact us and we will endeavour to help. We carry spares for all our desks so we can quickly replace any defective components.

# Assembly Instructions

## Technical Specifications

Voltage: 230V AC

Weight: 70Kg

Maximum Height: 1290mm

Minimum Height: 640mm

Base Width: 1000-1600mm

Travel speed: 38m/s

Duty Cycle: 10% 2mins on 18 mins off

Maximum recommended load: 2000N

Maximum load: 1200N