

Assembly Instructions



Caution. Make sure that when operating this desk after assembly that no objects are in the path of the desk when it is being raised or lowered. Please also ensure any power cord used is of sufficient length for the travel of the desk. Failure to ensure complete assembly and to also take adequate care when using the desk could result in injury to persons and property.

Should this desk be re-sold please ensure these instructions are passed to the buyer.

In the event that any screws, power cables, allen keys or any other components or fasteners are missing from the box when opened please contact GoStand Limited at the contact details below.



Pinch point. Keep small childrens fingers away from the lifting legs.



This desk is an electrical device. Keep liquids away from the electrical control box.



Do not open any of the electrical components, legs or handset. Risk of electric shock.



The desk should not be sat on nor operated with a person on the desk



This product has a duty cycle of 10%. 2 mins on 18 mins off.



In the event of loss of mains power a manual reset may be required



We carry spares for all our desks so if your desk is not functioning contact us and we can have replacement parts dispatched to you normally within 24 hours.

Assembly Instructions

Safety and warnings

- ⊕ Inappropriate use of this desk could cause injury to persons and property
- ⊕ Ensure the desk is clear on all sides before use. The desk has powerful actuators which can cause bodily injury
- ⊕ Ensure the power cord is of the correct length for the maximum desk height. Similarly ensure the power cord for any other appliance on the desk such as monitors or computers is of the correct length for the desk maximum height. Failure to check this prior to operation could result in damage or injury
- ⊕ Please make all users of the desk aware of these important safety instructions
- ⊕ The desk is not designed for a person to either sit on it or to move the desk up and down while sitting on it. This can cause bodily injury. Do not crawl around or lie under the desk while it is plugged in.

Use of the desk

This motor driven height adjustable desk is for office or home office use only. It is not designed for use in any other environment. It should not be used in industrial areas, food preparation, workshops or other. It should not be in a high moisture environment nor subject to exposure to fluids.

The desk is designed to lift office equipment such as a computer, keyboard, monitor, mouse, tablet and stationary. It should not be sat on by any person and should above all not be moved up or down with a person on it. It should be free to move up and down without hinderance. Objects should not be placed below or around the desk that can be crushed or cause the desk to jam.

GoStand Limited accepts no liability for any injury or loss caused by improper assembly or use of this product. Similarly improper use of the product will void any and all warranty claims.

Children should be supervised by an adult at all times when using the desk.

Post assembly and positioning

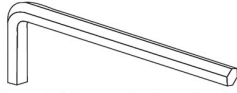
Once the desk has been assembled adjust the feet so the desk is level and stable. Then plug it in and switch it on.

Make sure the desk is clear of any objects when positioning such as radiators, windows, furniture etc.

Do not place any objects greater than 500mm in height below the desk. Do not lift it by the desk top but by frame just underneath.

Assembly Instructions

TOOLS



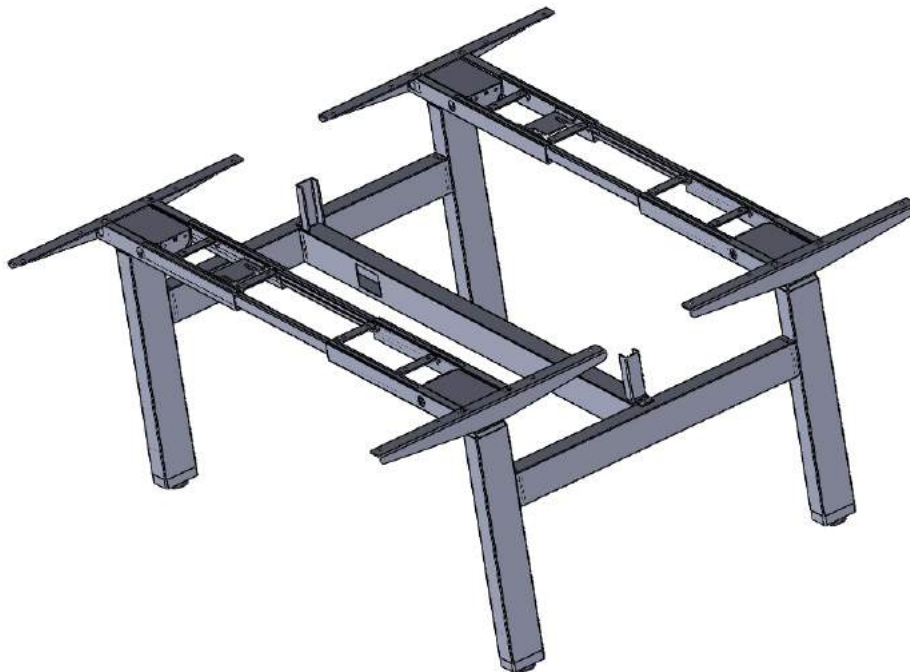
4mm Allen Wrench (included)



Phillips Head Screwdriver
and/or Power Drill



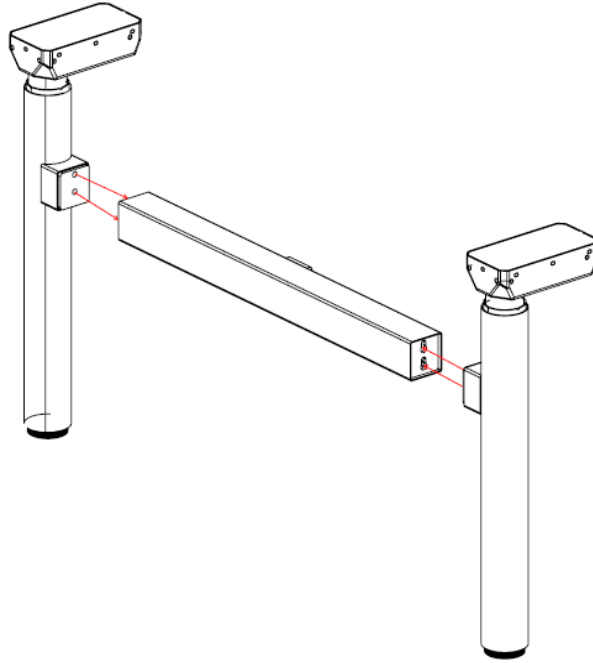
Tape Measure



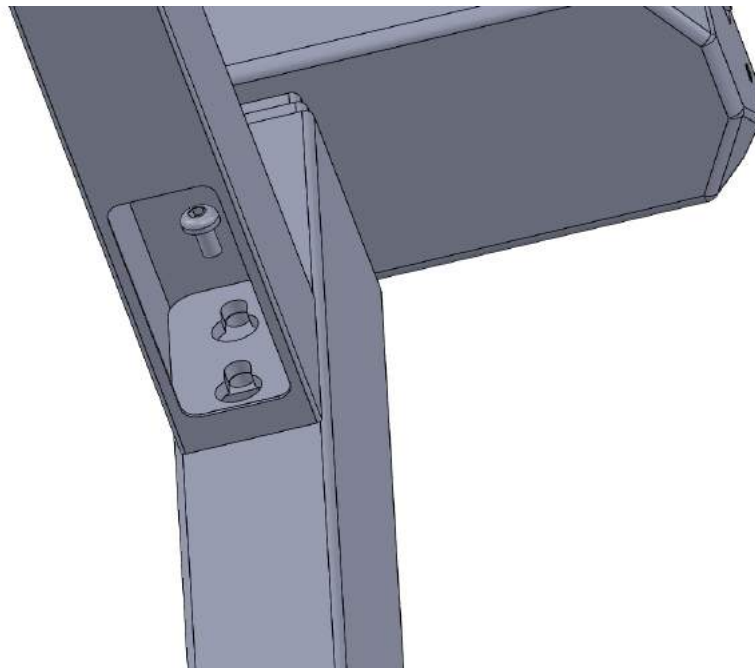
Assembly Instructions

The bench system is basically two independent desks joined back to back. It can thus be treated as so during assembly.

Using M8x10mm Machine screw to fix short beam with the actuator legs.

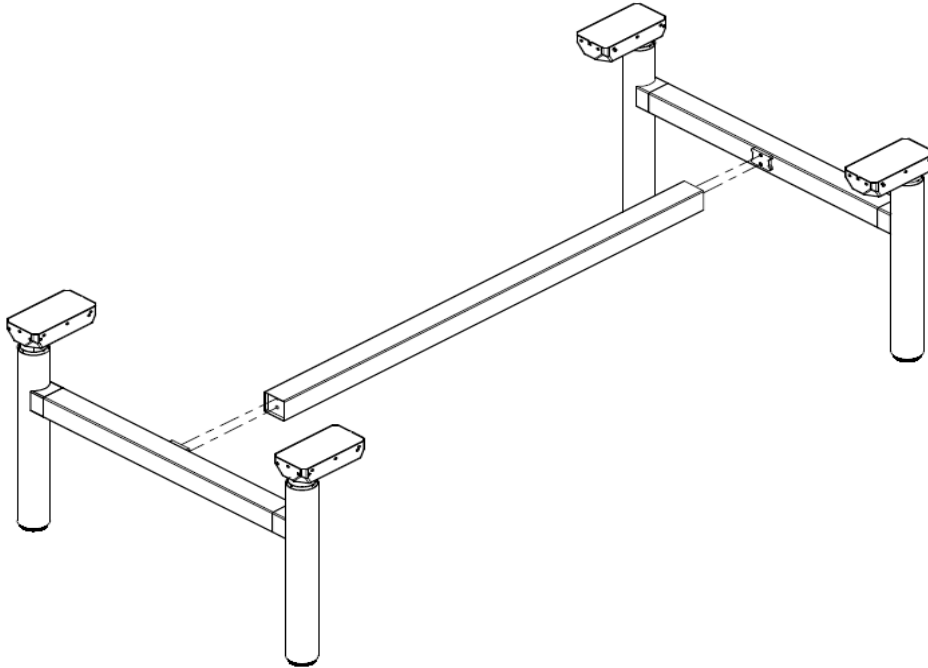


The short beams are fixed in place using the access cut-out in the bottom of the beam

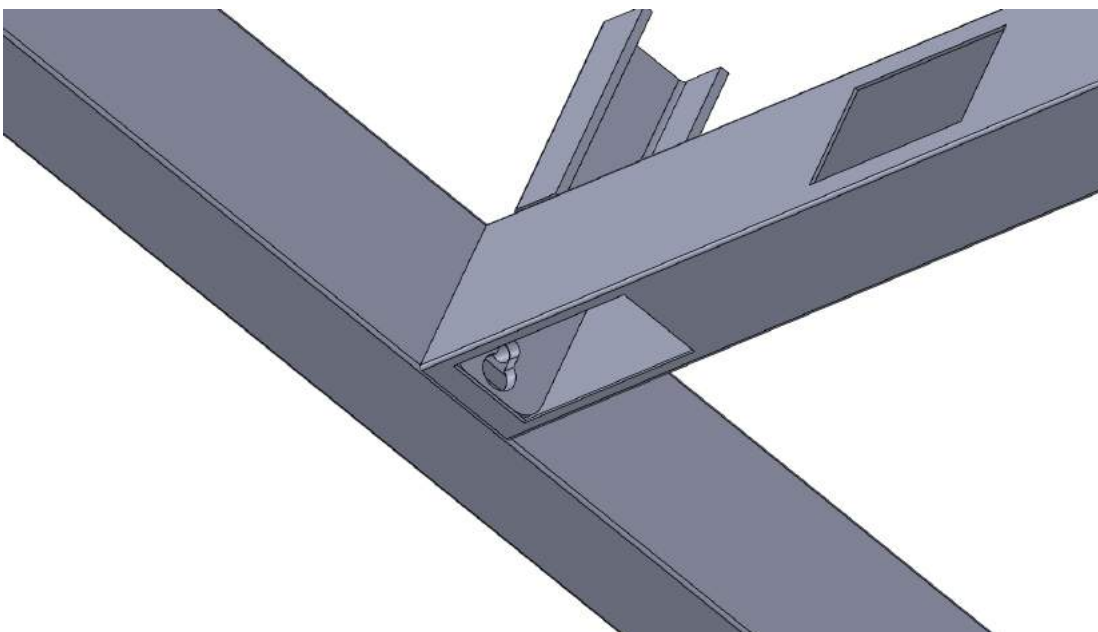


Assembly Instructions

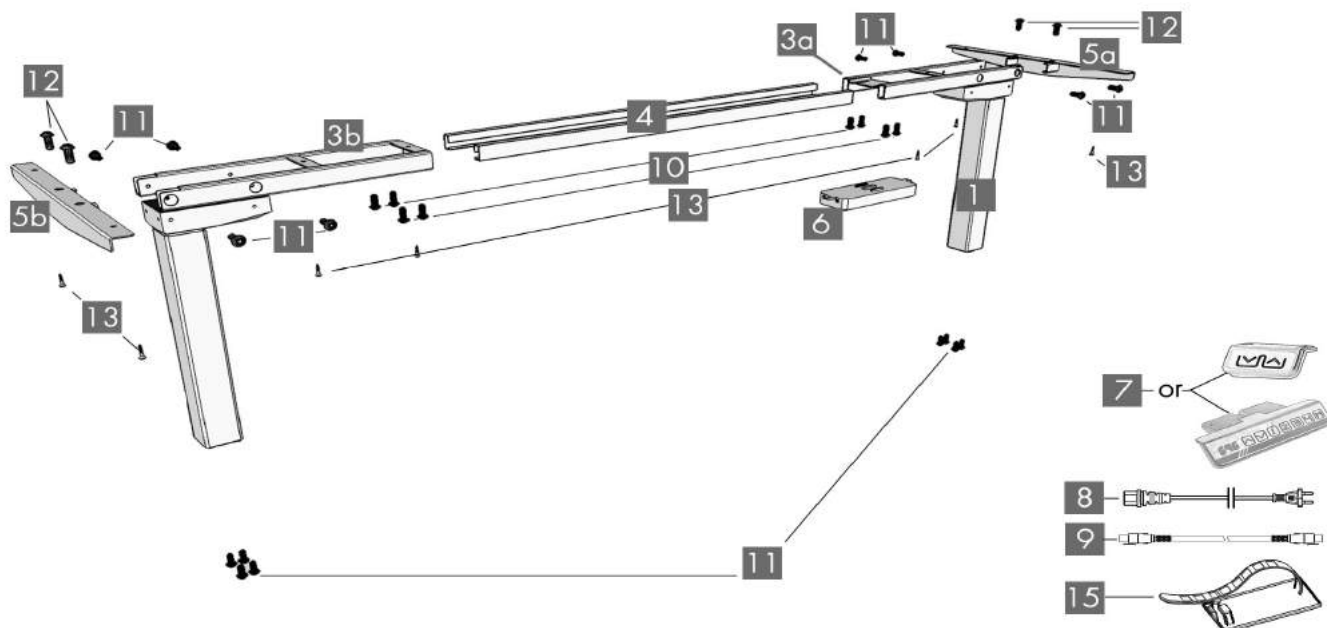
Using M8x10mm Machine screws to fix the long beam with short beam.



Access is again through the bottom of the long beam via a cut out.



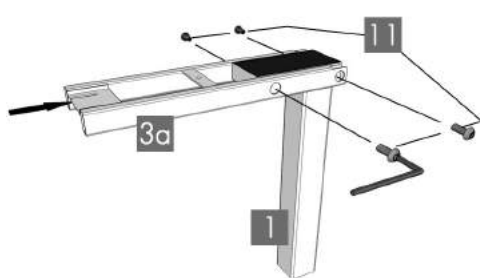
Assembly Instructions



Part	Qty
1 Leg	2
6 Control Box	1
7 Handset	1
8 Power Cord	1
9 Cable (1.3m)	1

Part	Qty
2 Foot	2
3a Frame End-CB	1
3b Frame End	1
4 Center Rail	2
5a Side Bracket R	1
5b Side Bracket L	1

Part	Qty
10 M6x10 Machine Screw	8
11 M6x14 Machine Screw	16
12 M6x35 Machine Screw	4
13 M5x20 Wood Screw	7
14 M5x16 Wood Screw	2
15 Cable Clip	10



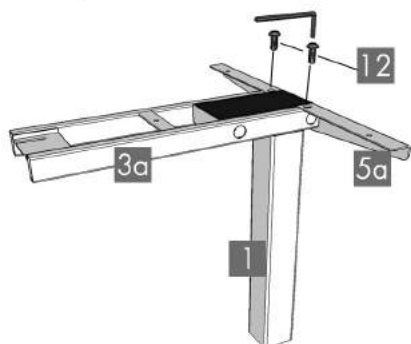
Place one of the Legs (part 1) into the Frame End-CB (part 3a) ensuring that the bar (arrow) is on "top" in relation to the Leg (part 1).

Line up the holes on the Leg (part 1) with the holes on the Frame End-CB (part 3a).

Using the supplied Allen Wrench, insert four (4) M6x14 Machine Screws (part 11) through the holes in the Frame End-CB (part 3a), going into the Leg (part 1) and rotate each screw just a few turns. After all four (4) M6x14 Machine Screws (part 11) are inserted, tighten all four (4) screws.

Do the same for the other Leg (part 1) and the Frame End (part 3b).

i if you drop a screw inside the frame end, simply tilt to retrieve. **i**

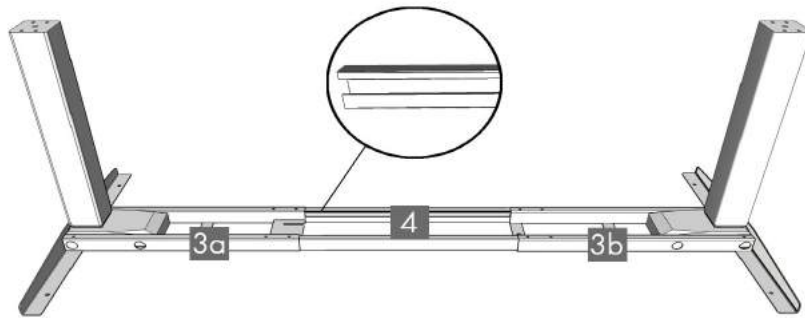


The Frame End-CB (part 3a) should be placed on the side of the desk where you plan to mount the Control Box (part 6) and the Handset (part 7).

Slide the Side Bracket (part 5a) into the Frame End-CB (part 3a). Insert two (2) M6x35 Machine Screws (part 12) through the two (2) holes in the top of the Side Bracket (5a) going into the frame end/leg assembly. Using the supplied Allen Wrench, rotate each screw just a few turns. After both M6x35 Machine Screws are inserted, tighten both screws.

Do the same for the other frame end/leg assembly.

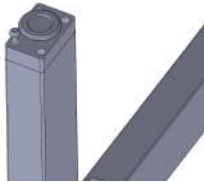
Assembly Instructions



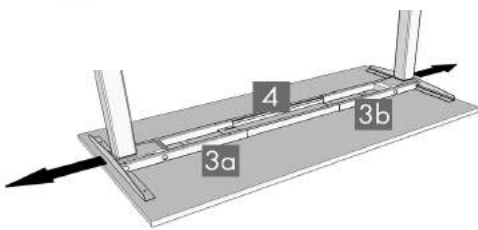
Slide the two (2) Center Rails (part 4) into the two Frame Ends (parts 3a & 3b) ensuring:

a) the slots in the Center Rails (part 4) face inward

b) the slots in the Center Rails (part 4) are closer to the top edge when the assembly is upside down (see inset).

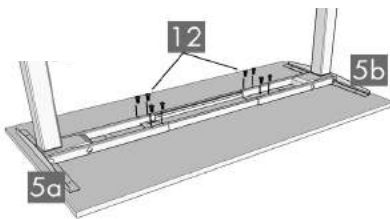


For each leg assembly, attach a Foot (part 2) with four (4) M6x14 Machine Screws (part 11) and tighten in a cross-pattern.



Your desktop may or may not be pre-drilled. Check both sides of the desktop before placing the desk base on the underside of the desktop.

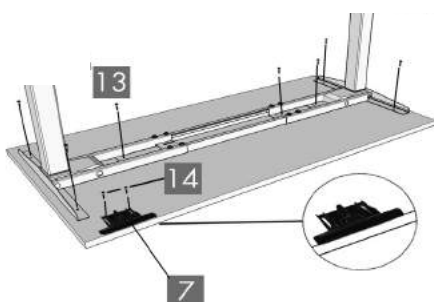
Adjust the width of the desk base to fit the desktop by sliding the two halves outward. We recommend leaving at least 1/2" of the desktop width (on each end) protruding beyond the frame width and centering the Side Brackets (part 5a & 5b) fore and aft.



If the desktop is pre-drilled, perform Step 8 before Step 7.

If the desktop is not pre-drilled, lock the position of the Center Rails (part 4) using eight (8) M6x10 Machine Screws (part 10).

⚠ Ensure that the M6x10 Machine Screws (part 10) contacts the Center Rails (part 4) by sliding the Center Rails (part 4) as needed. ⚠



⚠ Double-check that the wood screws are not too long for your desktop and won't puncture the surface when screwed all the way in. ⚠

i We recommend that you pre-drill any holes needed for fasteners if your desktop is not pre-drilled. Never use countersunk screws. i

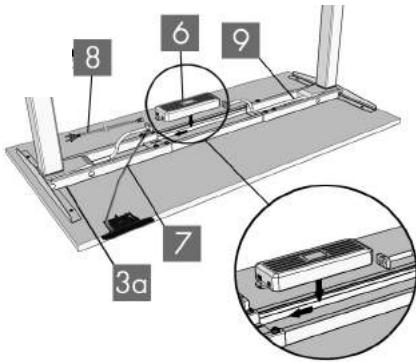
Double-check that the desk base is properly positioned on the underside of the desktop.

Attach the desk base to the underside of the desktop using seven (7) M5x20 Wood Screws (part 13).

Attach the Handset (part 7) so the front of the handset is flush with the front desktop edge (or recessed up to 1/8"). The handset may be placed anywhere along the front edge of the desktop but we recommend placing it toward an end so it does not interfere with your chair when seated. Use two (2) M5x16 Wood Screws (part 14) to attach the handset to the desktop.

⚠ Do not overtighten screws in this step. ⚠
Overtightening could cause damage to the components. ⚠

Assembly Instructions



Connect the cable exiting the Leg (part 1) that is attached to the Frame End-CB (part 3a) directly into the Control Box (part 6). Slide the Control Box (part 6) onto the Frame End-CB (part 3a).

Connect the Cable (part 9) to the other Leg (part 1) and to the Control Box (part 6).

Connect the Handset (part 7) cable to the Control Box (part 6).

Use the adhesive-backed Cable Clips (part 15) to secure the cables so they do not sag.

Turn the assembled desk right-side-up. With two people, grab the desk by the base (not the desktop) and turn the desk right-side up. Adjust the Leveling Studs on the Feet as needed.



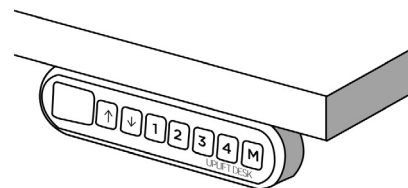
**MAKE SURE NO OBSTACLES ARE IN THE DESK'S PATH.
MAKE SURE ALL CORDS ARE OF A LENGTH THAT WILL
ACCOMMODATE THE CHANGE IN HEIGHT.**

Plug the Power Cord into a 230V AC outlet.

IMPORTANT!

You must RESET the desk prior to use!

Press and hold the DOWN button on the Keypad until the desk reaches its lowest height. Release the DOWN button. Press and hold the DOWN button again until the LED display reads "RST" or about 10 seconds on non-LED handset models. Release the DOWN button. Press and hold the DOWN button again until the desk lowers a little bit more, slightly rises and stops. Release the DOWN button. Your desk is now ready to use.



To program up to four presets:

Use the up/down buttons to find a desired height, then press "M" followed by a number 1 – 4.

TECHNICAL SPECIFICATIONS

Height Range	623 - 1280mm (without desktop)
Base Width	1020 -1800mm max
Travel Speed	38m/s max
Weight Capacity	20Kg advised (max 100Kg)
Duty Cycle	10%, Max. 2 mins on, 18 mins off
	4 Memory presets Soft Start/Stop Adjustable leveling studs

Assembly Instructions

TROUBLESHOOTING

–Reset Instructions–

If experiencing error messages showing on the keypad or no response when trying to raise or lower:

- Unplug the power cord and hold the down key for 20 seconds.
- Plug the power cord back in.
- Press and hold the DOWN button on the Keypad until the desk reaches its lowest height. Release the DOWN button. Press and hold the DOWN button again until the LED display reads “RST” or about 10 seconds on non-LED handset models. Release the DOWN button. Press and hold the DOWN button again until the desk lowers a little bit more, slightly rises and stops. Release the DOWN button. Your desk is now ready to use.
- The keypad will then display the current height, and you should be able to operate it now.
- You may need to do this if the desktop is ever unplugged or loses power.

If the handset displays error messages “Er1” thru “Er13”, confirm that all wired connections are secure (legs to cables, cables to control box). Then perform the reset procedure above. If the error message persists after the reset procedure or if the height between the legs exceeds 30mm stop the reset procedure and contact support@gostand.co.uk www.gostand.co.uk

If the handset displays “Hot”, let the base cool down for 20 minutes.

If the desk seems to be uneven, try the reset instructions above. If that does not work you may need to adjust the levelers at the bottom of the foot.



In the event of a power outage or if the power cord is unplugged, a manual reset may be necessary (see Reset Instructions above)



This product is designed with a duty cycle of 10% (2 min. on, 18 min. off)



Keep Children away from electric height-adjustable desks, control units and handsets. There is a risk of injury and electric shock



Do not open any of the components: lifting columns, control box, or handset. There is a danger of electric shock



Keep all electrical components away from liquids

