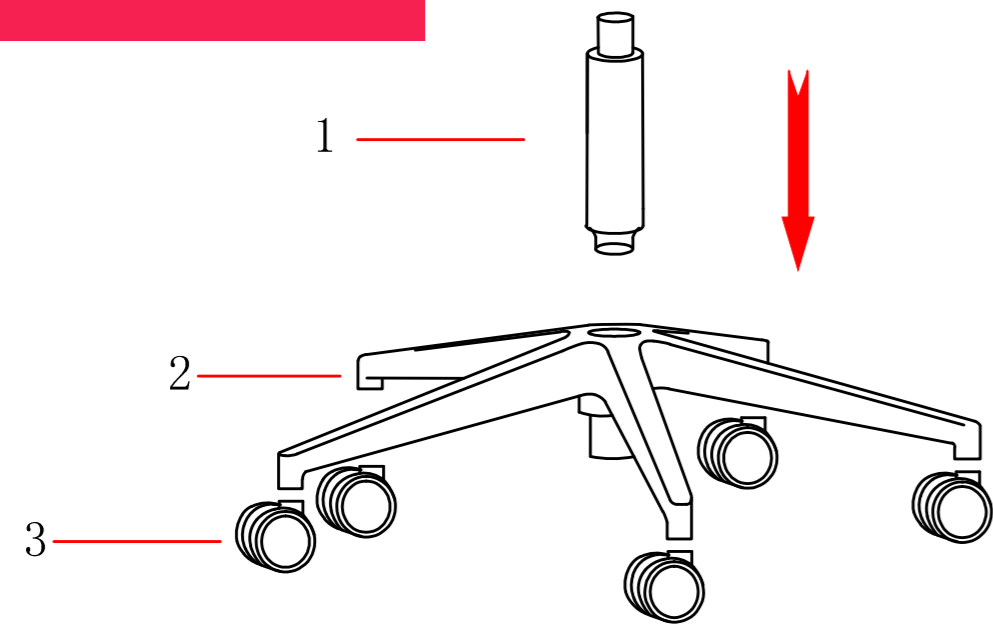
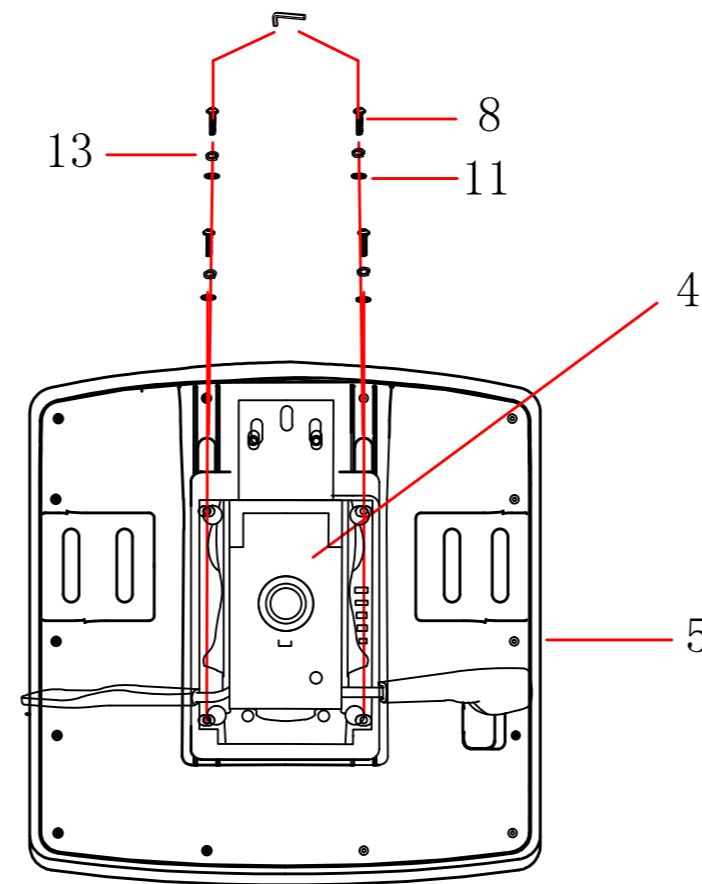




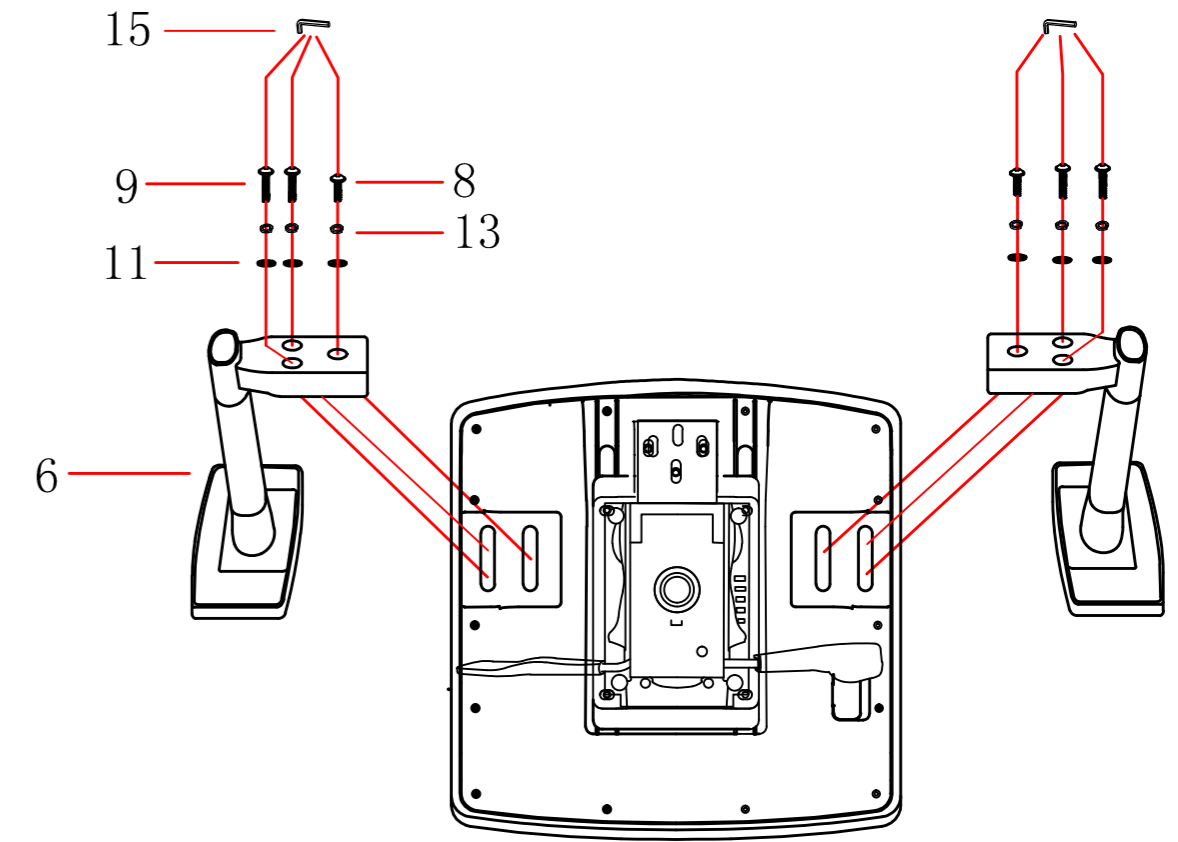
Series 1 R task Chair



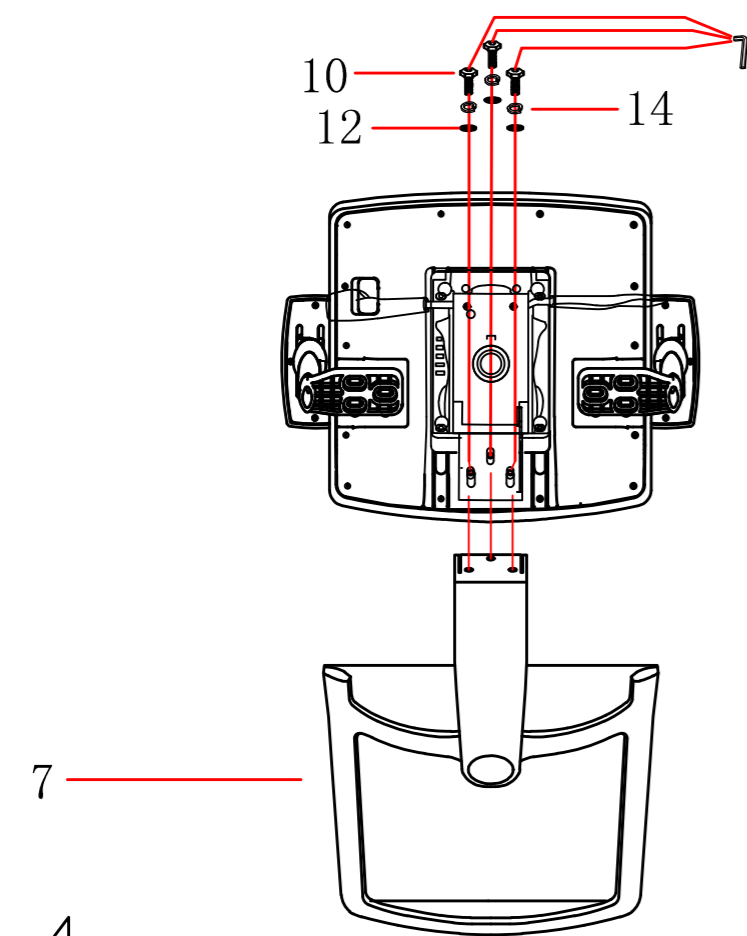
Step 1



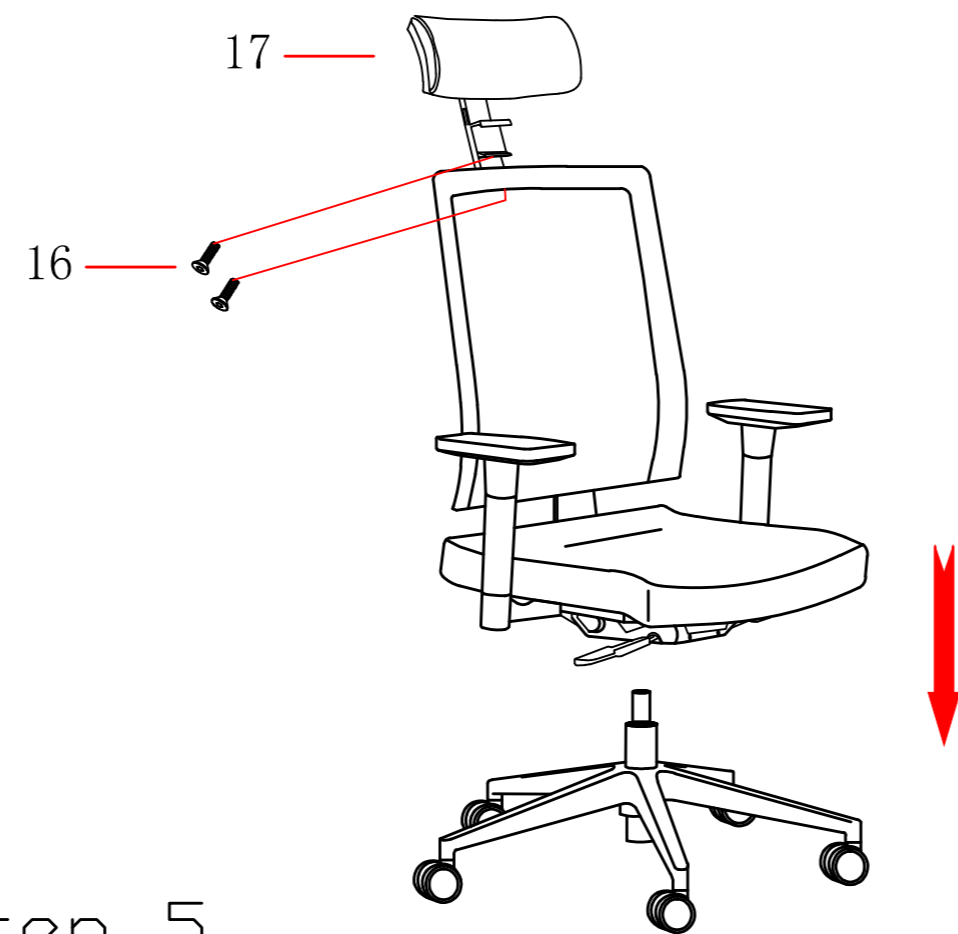
Step 2



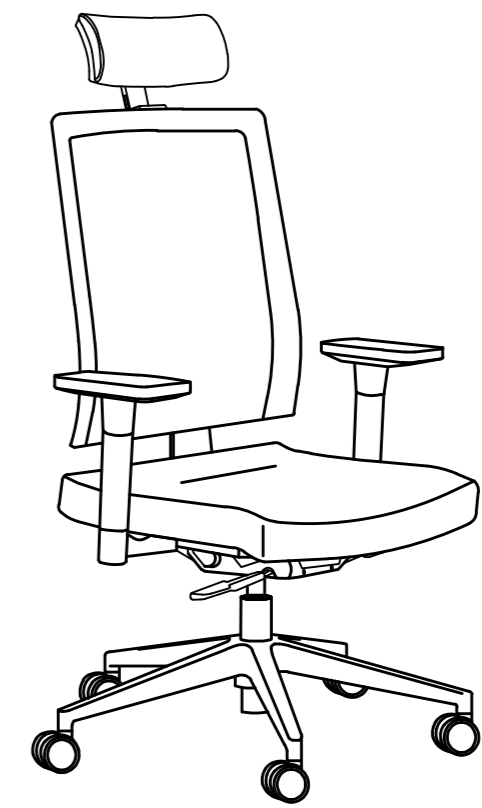
Step 3



Step 4



Step 5



Step 6

| NO. | 1 | 2 | 3 | 4 | 5 | 6 | 7 | 8 | 9 | 10 | 11 | 12 | 13 | 14 | 15 | 16 | 17 | |
|--------|------|------|------|------|------|--------|------|---------|---------|---------|-------|------|-------|------|------|---------|------|--|
| SKETCH | | | | | | | | | | | | | | | | | | |
| SIZE | | | | | | | | M6*16mm | M6*40mm | M8*20mm | M6 | M8 | M6 | M8 | M6 | M6*25mm | | |
| QTY | 1pcs | 1pcs | 5pcs | 1pcs | 1pcs | 1pairs | 1pcs | 4pcs | 6pcs | 3pcs | 10pcs | 3pcs | 10pcs | 3pcs | 1pcs | 2pcs | 1pcs | |