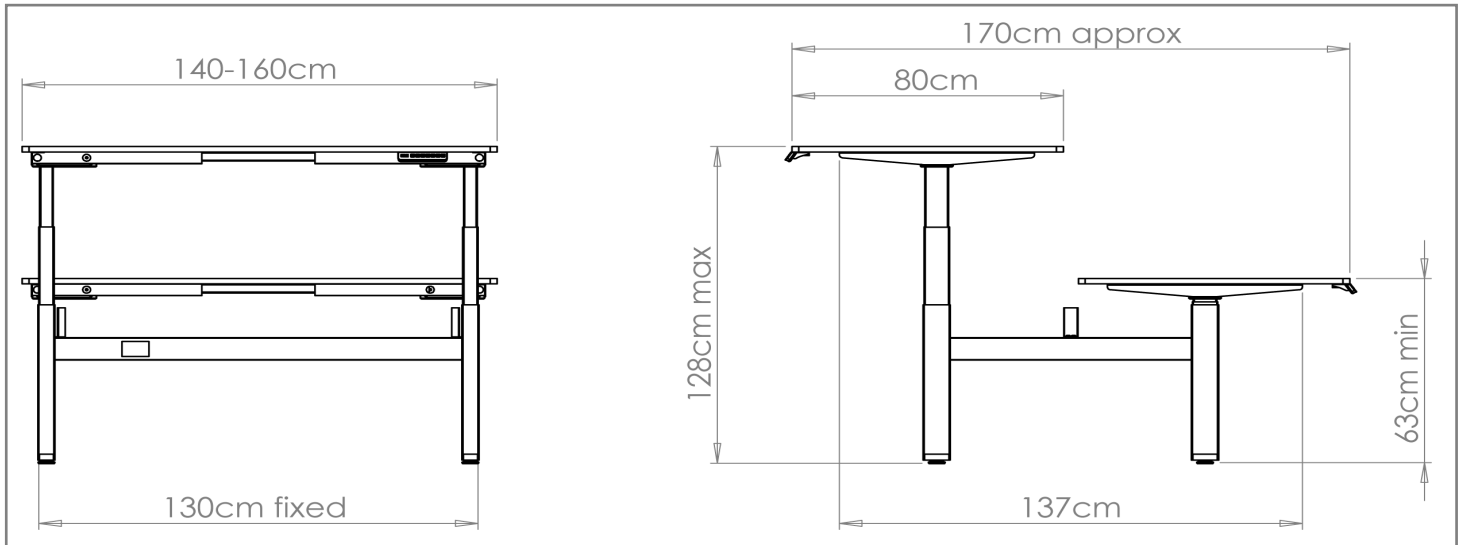


Product Drawing



Material:	Steel, Plastic
Surface Finish:	Powder coat
Color:	Grey RAL7045 Black RAL9005 White RAL 9016
Product Size:	128x170x160 cm
Weight frame:	60Kg
Weight Desk-top*:	14-22Kg
Voltage:	230V AC
Standby power:	<0.1W
Vertical speed:	40mm/s
Qty Frame:	1
Qty Desk-top:	1
Load maximum:	100Kg
Noise level:	<50dB
Actuation:	Four motor
Controller:	Up/down 4 presets
Assembly:	Required 2 hour
User Manual:	Yes

*=optional desk-top

Item codes:

SSBxxxxR1 desk version including desk-top
SSFBxxx101R frame only version

The Series 1 four motor sit-stand bench frame/desk is made from a rugged mild steel powder coated frame plus an optional hard wearing MFC desk-top. It contains:

- Four moving legs with integral motors
- Frame
- Up/down controller with 4 presets
- Adjustable feet
- MFC desk-top
- Screws and fixings
- All cables etc.

Product Image

