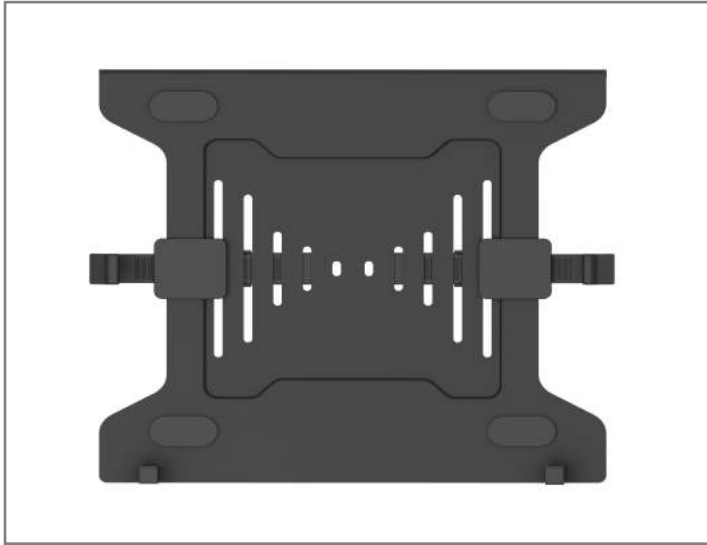
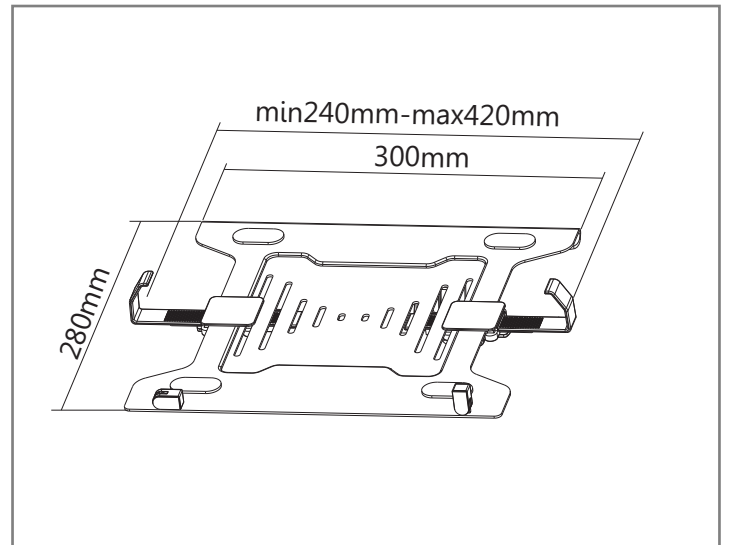


Product Image



Product Drawing



Material:	Steel, Plastic
Surface Finish:	Powder coat
Color:	Black
Product Size:	300x60x280mm
Installation:	Screws to monitor arm
Max load:	4.5Kg
Laptop size:	10"-15.5"

The SSA1005 allows any laptop up to a 420 x 280 mm footprint to be mounted to any sprung monitor stand. It means that your laptop will be at the correct height during use and can be swung or raised away from your desk when not in use.