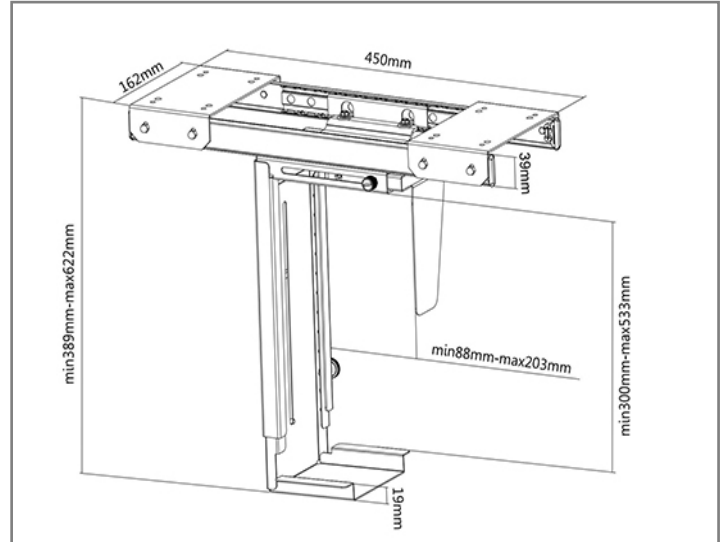


Product Image



Product Drawing



Material:	Steel
Surface Finish:	Powder Coating
Color:	Black
Product Size:	622X450X162mm
Installation:	Screws to desk base
Height Adjustable:	300mm-533mm
Width Adjustable:	88-203mm
Rated Load:	10Kg
Slide:	Yes
Screws:	Pan head 4.8x16 included
User Manual:	Yes

With the SSA1001 adjustable under-desk CPU mount, placing your CPU in a convenient, accessible place has never been easier. You'll be able to mount your CPU instead of leaving it on the floor to take up your foot space! For sit stand desks it will mean your CPU rises and falls as the desk does so your keyboard, mouse and monitor will not get pulled from the desk. 360 degree swivel ensures easy access to the cables and ports on the back of CPU. With the sliding mechanism and handy rope, you can pull out the CPU effortlessly. It's load capacity is 10kg/22lbs. The SSA1001 is not only a great organizational tool, but also reduces CPU's internal contamination and extends equipment life.