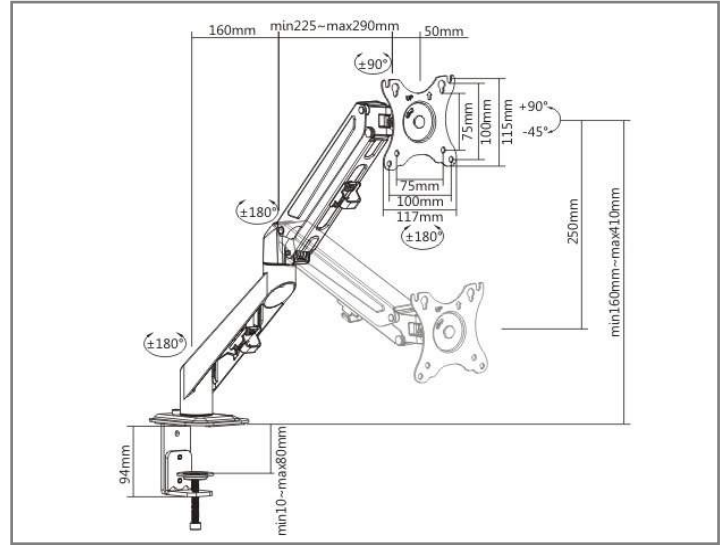


## Product Image



## Product Drawing



## SMMA1034 Specifications

Material:	Steel, Plastic, Aluminum
Surface Finish:	Powder Coating
Color:	Textured Matt Black
Product Size:	117x478x570mm
Installation:	Clamp only
Screen Size:	17"-32"
Screen Qty:	1
Weight Range:	2-6.5Kg
VESA:	100x100;75x75
Tilt:	+90° to -45°
Swivel:	+90° to -90°
Rotate:	+180° to -180°
Max. Arm Extend:	450mm
Clamp Thickness:	10-80mm
Height Adjustable :	Yes
Cable Management:	Clips
Anti-theft:	No
Curved TV:	Yes
User Manual:	Yes

## SMMA1034 Features

- Mild steel construction for durability
- Built-in Spring Tension Gauge to assist in install
- VESA Plate with keyholes for easy installation
- Freely Adjusting Height for finding an optimal ergonomic position
- Gas Sprung which perfectly counterbalances the weight of your monitor
- Clamp only installation
- Cable clips to keep cables out of the way
- Ideal for offices, homes, public areas, industrial settings, production lines and many more.

