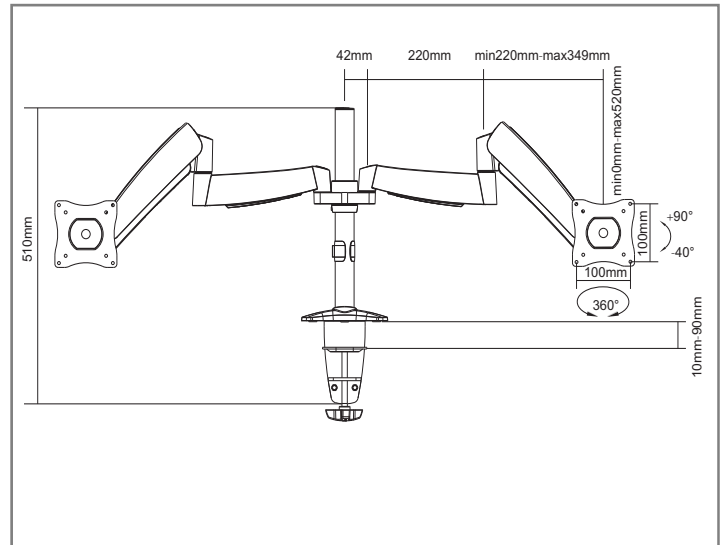


Product Image



Product Drawing



Material:	Aluminum, Steel, Plastic
Surface Finish:	Anodised
Color:	Silver
Product Size:	1222x115x510mm
Installation:	Clamp+Grommet
Screen Size:	13"-27"
Screen Qty:	2
Weight Range:	2-9Kg
Rated Load:	9Kg/19.8Lbs
VESA:	100x100;75x75
Tilt:	+90°~-40°
Swivel:	+90°~-90°
Rotate:	+180°~-180°
Arm Extend:	500mm
Clamp Thickness:	10-90mm
Height Adjustable :	YES
Cable Management:	YES
Anti-theft:	NO
Curved TV:	NO
User Manual:	Yes

The SMMA1013 is constructed primarily from die cast aluminum and is integrated with innovative counterbalance technology. The arm can hold screen up to 9kgs (19.8lbs). The built-in gas spring can be easily be adjusted to take varied weights that the arm holds. The advanced VESA plate includes -40° to +90° of fingertip tilt that enables both sit to stand and touch screen applications. The plate also allows 360° landscape to portrait viewing. A hidden cable management integrated in arm easily conceals cables beneath channel covers.