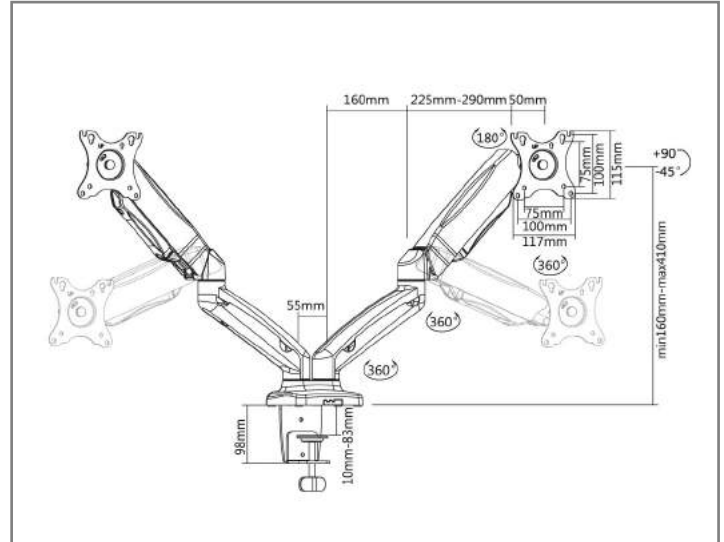


Product Image



Product Drawing



Material:	Aluminum, Steel
Surface Finish:	Powder Coating
Color:	Black
Product Size:	117X468X570mm
Installation:	Clamp+Grommet
Screen Size:	13"-27"
Screen Qty:	2
Weight Range:	2-6.5Kg
Rated Load:	6.5Kg/14.3Lbs
VESA:	100x100;75x75
Tilt:	+90°~-45°
Swivel:	+90°~-90°
Level Adjustment:	NO
Rotate:	+180°~-180°
Arm Extend:	450mm
Clamp Thickness:	10-85mm
Height Adjustable :	YES
Cable Management:	YES
Anti-theft:	NO
Curved TV:	YES
Others:	NO
User Manual:	Yes

The SMMA1007 is constructed from both mild steel, and die cast aluminum and is integrated with innovative counterbalance technology. Its new design VESA plate makes monitor installation much easier. It efficiently frees up space on your desk and this LCD monitor arm can be freely moved into the best ergonomic position. Height adjustable both arms move up, down, forward and back with just a touch. The desk arm is designed with cable management to provide a neat desk working environment. Ideal for offices, homes, public areas, industrial settings, production lines and many more.