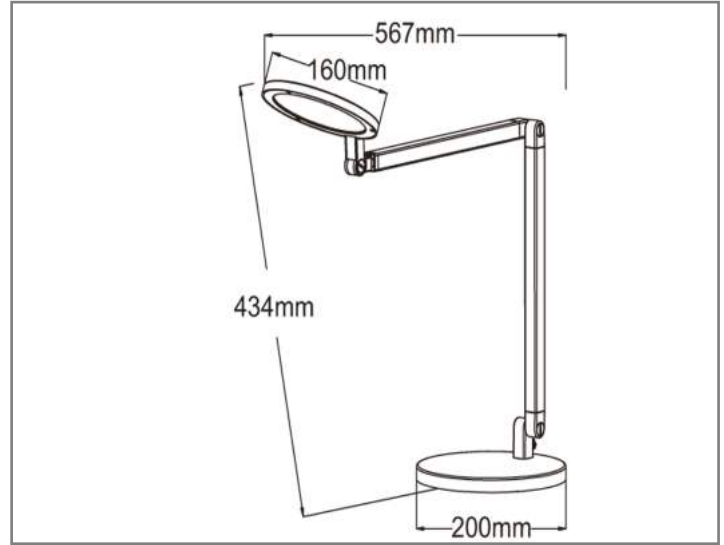


Product Image



Product Drawing



Material:	Aluminum, Steel, ABS
Surface Finish:	Paint
Color:	Black/White
Product Size:	434x567x200mm
Installation:	Clamp or base
Power:	10W
CRI:	>80 Ra
Color Temperature:	5500-6000K
Light Source:	48 off 0.2W LED
Centre Illumination:	>1000Lux@45cm height
Voltage:	12V
Current:	1A
User Manual:	Yes
Approvals:	BS/TUV/CE standard

The LEDTL1003/4 task light is constructed from mild steel, aluminum and plastic and is integrated with innovative LED technology. The design has five articulating joints meaning the light can be positioned at almost any angle. The unit comes with a heavy mild steel base or a desk clamp to minimise the footprint on your desk. The lamp is touch controlled to switch it on and off and then has stepless dimming control vibrating when the max or min light intensity is reached. The light quality itself is guaranteed by 48 separate LED's set behind a diffuser to provide soft, uniform light without glare or ghosting.