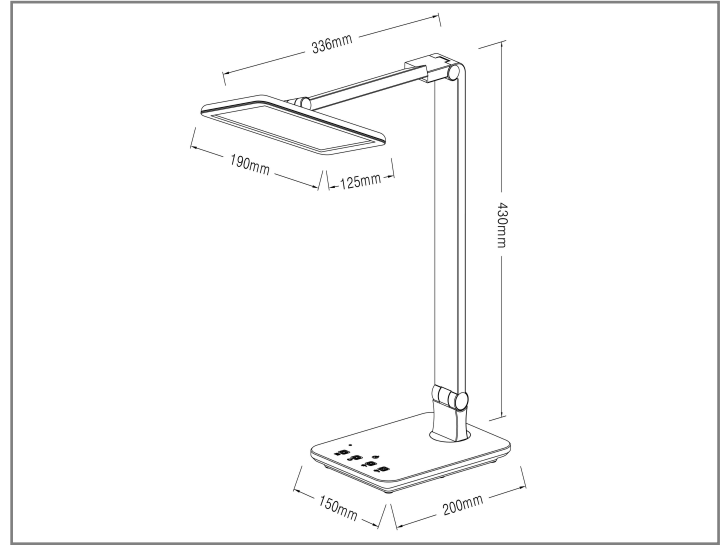


Product Image



Product Drawing



Material:	Steel: Plastic
Surface Finish:	As moulded
Color:	Black/White
Product Size:	370x150x435mm
Installation:	Freestanding
Power:	20W
CRI:	>80 Ra
Color Temperature:	2700-6500K 255 levels
Light Source:	60 off 0.5W LED
Centre Illumination:	>1000Lux@45cm height
Voltage:	12V
Current:	1.5A
User Manual:	Yes
Approvals:	BS/TUV/CE standard

The LEDTL1001/2 task light is constructed from mild steel and plastic and is integrated with innovative LED technology. The design has five articulating joints meaning the light can be positioned at almost any angle. The unit comes with a heavy mild steel base into which are built the control electronics. The lamp is touch controlled to switch it on and off and then has stepless dimming control vibrating when the max or min light intensity is reached. It has also been designed with variable light temperature so that it can be set to blue light in the morning to wake you up and warmer light in the evening to allow you to begin to relax after a days work. The light quality itself is guaranteed by 60 separate LEDs set behind a diffuser to provide soft, uniform light without glare or ghosting. The unit also comes with a 5V 1A USB charging port.