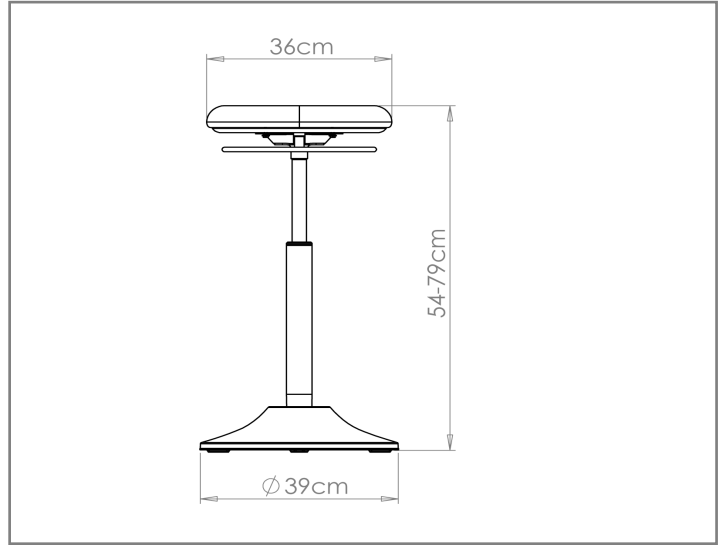


Product Image



Product Drawing



Material:	Steel, Foam, Fabric
Height adjustment:	Gas spring
Weight:	10Kg
Tilt angle:	10 Degrees approx.
Finish:	Powder coat
Fire retardant:	Yes
Colour metal:	Black/White
Colour fabric:	Green/Black/Blue/Grey



The Series 1 M stool is an ergonomic stool which allows the user to correctly set their hip angle and thus correct the curvature of the thoracic and lumbar spine. With a good height adjustment it is ideal for both sitting and perching at a sit-stand desk. The stool rotates through 360 degrees and has a foam padded seat cushion which is treated with a DuPont fabric protector.