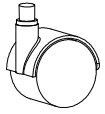


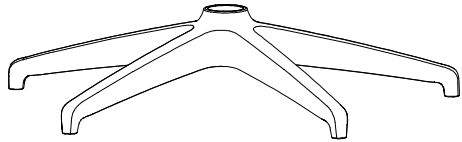
# TCA1001BL

A



5PCS

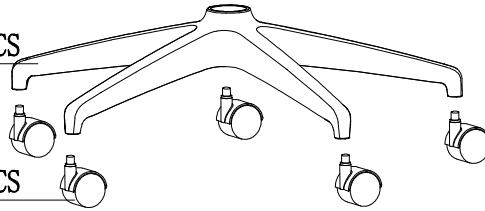
B



1PCS

B 1PCS

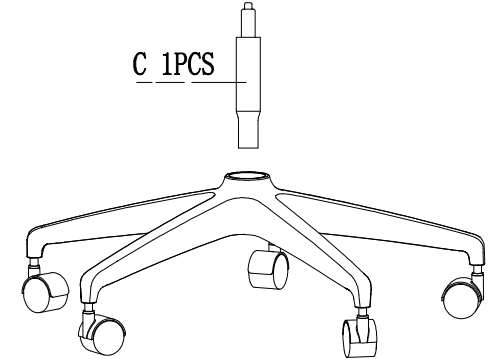
A 5PCS



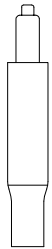
①

C 1PCS

②



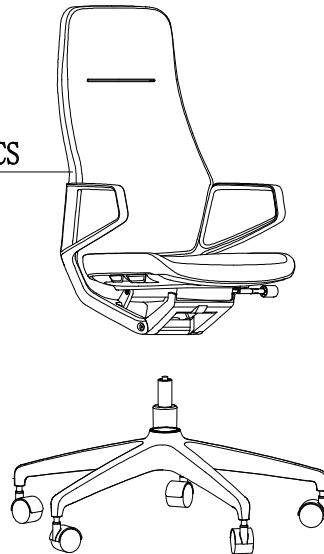
C



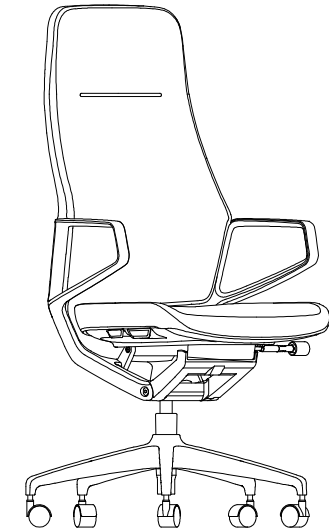
1PCS

D 1PCS

③



④



D

1PCS

