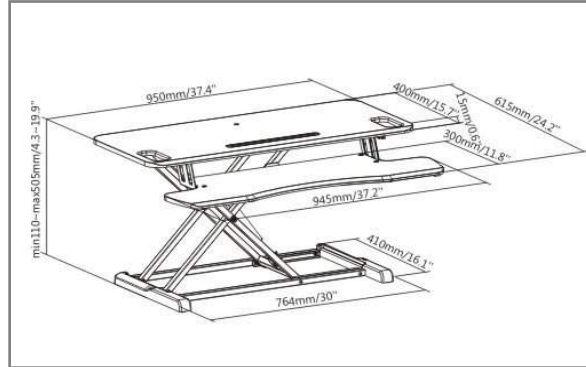


Product Image



Product Drawing



Material:	Steel, Plastic, MDF
Surface Finish:	Powder coat
Color:	Black
Desk-top thickness:	15mm
Desk-top size:	950mm x 400mm
Desk height range:	110 to 505mm
Product Size:	950x615x110mm folded down
Product Size:	950x615x 505mm up position
Installation:	Freestanding
Worksurface load:	15Kg max
Keyboard load:	2Kg max
Height Adjustment:	Manual

The DTSSW1016 is an ultra easy sit-stand solution designed with a spacious upper display surface and lower keyboard and mouse desk. It features gas-lift assisted lift mechanism that lets you switch easily between sitting and standing in just a few seconds. It also holds up to 15kg/33lbs, while staying steady and solid at any height. Simple to start enjoying the health benefits of standing while you work.

DTSSW 1016 differs from DTSSW1015 in that it has upgraded quality work surfaces which are made from particleboard and melamine rather than MDF.