



*coffeeing the World*

# SILVIA PRO X



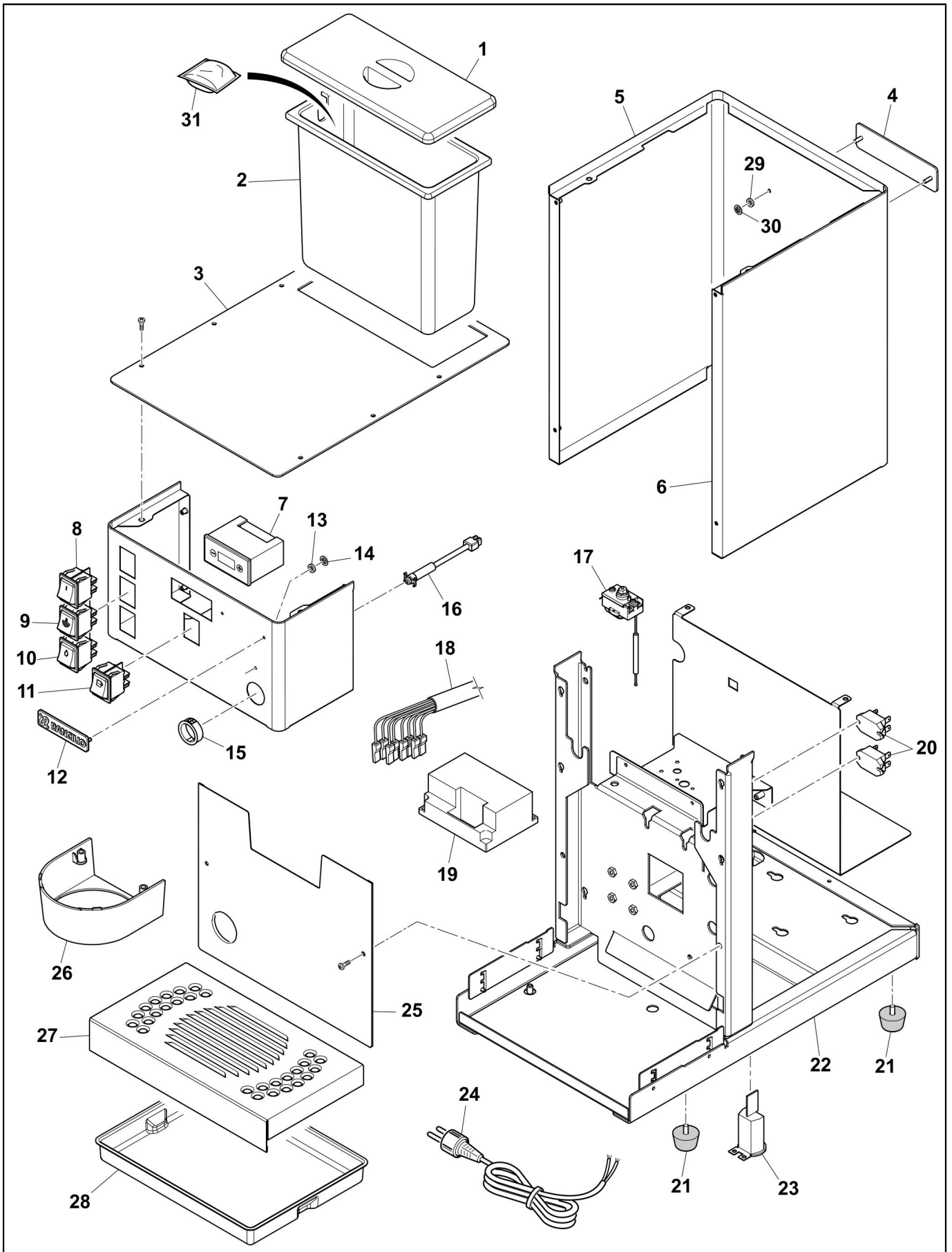
HOME LINE



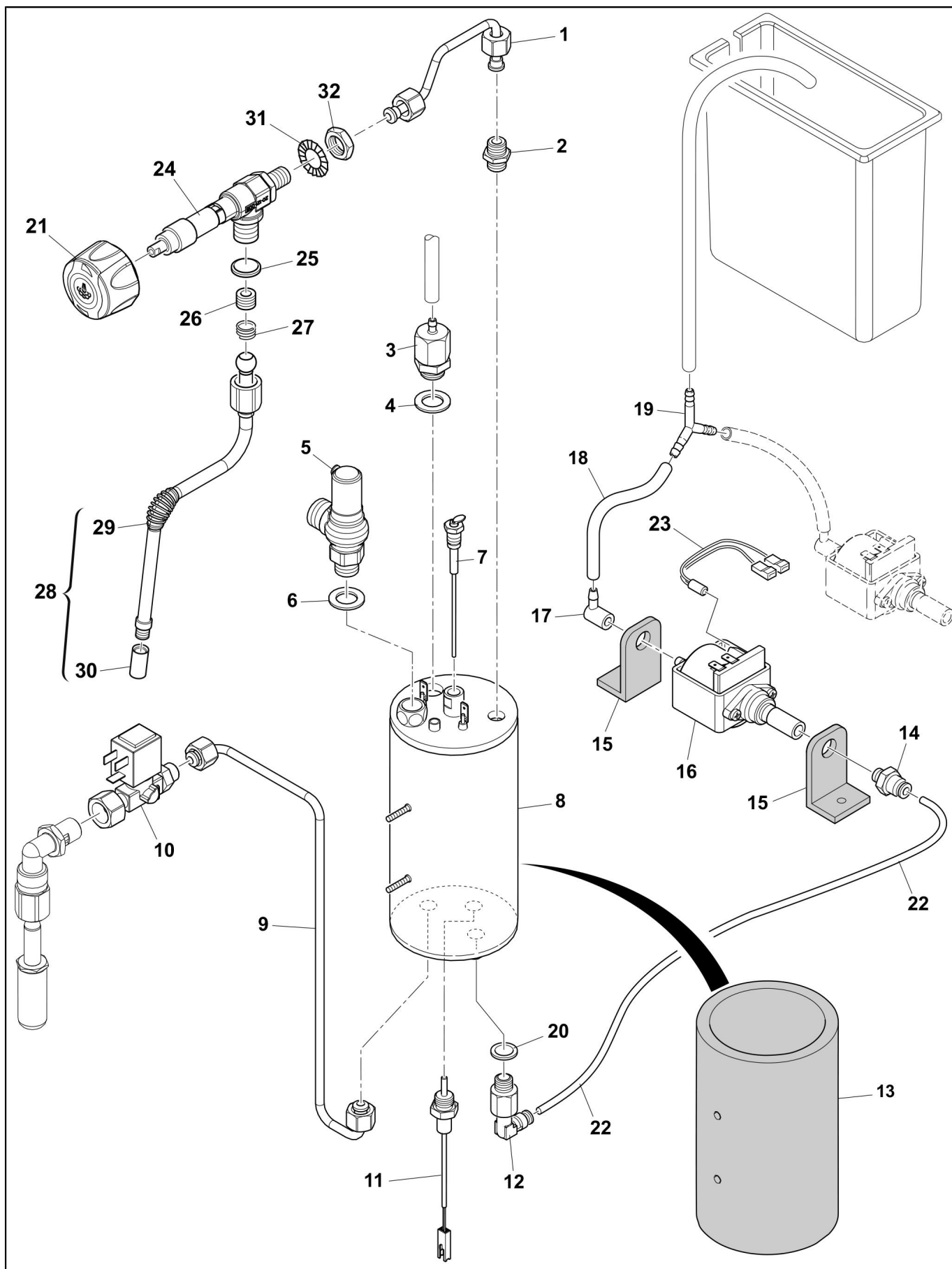
*coffeeing the World*

## Index

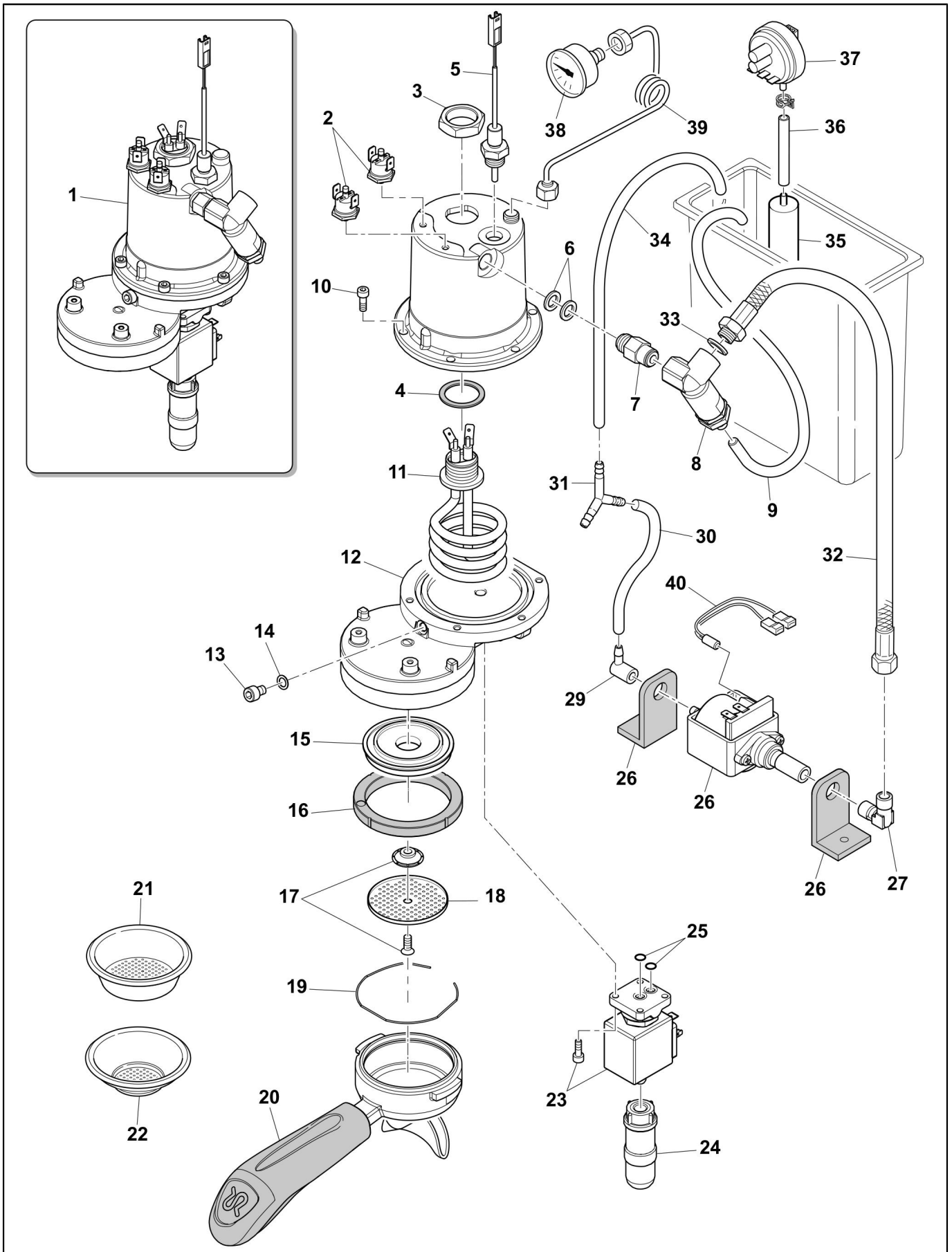
|  |    |
|--|----|
| Table 14001/21 - CARROZZERIA SILVIA PRO X..... | 4  |
| Table 14005/20 - SISTEMA VAPORE.....           | 6  |
| Table 14004/21 - SISTEMA CAFFE X.....          | 8  |
| Alphanumeric index.....                        | 10 |



| POS. | CODE      | DESCRIPTION                                 | NOTES |
|------|-----------|---|-------|
| 1    | 38123011  | Lid   |       |
| 2    | 38120334  | Water Tank 2L                               |       |
| 3    | 32332214  | Top Lid Silvia Pro                          |       |
| 4    | 42200122  | Rancilio Plate Mm115                        |       |
| 5    | 32332213  | Rear Panel Silvia Pro                       |       |
|      | 32332213A | POSTERIORE SILVIA PRO-AI-NERO               |       |
|      | 32332213B | POSTERIORE SILVIA PRO-AI-BIANCO             |       |
| 6    | 32332213  | Rear Panel Silvia Pro                       |       |
|      | 32332213A | POSTERIORE SILVIA PRO-AI-NERO               |       |
|      | 32332213B | POSTERIORE SILVIA PRO-AI-BIANCO             |       |
| 7    | 10701630  | Display Silvia Pro Assy.                    |       |
| 8    | 34030156  | Main Switch Silvia pro                      |       |
| 9    | 34030154  | Steam Switch Silvia Pro                     |       |
| 10   | 34030155  | Water Switch Silvia Pro                     |       |
| 11   | 34030153  | Coffee Switch Silvia Pro                    |       |
| 12   | 42200121  | Rancilio Plate Mm 70                        |       |
| 13   | 36201006  | Rubber Heat-Cup Washer                      |       |
| 14   | 37900505  | Round Fixer D3 H106                         |       |
| 15   | 32332210  | Control Panel Silvia Pro                    |       |
| 16   | 34030128  | White Light Steam Silvia Pro                |       |
| 17   | 34200351  | Thermostat 150 230V Steam Boiler            |       |
|      | 34200354  | High Limit Thermostat 165/15 110V UI        |       |
| 18   | 10110020  | Wiring Silvia Pro 230V                      |       |
|      | 10110021  | Wiring Silvia Pro 110V                      |       |
| 19   | 34070325  | Electronic Board Silvia Pro                 |       |
| 20   | 34200378  | RELE'STATO SOLIDO 25A - 230V                |       |
| 21   | 36310019  | Foot Gum 36x15                              |       |
| 22   | 10880187P | TELAIO VERNICIATO SILVIA PRO-AI-PROVVISORIO |       |
| 23   | 34200271  | Clamp Vertical Wiring Fixer                 |       |
| 24   | 34300049  | Cable With Plug                             |       |
|      | 34300109  | Cable H07Rn-F 3Gx1,5 L=2000+Plug            |       |
| 25   | 32332399  | MASCHERINA PER MANOMETRO SILVIA PRO         |       |
| 26   | 38120346  | Group Cover Silvia Pro                      |       |
| 27   | 32332215  | Cup Tray Grid Silvia Pro                    |       |
| 28   | 32332233  | Drain Tray Silvia Pro                       |       |
| 29   | 36201006  | Rubber Heat-Cup Washer                      |       |
| 30   | 37900505  | Round Fixer D3 H106                         |       |
| 31   | 69000408  | Coffee Cleaning Tablets Jar 100Tab          |       |
|      | 69000838  | BWT Softner Bag                             |       |
| 32   | 32332232  | RIALZI GRIGLIA SILVIA PRO-AI-               |       |
|      | 37901005  | Nut Moving Outlet                           |       |



| POS. | CODE     | DESCRIPTION                            | NOTES   |
|------|----------|--|---|
| 1    | 10042268 | Steam Tap Pipe                         |   |
| 2    | 23000274 | Connector M1/4 X M1/4 Gas              |   |
| 3    | 10060053 | A.V. Valve B9                          |   |
| 4    | 36220009 | Gasket Nut Note Teflon                 |   |
| 5    | 10060529 | Safety Valve 1,9 Bar 3/8"              |   |
| 6    | 00019974 | Gasket 14,8 X 9 X 2 Copper             |   |
| 7    | 10701803 | Kit Level Probe with nut               |   |
| 8    | 10020041 | Steam Boiler 230v                      |   |
|      | 10020043 | Steam Boiler 110v                      |   |
|      | 69200141 | Elbow Connector G1/4X6 Ppsu            | from/da 10342524 for 230v 11/11/20 from/<br>da 10345397 for 110v 13/01/21 |
| 9    | 10042269 | Hot Water Tap Pipe                     |   |
| 10   | 10701406 | Hot Water Wand+Extension Classe 5      |   |
|      | 10701597 | Electrovalve Hot Water 110v            |   |
|      | 10701668 | Electrovalve Hot Water 2300v           |   |
|      | 20200113 | Hot Water Connection Brass             |   |
|      | 23000373 | Extension Water Wand Classe 5          |   |
| 11   | 10701642 | Temperature Sensor With O-Ring         |   |
|      | 36404054 | O-Ring 12,42 X 1,78 V 70Sh 2050        |   |
| 12   | 69200141 | Elbow Connector G1/4X6 Ppsu            | from/da 10342524 for 230v 11/11/20 from/<br>da 10345397 for 110v 13/01/21 |
| 13   | 69000416 | Boiler Insulation Steam Boiler B9      |   |
| 14   | 69200135 | Straight Connector G1/8 X 6            | from/da 10342524 for 230v 11/11/20 from/<br>da 10345397 for 110v 13/01/21 |
| 15   | 36990056 | Anti-Vibrating Device Ulka             |   |
| 16   | 10701788 | ASSIEME CARICO CALDAIA SILVIA PRO 230V | from/da 10342524 for 230v 11/11/20 from/<br>da 10345397 for 110v 13/01/21 |
|      | 10701790 | ASSIEME CARICO CALDAIA SILVIA PRO 120V | from/da 10342524 for 230v 11/11/20 from/<br>da 10345397 for 110v 13/01/21 |
|      | 34011023 | Pump 120V 60Hz                         |   |
|      | 34011026 | Pump 220-230V 50Hz                     |   |
| 17   | 38121034 | Pipe Connector Ep5                     |   |
| 18   | 38228002 | Silicone Hose D. 9X6X560               |   |
| 19   | 00055748 | Y Unit D. 6 Mm                         |   |
| 20   | 00019974 | Gasket 14,8 X 9 X 2 Copper             |   |
| 21   | 10060190 | Steam Handle Assy.                     |   |
| 22   | 10701871 | RETROFIT KIT BOILER PIPE SILVIA PRO    |   |
|      | 38228073 | Teflon Hose Fep D. 6 X 4               | from/da 10342524 for 230v 11/11/20 from/<br>da 10345397 for 110v 13/01/21 |
| 23   | 34200044 | Thermal 2Mmt 120&#164;                 |   |
| 24   | 10701632 | RUBINETTO+SNODO VAPORE SILVIA PRO      |   |
|      | 10701667 | RUBINETTO+SNODO VAPORE SILVIA PRO ETL  |   |
| 25   | 36220009 | Gasket Nut Note Teflon                 |   |
| 26   | 39110038 | Spring Connection Steam Tap            |   |
| 27   | 36930016 | Gasket Teflon Connection Steam Wand    |   |
| 28   | 10049112 | Steam Pipe Inox Lg 25                  |   |
| 29   | 36990004 | Rubber For Steam Pipes                 |   |
| 30   | 23000121 | Sprayer Lg25 D1.1 4holes               |   |
|      | 23000426 | Steam Sprayer 3 Holes 1,1 Inox         |   |
| 31   | 37431600 | Outer Toothed Washer D16               |   |
| 32   | 23217005 | Low Nut 1/4" Gas                       |   |





| POS. | CODE         | DESCRIPTION                                       | NOTES |
|------|--------------|---|-------|
| 1    | 10051011     | Brewing Group Silvia Pro assy. 230v               |       |
|      | 10051012     | Brewing Group Silvia Pro assy. 110v               |       |
| 2    | 00100300.001 | Temperature Limiter 140 C                         |       |
| 3    | 23000237     | Nut M22 Heating Element Inox Boiler Silvia        |       |
| 4    | 36220023     | Gasket 30 X 22,5 X 2 Boiler Silvia                |       |
| 5    | 10701642     | Temperature Sensor With O-Ring                    |       |
|      | 36404054     | O-Ring 12,42 X 1,78 V 70Sh 2050                   |       |
| 6    | 36240006     | Gasket 11 X 7 X 1,5                               |       |
| 7    | 23000256     | Boiler-Exp. Valve Connector                       |       |
| 8    | 10060406     | Expansion Valve Miss                              |       |
| 9    | 38228002     | Silicone Hose D. 9X6X560                          |       |
| 10   | 37060514     | Screw M5 X 12 Tcei Iso 4762                       |       |
| 11   | 10705638     | Kit Heating Element+Gasket 110-120V Silvia        |       |
|      | 10705639     | Kit Heating Element+Gasket 220-240V               |       |
| 12   | 20103022D    | Group Head Silvia                                 |       |
| 13   | 37060608     | Screw M 6 X 8                                     |       |
| 14   | 36240001     | Gasket Copper                                     |       |
| 15   | 20200182     | Shower Holder Brass                               |       |
| 16   | 36301030     | Gasket Brewing Group                              |       |
| 17   | 10701784     | Group Jetbreaker with screw/20                    |       |
| 18   | 40200005     | Shower Net  |       |
| 19   | 25105001     | Filter Spring                                     |       |
| 20   | 10071053R    | PORTAF.MANOP.GOMMA MY20 SILVIA PRO X CONFEZIONATO |       |
| 21   | 40100107     | 16Gr Filter Inox                                  |       |
| 22   | 40100106     | 8Gr Filter Inox                                   |       |
| 23   | 34040050     | Electrovalve ODE 3 way 220-240v/5060HZ            |       |
|      | 34040051     | Electrovalve ODE 3 way 110-120/50-60HZ            |       |
| 24   | 10090002     | Therm.Group Jetbreaker                            |       |
| 25   | 36402005     | O-Ring Electrovalve                               |       |
| 26   | 10701787     | ASSIEME POMPA GRUPPO SILVIA PRO 230V              |       |
|      | 10701789     | ASSIEME POMPA GRUPPO SILVIA PRO 120V              |       |
|      | 34011023     | Pump 120V 60Hz                                    |       |
|      | 34011026     | Pump 220-230V 50Hz                                |       |
|      | 36990056     | Anti-Vibrating Device Ulka                        |       |
| 27   | 69200121     | Elbow Connector M1/8-M1/8                         |       |
| 29   | 38121034     | Pipe Connector Ep5                                |       |
| 30   | 38228002     | Silicone Hose D. 9X6X560                          |       |
| 31   | 00055748     | Y Unit D. 6 Mm                                    |       |
| 32   | 69000616     | Pipe Flex Inox 6x490 1/8F-1/8M                    |       |
| 33   | 27350001     | Gasket 3/8 X 1 Copper                             |       |
|      | 27350002     | Gasket 3/8 X 1,5 Copper                           |       |
| 34   | 38228002     | Silicone Hose D. 9X6X560                          |       |
| 35   | 38120333     | Air Trap Tank                                     |       |
| 36   | 38228050     | Pvc Feeding Pipe D4X7                             |       |
| 37   | 34200061     | Pressure Switch                                   |       |
| 38   | 35002509     | Manometer Pompe 0-16 D. 44                        |       |
| 39   | 69000387     | Pipe Capillary Manometer F1/8-F1/4                |       |
| 40   | 34200044     | Thermal 2Mmt 120&#164;                            |       |

| Code         | No. table | Pos. |
|--------------|-----------|------|
| 00019974     | 14005/20  | 20   |
| 00019974     | 14005/20  | 6    |
| 00055748     | 14004/21  | 31   |
| 00055748     | 14005/20  | 19   |
| 00100300.001 | 14004/21  | 2    |
| 10020041     | 14005/20  | 8    |
| 10020043     | 14005/20  | 8    |
| 10042268     | 14005/20  | 1    |
| 10042269     | 14005/20  | 9    |
| 10049112     | 14005/20  | 28   |
| 10051011     | 14004/21  | 1    |
| 10051012     | 14004/21  | 1    |
| 10060053     | 14005/20  | 3    |
| 10060190     | 14005/20  | 21   |
| 10060406     | 14004/21  | 8    |
| 10060529     | 14005/20  | 5    |
| 10071053R    | 14004/21  | 20   |
| 10090002     | 14004/21  | 24   |
| 10110020     | 14001/21  | 18   |
| 10110021     | 14001/21  | 18   |
| 10701406     | 14005/20  | 10   |
| 10701597     | 14005/20  | 10   |
| 10701630     | 14001/21  | 7    |
| 10701632     | 14005/20  | 24   |
| 10701642     | 14004/21  | 5    |
| 10701642     | 14005/20  | 11   |
| 10701667     | 14005/20  | 24   |
| 10701668     | 14005/20  | 10   |
| 10701784     | 14004/21  | 17   |
| 10701787     | 14004/21  | 26   |
| 10701788     | 14005/20  | 16   |
| 10701789     | 14004/21  | 26   |
| 10701790     | 14005/20  | 16   |
| 10701803     | 14005/20  | 7    |
| 10701871     | 14005/20  | 22   |
| 10705638     | 14004/21  | 11   |
| 10705639     | 14004/21  | 11   |
| 10880187P    | 14001/21  | 22   |
| 20103022D    | 14004/21  | 12   |
| 20200113     | 14005/20  | 10   |
| 20200182     | 14004/21  | 15   |
| 23000121     | 14005/20  | 30   |
| 23000237     | 14004/21  | 3    |
| 23000256     | 14004/21  | 7    |
| 23000274     | 14005/20  | 2    |
| 23000373     | 14005/20  | 10   |
| 23000426     | 14005/20  | 30   |
| 23217005     | 14005/20  | 32   |
| 25105001     | 14004/21  | 19   |
| 27350001     | 14004/21  | 33   |
| 27350002     | 14004/21  | 33   |
| 32332210     | 14001/21  | 15   |
| 32332213     | 14001/21  | 5    |
| 32332213     | 14001/21  | 6    |
| 32332213A    | 14001/21  | 5    |
| 32332213A    | 14001/21  | 6    |
| 32332213B    | 14001/21  | 5    |
| 32332213B    | 14001/21  | 6    |
| 32332214     | 14001/21  | 3    |
| 32332215     | 14001/21  | 27   |
| 32332232     | 14001/21  | 32   |
| 32332233     | 14001/21  | 28   |
| 32332399     | 14001/21  | 25   |
| 34011023     | 14004/21  | 26   |
| 34011023     | 14005/20  | 16   |
| 34011026     | 14004/21  | 26   |
| 34011026     | 14005/20  | 16   |

| Code     | No. table | Pos. |
|----------|-----------|------|
| 34030128 | 14001/21  | 16   |
| 34030153 | 14001/21  | 11   |
| 34030154 | 14001/21  | 9    |
| 34030155 | 14001/21  | 10   |
| 34030156 | 14001/21  | 8    |
| 34040050 | 14004/21  | 23   |
| 34040051 | 14004/21  | 23   |
| 34070325 | 14001/21  | 19   |
| 34200044 | 14004/21  | 40   |
| 34200044 | 14005/20  | 23   |
| 34200061 | 14004/21  | 37   |
| 34200271 | 14001/21  | 23   |
| 34200351 | 14001/21  | 17   |
| 34200354 | 14001/21  | 17   |
| 34200378 | 14001/21  | 20   |
| 34300049 | 14001/21  | 24   |
| 34300109 | 14001/21  | 24   |
| 35002509 | 14004/21  | 38   |
| 36201006 | 14001/21  | 13   |
| 36201006 | 14001/21  | 29   |
| 36220009 | 14005/20  | 25   |
| 36220009 | 14005/20  | 4    |
| 36220023 | 14004/21  | 4    |
| 36240001 | 14004/21  | 14   |
| 36240006 | 14004/21  | 6    |
| 36301030 | 14004/21  | 16   |
| 36310019 | 14001/21  | 21   |
| 36402005 | 14004/21  | 25   |
| 36404054 | 14004/21  | 5    |
| 36404054 | 14005/20  | 11   |
| 36930016 | 14005/20  | 27   |
| 36990004 | 14005/20  | 29   |
| 36990056 | 14004/21  | 26   |
| 36990056 | 14005/20  | 15   |
| 37060514 | 14004/21  | 10   |
| 37060608 | 14004/21  | 13   |
| 37431600 | 14005/20  | 31   |
| 37900505 | 14001/21  | 14   |
| 37900505 | 14001/21  | 30   |
| 37901005 | 14001/21  | 32   |
| 38120333 | 14004/21  | 35   |
| 38120334 | 14001/21  | 2    |
| 38120346 | 14001/21  | 26   |
| 38121034 | 14004/21  | 29   |
| 38121034 | 14005/20  | 17   |
| 38123011 | 14001/21  | 1    |
| 38228002 | 14004/21  | 30   |
| 38228002 | 14004/21  | 34   |
| 38228002 | 14004/21  | 9    |
| 38228002 | 14005/20  | 18   |
| 38228050 | 14004/21  | 36   |
| 38228073 | 14005/20  | 22   |
| 39110038 | 14005/20  | 26   |
| 40100106 | 14004/21  | 22   |
| 40100107 | 14004/21  | 21   |
| 40200005 | 14004/21  | 18   |
| 42200121 | 14001/21  | 12   |
| 42200122 | 14001/21  | 4    |
| 69000387 | 14004/21  | 39   |
| 69000408 | 14001/21  | 31   |
| 69000416 | 14005/20  | 13   |
| 69000616 | 14004/21  | 32   |
| 69000838 | 14001/21  | 31   |
| 69200121 | 14004/21  | 27   |
| 69200135 | 14005/20  | 14   |
| 69200141 | 14005/20  | 12   |
| 69200141 | 14005/20  | 8    |





## Headquarters, Production Plant and R&D Centers

### Rancilio Group s.p.a.

Viale della Repubblica 40  
20010 Villastanza di Parabiago  
Milano - Italy  
Tel +39 0331 408200  
Fax +39 0331 551437  
[www.ranciliogroup.com](http://www.ranciliogroup.com)  
[info@ranciliogroup.com](mailto:info@ranciliogroup.com)

### Egro Suisse AG

Bahnhofstrasse 66  
5605 Dottikon, Switzerland  
Tel. +41 (0)56 616 95 95  
Fax +41 (0)56 616 95 97  
[www.egrocoffee.com](http://www.egrocoffee.com)  
[info@egrocoffee.com](mailto:info@egrocoffee.com)

## Worldwide Branch Locations

### SPAIN

RancilioGroup Espana, s.a.  
Gran Via de Carlos III, 84 3ª  
Edificio Trade  
08028 Barcelona - Spain  
Tel. +34 902 884 275  
Tel. +34 934 923 414  
Fax +34 934 965 701  
[www.ranciliogroup.com](http://www.ranciliogroup.com)  
[info-es@ranciliogroup.com](mailto:info-es@ranciliogroup.com)

### PORTUGAL

Rancilio Group Portugal Lda  
Estrada da Falagueira nº 68 E  
2700-365 Amadora-Lisboa - Portugal  
Tel. +351 21 019 10 91  
Fax +351 21 019 10 91  
  
Rua Nova do Seixo 1282  
4465-706 Leça do Balio-Porto - Portugal  
Tel. +351 22 010 14 19  
Fax +351 22 010 14 19  
[www.ranciliogroup.com](http://www.ranciliogroup.com)  
[info-pt@ranciliogroup.com](mailto:info-pt@ranciliogroup.com)

### GERMANY

Rancilio Group Deutschland GmbH  
Talstrasse 27  
97990 Weikersheim - Germany  
Ph. +49 7934 99 29 30  
Fax +49 7934 99 29 330  
[www.ranciliogroup.de](http://www.ranciliogroup.de)  
[info-de@ranciliogroup.com](mailto:info-de@ranciliogroup.com)

### SWITZERLAND

Egro Suisse AG  
Bahnhofstrasse 66  
5605 Dottikon - Switzerland  
Tel. +41 (0)56 616 95 95  
Fax +41 (0)56 616 95 97  
[www.egrosuisse.ch](http://www.egrosuisse.ch)  
[info@egrosuisse.ch](mailto:info@egrosuisse.ch)

### USA/CANADA

Rancilio Group North America Inc.  
1340 Internationale Parkway / Suite 200  
Woodridge, IL 60517 - U.S.A.  
Ph: +1 630 914 7900  
Fax: +1 630 914 7901  
Toll Free: +1 877 726 2454  
[www.ranciliogroup.com](http://www.ranciliogroup.com)  
[info@ranciliogroupna.com](mailto:info@ranciliogroupna.com)

