

Pantech

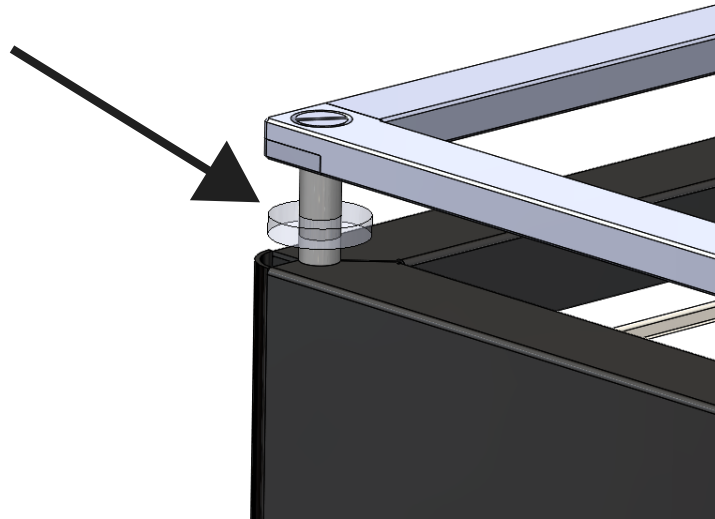
nicon Cup Rail for Linea Mini
Installation Instructions

Thanks for your purchase of this Pantech

nicon Cup Rail for the Linea Mini!

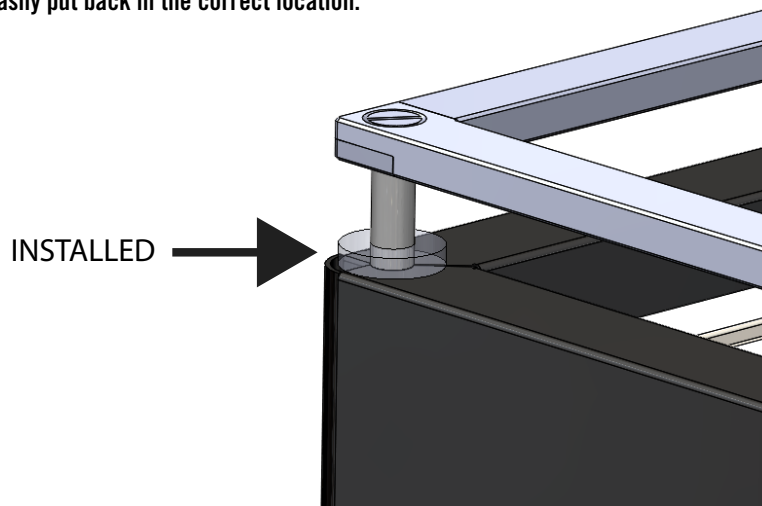
Step 1. Clean off the top of the machine where the rail goes with windex or similar cleaner to remove any dust or oil.

Step 2. Peel off adhesive backing and position the supplied locating rings about 1/4" up the legs as shown.



Step 2. Place your cup rail on top of your machine and center left/right and front/back. There are magnets in each leg to help it stay put.

Step 3. Slide the adhesive backed locators onto the top of the machine body. Repeat for all legs. Now you can remove the rail if needed and easily put back in the correct location.



Let us know if you have any comments or feedback, and go do something nice for somebody!

Best,
Jacob