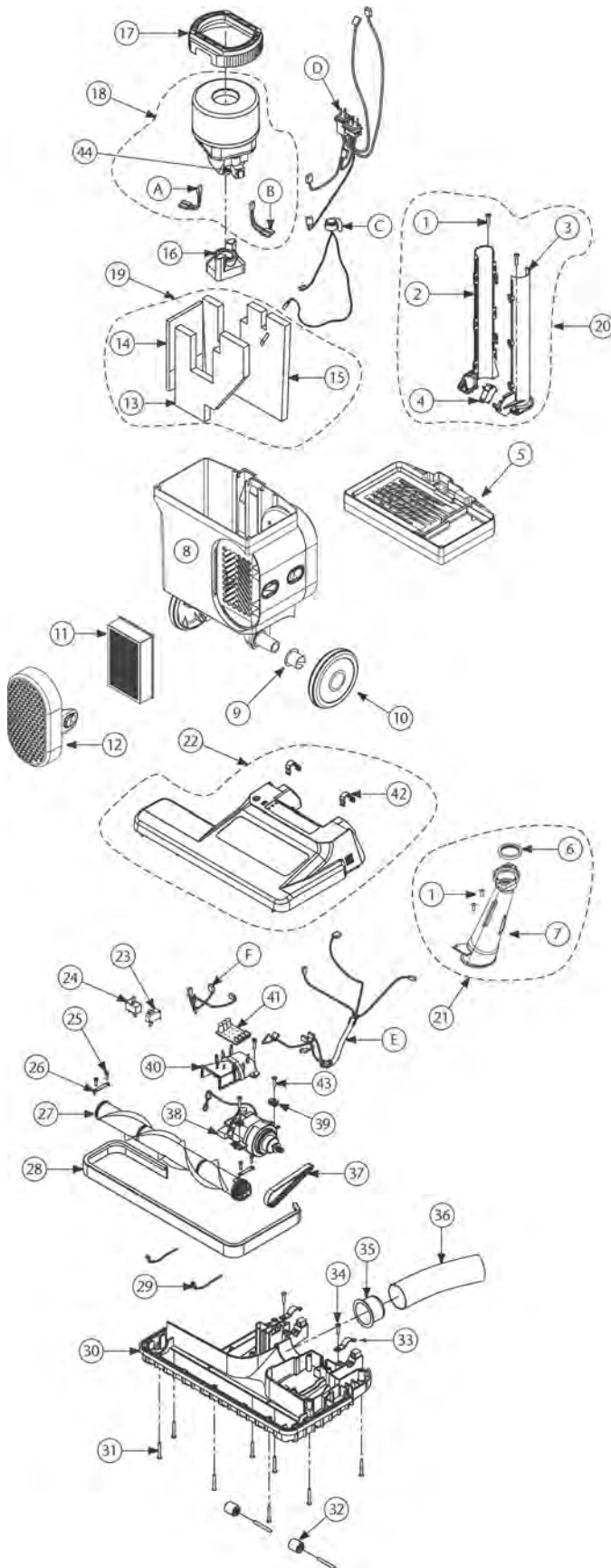
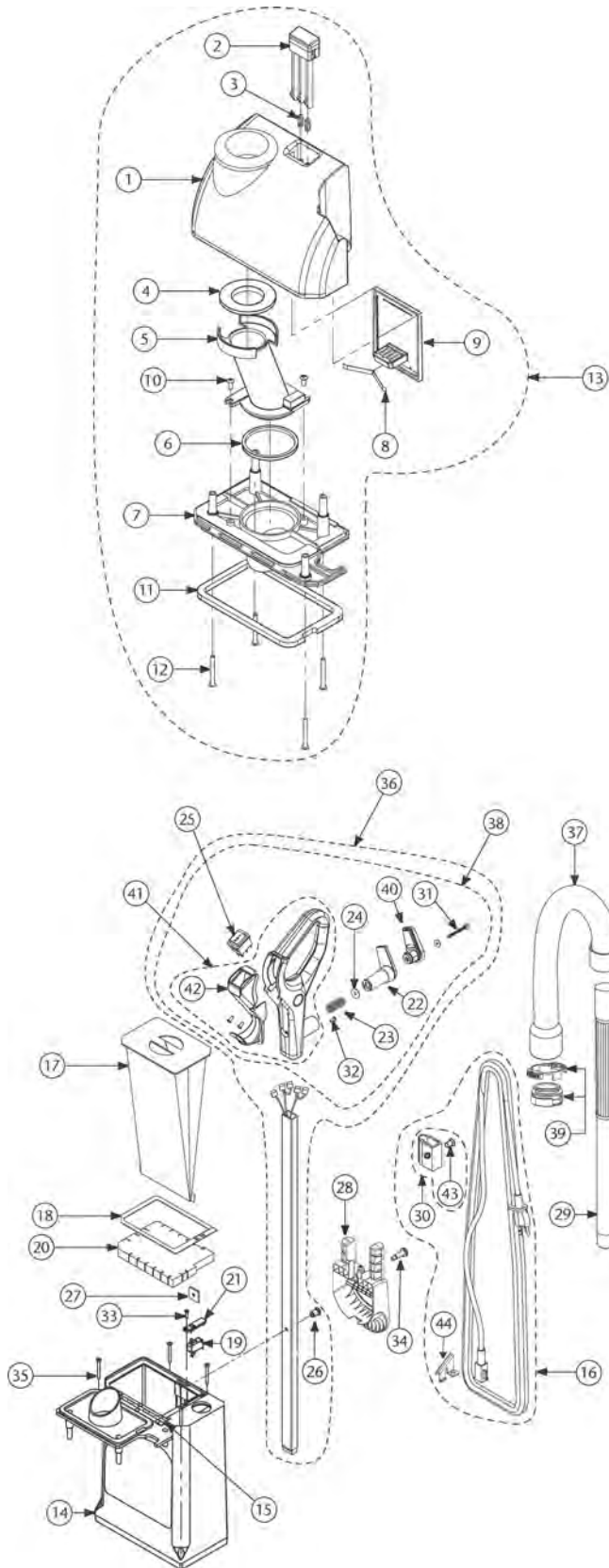


PROFORCE 1200XP / 1500XP PARTS



No.	Product Name	Qty	List Price
1	104267 Phillips Screw, 4mm x 12mm for Lower Air Duct	2/pk	\$ 9.98
2	104260 Upper Right Wand Guide	1 ea.	5.17
3	104261 Upper Left Wand Guide	1 ea.	5.17
4	104263 Wand Lockout Switch	1 ea.	15.21
5	107255 Bulkhead	1 ea.	22.70
6	104253 Lower Air Duct Seal	1 ea.	1.91
7	104250 Air Duct	1 ea.	16.01
8	107257 Motor Housing	1 ea.	53.42
9	104504 Pivot Bearing	2/pk	9.98
10	104306 Rear Wheel	2/pk	18.82
11	107005 Exhaust Filter made from HEPA Media	1 ea.	8.55
12	107258 Filter Cartridge Cover	1 ea.	7.75
13	103532 Front Panel Motor Housing Sound Foam	1 ea.	8.03
14	103533 Left Panel Motor Housing Sound Foam	1 ea.	4.71
15	103531 Rear Panel Motor Housing Sound Foam	1 ea.	11.29
16	104247 Lower Motor Mount	1 ea.	9.43
17	104249 Upper Motor Mount	1 ea.	16.01
18	104957 Motor Assembly w/Jumpers (includes: A, B)	1 kit	112.80
19	105488 Motor Housing Sound Filter (includes: 13,14,15)	1 kit	22.58
20	105490 Wand Kit (includes: 1, 2, 3, 4)	1 kit	18.92
21	105489 Air Duct Kit (includes: 1, 6, 7)	1 kit	16.96
22	107282 ProForce 1500XP Power Nozzle Cover with Detent Springs (includes: 42)	1 ea.	46.45
	107283 ProForce 1200XP Power Nozzle Cover with Detent Springs (includes: 42)	1 ea.	46.45
23	104279 Power Nozzle Lockout Safety Switch	1 ea.	20.30
24	104212 Circuit Breaker (reset button)	1 ea.	28.80
25	104496 Phillips Screw, 3.5mm x 13mm, for Brush Retainer	4/pk	7.85
26	104499 Brush Roll Retainer	2/pk	3.80
27	104216 14" Power Nozzle Brush Roll for ProForce 1500XP	1 ea.	44.83
	107163 12" Power Nozzle Brush Roll for ProForce 1200XP	1 ea.	44.83
28	104218 ProForce 1500XP Vinyl Power Nozzle Bumper	1 ea.	10.28
	107166 ProForce 1200XP Vinyl Power Nozzle Bumper	1 ea.	10.28
29	104500 Formed Wire Brace for Power Nozzle Base	2/pk	3.80
30	104221 ProForce 1500XP Power Nozzle Baseplate	1 ea.	71.59
	107167 ProForce 1200XP Power Nozzle Baseplate	1 ea.	67.62
31	104497 Phillips Screw, 4mm x 35mm for Base Cover	8/pk	8.91
32	834363 Wheel/Axle Replacement Kit	1 kit	10.62
33	104503 Rear Wheel Clamp	1 set	6.59
34	104495 Phillips Screw, 4mm x 19mm for Powerhead	5/pk	5.17
35	104227 Air Duct Hose Sleeve	1 ea.	3.80
36	104230 Power Nozzle to Air Duct Lower Hose	1 ea.	8.73
37	104217 Brush Roll Drive Belt	1 ea.	8.57
38	104506 Power Nozzle Motor with Crimps	1 ea.	111.25
39	104498 Power Nozzle Motor Vibration Grommet	2/pk	3.80
40	104224 Power Nozzle Air Duct Cover	1 ea.	7.10
41	104226 Vacuum Operation Indicator Board	1 ea.	13.68
42	104507 Detent Upright Lock Spring	2/pk	5.17
43	105371 Phillips Screw, 4.2mm x 19mm, for Power Nozzle Motor	2/pk	3.47
44	105281 Carbon Brush Set for ProForce Motor	1 set	30.98
	105754 Wire Harness Kit includes:	1 set	48.73
	A. Red Jumper Harness	B. White Jumper Harness	
	C. Full Bag Indicator Sensor	D. Main Power Supply Harness	
	E. Power Nozzle Wire Harness	F. Power Nozzle Switch Harness	

PROFORCE 1200XP / 1500XP PARTS



No.	Product Name	Qty	List Price
1	104234 Grey Bag Housing Cover	1 ea.	\$25.67
2	104232 Bag Cover Release Latch	1 ea.	6.85
3	104233 Release Latch Button Spring for Bag Cover	2/pk	3.47
4	104235 Upper Seal Transition Duct for Bag Cover	1 ea.	5.99
5	104236 Transition Duct Bag Cover	1 ea.	10.28
6	104238 Lower Seal Transition Duct Bag Cover Nozzle Plate	1 ea.	3.47
7	104239 Bag Cover Nozzle Plate	1 ea.	8.03
8	104242 Bag Cover Latch Spring	1 ea.	5.17
9	104243 Bag Cover Latch Plate	1 ea.	3.80
10	104505 Phillips Screw, 4mm x 9.5mm	2/pk	3.47
11	104241 Bag Cover Gasket	1 ea.	3.80
12	104493 Phillips Screw, 4.2mm x 35mm	4/pk	6.32
13	105486 Filter Cover Kit w/Riveted Hinge and 6 Rivets (includes: 1-12)	1 kit	67.69
14	107260 ProForce 1500XP Bag Housing Assembly with Riveted Hinge & Bag Cover Nozzle Plate	1 ea.	61.53
	107285 ProForce 1200XP Bag Housing Assembly with Riveted Hinge & Bag Cover Nozzle Plate	1 ea.	61.53
15	104491 Rivet for Bag Housing Assembly	6/pk	5.17
16	104284 50' Yellow Power Cord with Strain Relief (includes: 30, 44)	1 ea.	60.54
17	103483 Intercept Micro Filter	10/pk	20.48
18	104738 Bag Housing Gasket Seal	1 ea.	3.80
19	104283 Lock-Out Filter Switch	1 ea.	16.01
20	104281 Double Layer Motor Intake Filter	1 ea.	4.48
21	104282 Lock-Out Filter Switch Cover	1 ea.	3.80
22	104268 Cord Wrap Bracket	1 ea.	6.85
23	104269 Cord Wrap Compression Bracket Spring	1 ea.	3.80
24	104270 Cord Wrap Bracket Compression Spring Washer	1 ea.	1.75
25	105147 On/Off Rocker Switch	1 ea.	20.54
26	104264 Handle Tube Bushing	1 ea.	1.91
27	104259 Handle Nut Plate	1 ea.	1.91
28	107256 Carry Handle with Tool Caddy	1 ea.	8.57
29	104294 Wand	1 ea.	22.58
30	105091 Strain Relief Kit with Fastener Clip (includes: 43)	1 ea.	9.43
31	104271 Phillips Head Screw for Cord Wrap, M4 x 45mm	1 ea.	3.47
32	104509 Phillips Screw, 4mm x 16mm x .07 Pitch, for Handle Assembly	1 ea.	3.47
33	105075 Phillips Screw, 2.9mm x 13mm, for Switch Cover	1 ea.	6.14
34	104266 Handle Assembly Screw	1 ea.	2.13
35	104493 Phillips Screw, 4.2mm x 35mm	4/pk	6.32
36	106618 Tube Handle Assembly Complete (includes: 26, 38)	1 ea.	93.07
37	104961 Hose Assembly with Cuffs (includes: 39)	1 ea.	65.82
38	106617 Handle Kit (includes: 22-25, 31, 32, 40-42)	1 kit	61.53
39	105573 Quick Release Hose Cuff	1 ea.	25.49
40	107093 Impact Bumper	1 ea.	3.95
41	106619 Handle/Bezel Assembly (includes: 42)	1 ea.	37.52
42	106739 Handle Bezel	1 ea.	12.24
43	105320 Fastener	1 ea.	7.35
44	107203 Cord Retention Clip	1 ea.	4.38