



Fighter Aircraft 2.5D Puzzle  
Винищувач 2.5D пазл

Assembly instructions  
Інструкція зі складання

FRA Avion de chasse Puzzle 2,5D  
DEU Kampfflieger 2.5D Puzzle  
SPA Avión de combate 2.5D Puzzle  
ITA Aereo da combattimento Puzzle 2.5D  
JPN ファイターエアクラフト 2.5Dパズル  
CHI 战斗机2.5D拼图 POR Avião de Caça Puzzle 2.5D  
POL Myśliwiec Puzzle 2.5D KOR 전투기 2.5D 퍼즐



FRA Notice d'assemblage.  
DEU Aufbauanleitung.  
SPA Instrucciones de montaje.  
ITA Istruzioni di montaggio.  
JPN 組み立て説明書 CHI 装配说明书  
POR Instruções de montagem.  
POL Instrukcja montażu.  
KOR 조립 설명서.

**1** Wax the part with a regular candle (rub with a candle). UKR Змастіть деталь звичайною свічкою (потріть об свічку). FRA Lubrifiez la pièce avec une bougie ordinaire (frottez contre la bougie). DEU Reiben Sie das Teil mit einer einfachen Kerze etwas ein. SPA Engrase la pieza con una vela común (frote con una vela). ITA Incerare il componente (sfregare con la cera). JPN された部分に潤滑剤としてロウソクを塗ってください。 CHI 用普通蜡烛涂抹润滑部件 POR Encere a peça com uma vela comum (esfregar numa vela). POL Przesmaruj zwykłą świecą. KOR 표시된 부분에 윤활을 위해 조를 칠해 주세요.

**a1** Pay attention. Check position of the part. UKR Зверніть увагу. Переверте розташування елемента. FRA Faites attention. Vérifiez l'adposition de l'élément. DEU Bitte Beachten. Prüfen Sie die Einbaulage des Elementes. SPA Atención. Compruebe la situación del elemento. ITA Prestare attenzione. Controllare la posizione del componente. JPN 方向及び位置に注意して組み立ててください。 CHI 注意! 检查部件方向和位置 POR Tome cuidado. Verifique as posições das peças. POL Zwróć uwagę. Sprawdź lokalizację elementu. KOR 방향 또는 위치에 주의해서 조립해 주세요.

**2** [Diagram showing the assembly of the fuselage frame with parts 1, 2, 3, 4, 5, 6, 7, 8, 9, 10, 11, 12, 13, 14, 15, 16, 17, 18, 19, 20, 21, 22, 23, 24, 25, 26, 27, 28, 29, 30, 31, 32, 33, 34.]

**3** [Diagram showing the assembly of the fuselage frame with parts 1, 2, 3, 4, 5, 6, 7, 8, 9, 10, 11, 12, 13, 14, 15, 16, 17, 18, 19, 20, 21, 22, 23, 24, 25, 26, 27, 28, 29, 30, 31, 32, 33, 34.]

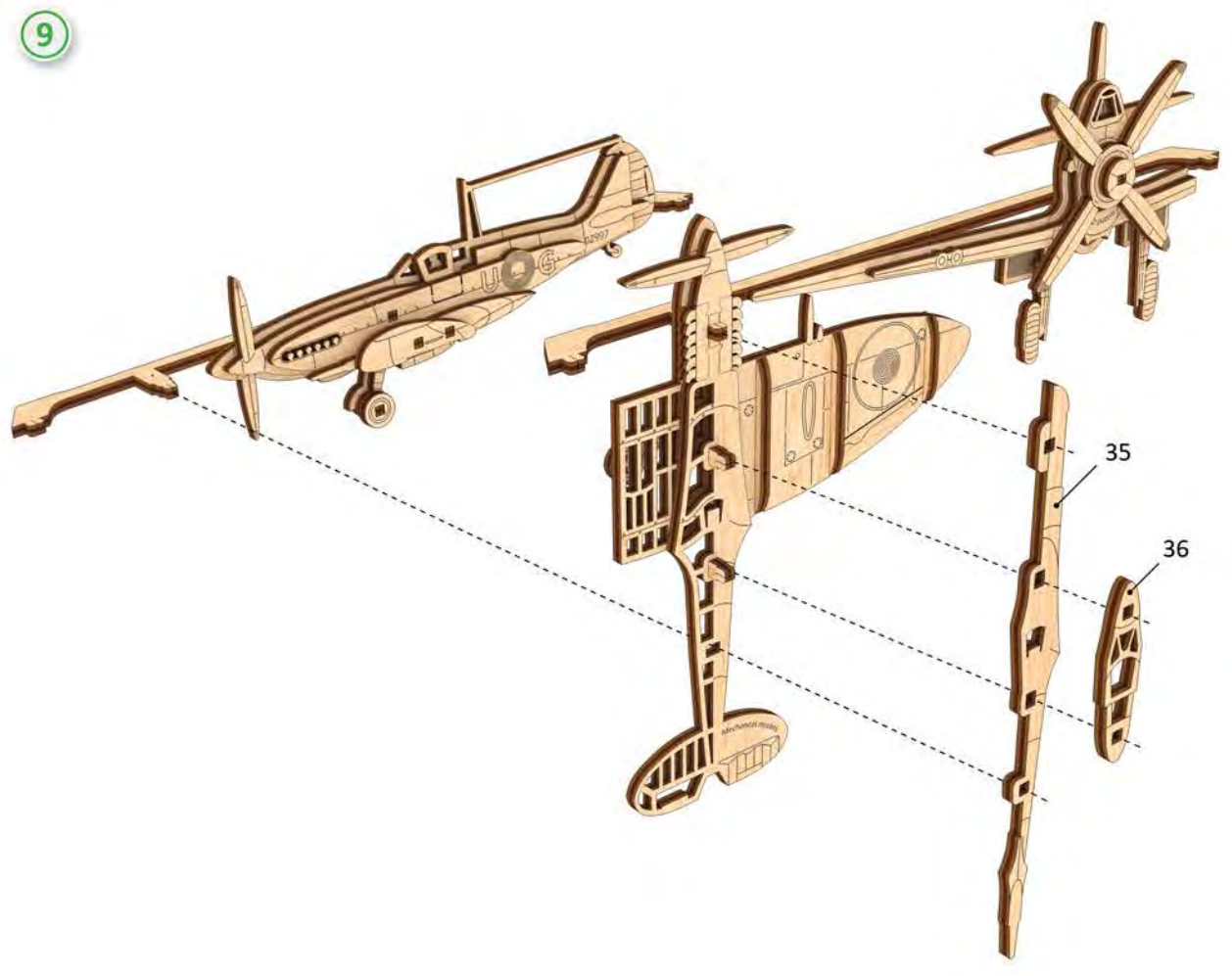
**4** [Diagram showing the assembly of the fuselage frame with parts 1, 2, 3, 4, 5, 6, 7, 8, 9, 10, 11, 12, 13, 14, 15, 16, 17, 18, 19, 20, 21, 22, 23, 24, 25, 26, 27, 28, 29, 30, 31, 32, 33, 34.]

**5** [Diagram showing the assembly of the fuselage frame with parts 1, 2, 3, 4, 5, 6, 7, 8, 9, 10, 11, 12, 13, 14, 15, 16, 17, 18, 19, 20, 21, 22, 23, 24, 25, 26, 27, 28, 29, 30, 31, 32, 33, 34.]

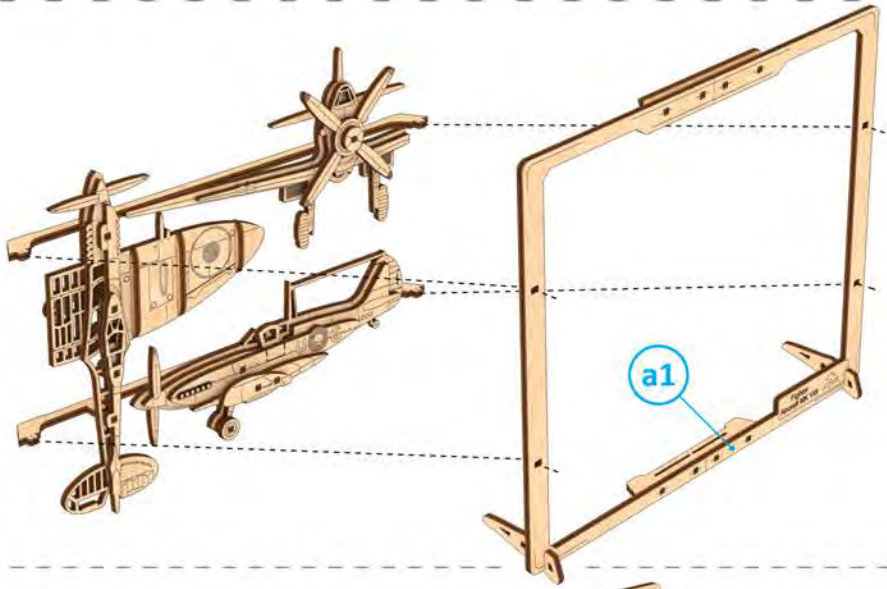
**6** [Diagram showing the assembly of the fuselage frame with parts 1, 2, 3, 4, 5, 6, 7, 8, 9, 10, 11, 12, 13, 14, 15, 16, 17, 18, 19, 20, 21, 22, 23, 24, 25, 26, 27, 28, 29, 30, 31, 32, 33, 34.]

**7** [Diagram showing the assembly of the fuselage frame with parts 1, 2, 3, 4, 5, 6, 7, 8, 9, 10, 11, 12, 13, 14, 15, 16, 17, 18, 19, 20, 21, 22, 23, 24, 25, 26, 27, 28, 29, 30, 31, 32, 33, 34.]

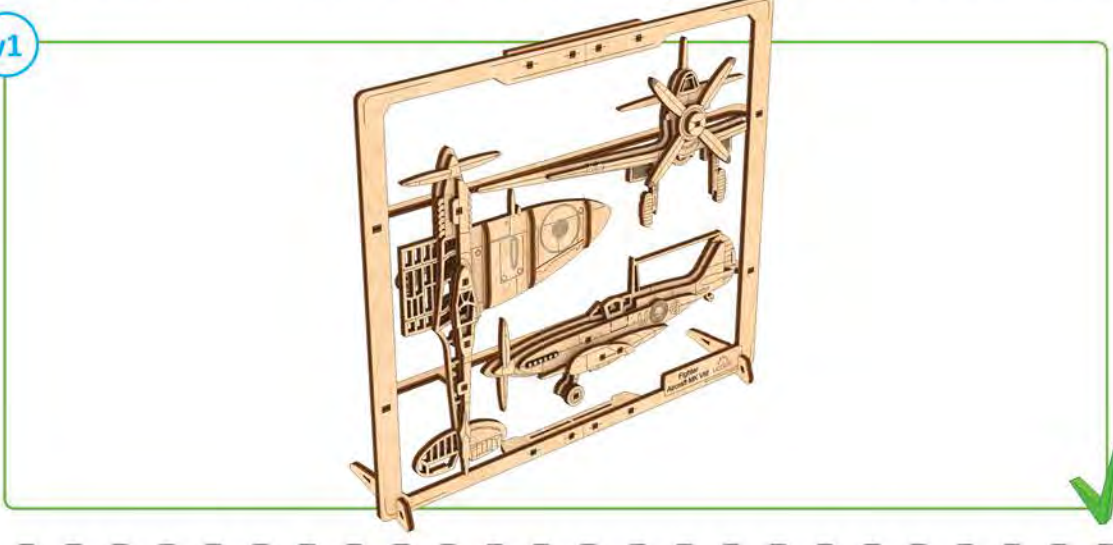
9



10



v1



v2

