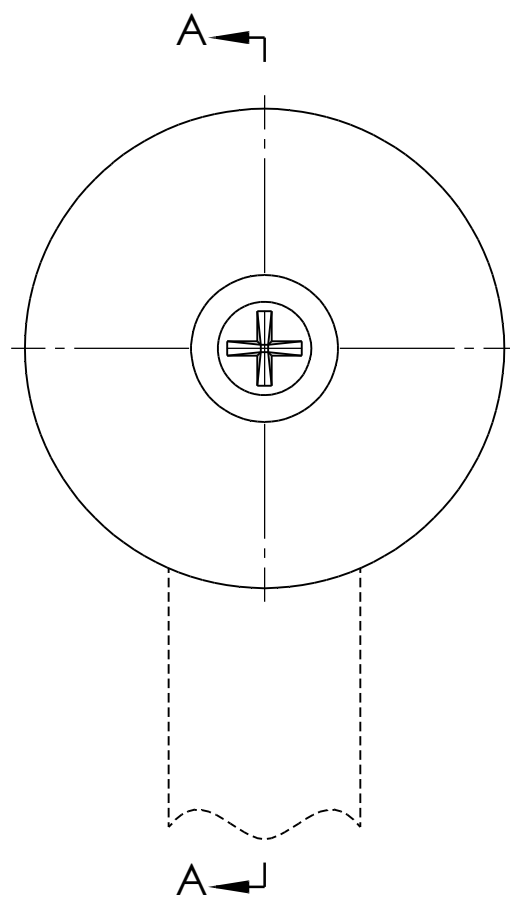
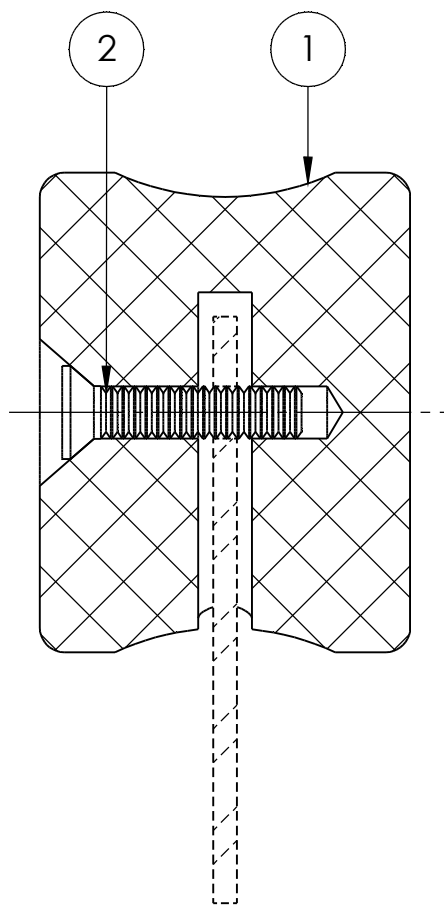


BILL OF MATERIALS				
ITEM NO.	PART NUMBER	DRAWING NUMBER	DESCRIPTION	M-1035-1 QTY.
1	MBA10146-1	MBA-10146	KNOB, FUEL MIXTURE	2
2	MS51959-31	-	FLAT HEAD MACHINE SCREW #6-32 5/8	2

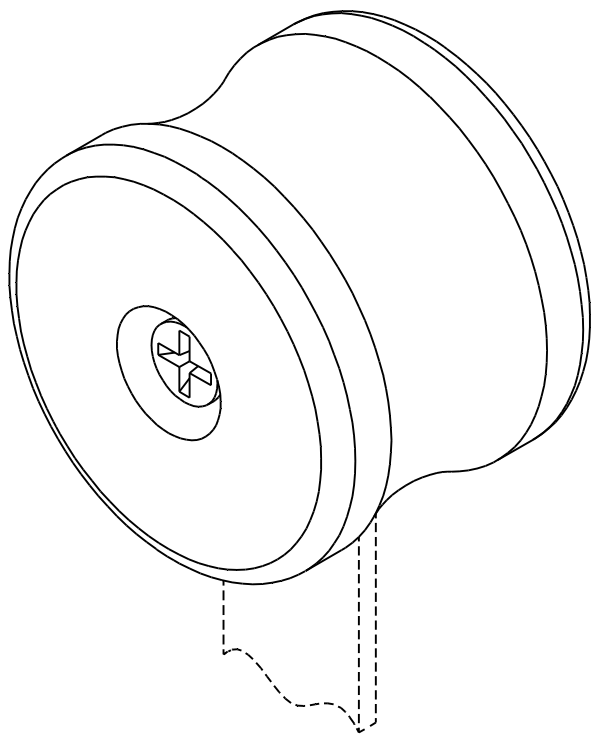
REV.	DESCRIPTION	DATE	DWN	ENG CKD	MFG CKD	QC CKD	APPV



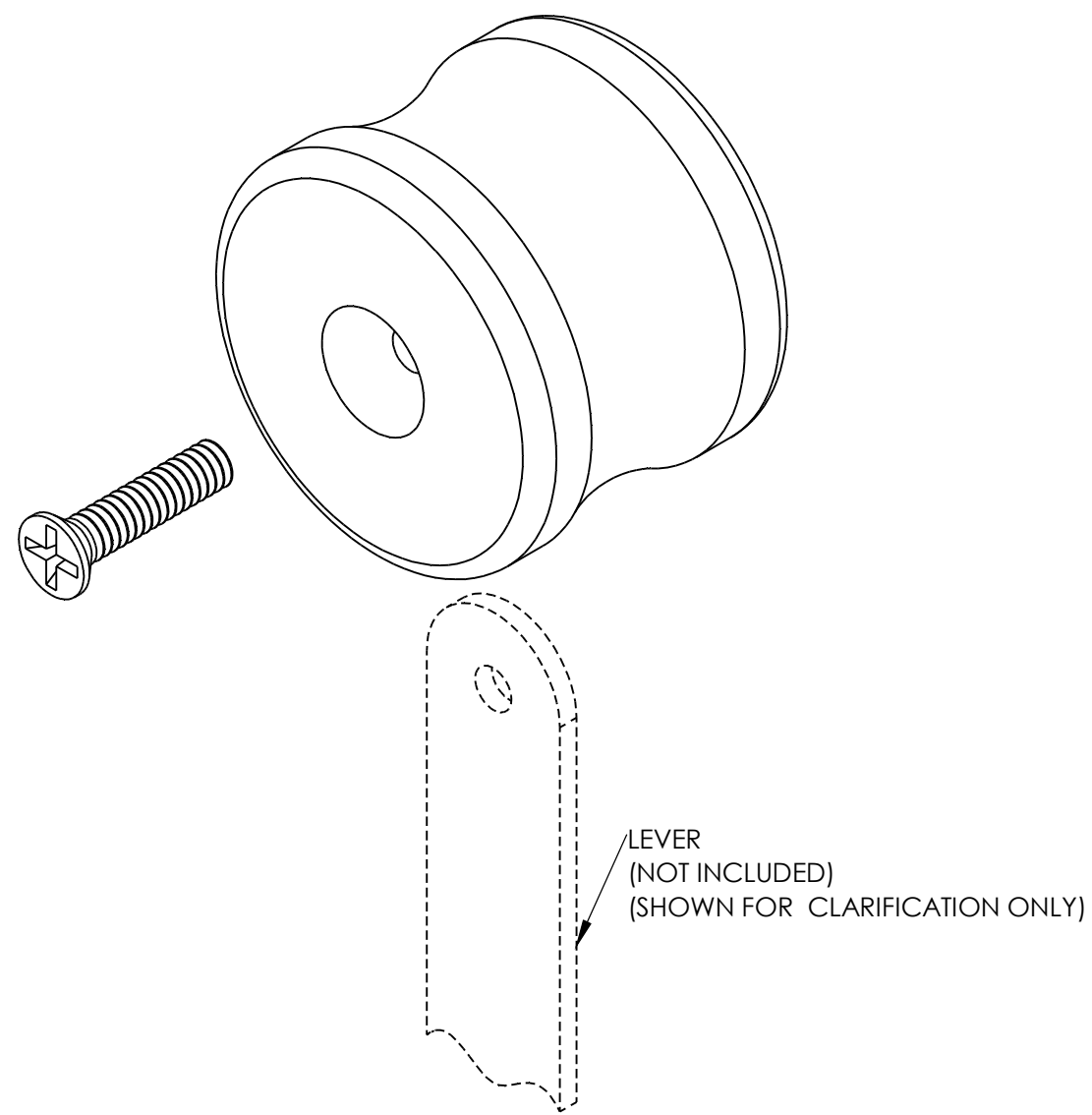
FRONT VIEW



SECTION A-A



ISOMETRIC VIEW



ISOMETRIC (EXPLODED) VIEW

- NOTES:
- PARTS ARE NOT SHIPPED ASSEMBLED.
 - ALL DIMENSIONS ARE IN INCHES.
 - DO NOT SCALE THIS DRAWING. WORK TO DIMENSIONS SPECIFIED.
 - TOLERANCES FOR ALL DIMENSIONS SHALL BE NONCUMULATIVE.
 - INTERPRET DRAWING IN ACCORDANCE WITH ASME Y14.5M.

DO NOT SCALE THIS DRAWING. WORK TO DIMENSIONS SPECIFIED
 UNLESS SHOWN OTHERWISE, MACHINE TOLERANCES ARE:
 LINEAR UP TO 20"(0.5m) ±0.020" (±0.5mm)
 OVER 20"(0.5m) ±0.040" (±1.0mm)
 ANGULAR: ±0.25°
 SURFACE FINISH: 125 *min*ch Ra (3.2 mm)
 MATERIAL SURFACE FINISH TO BE DETERMINED ONLY BY USE OF COMPARATOR

INITIAL APPROVAL & RELEASE		
NAME	SIGN	DATE
DRAWN J.PATINO	J.P.	03-JUL-2018
ENG. CHECKED A.PIRRIE	A.P.	19-NOV-2018
MFG. CHECKED -	-	-
QUALITY CHECKED -	-	-
APPROVED -	-	-

MARSH BROTHERS AVIATION
 BURLINGTON, ONTARIO, CANADA

THIS DRAWING IS THE PROPERTY OF MARSH BROTHERS AVIATION. ALL USE IS STRICTLY PROHIBITED WITHOUT PRIOR WRITTEN CONSENT.
 CET DESSIN EST DE PROPRIETE DE MARSH BROTHERS AVIATION. TOUTE USAGE C EST STRICTEMENT INTERDIT SAUF PERMISSION ECRIT PRECEDENT.

PLATFORM: AEROSTAR	INITIAL RELEASE DATE: -	MRP NO. -	SIZE B	
TITLE/TITRE KIT, KNOB - CONTROL			DRAWING NO. DU DESSIN M-1035	REV. 1
SHEET FEUILLE 1			OF DE 1	1