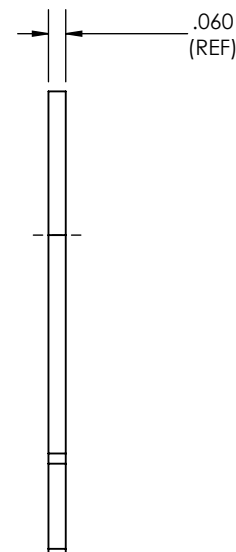
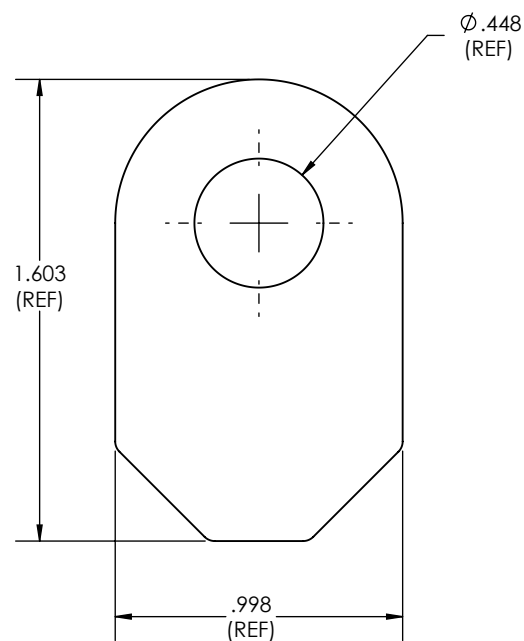
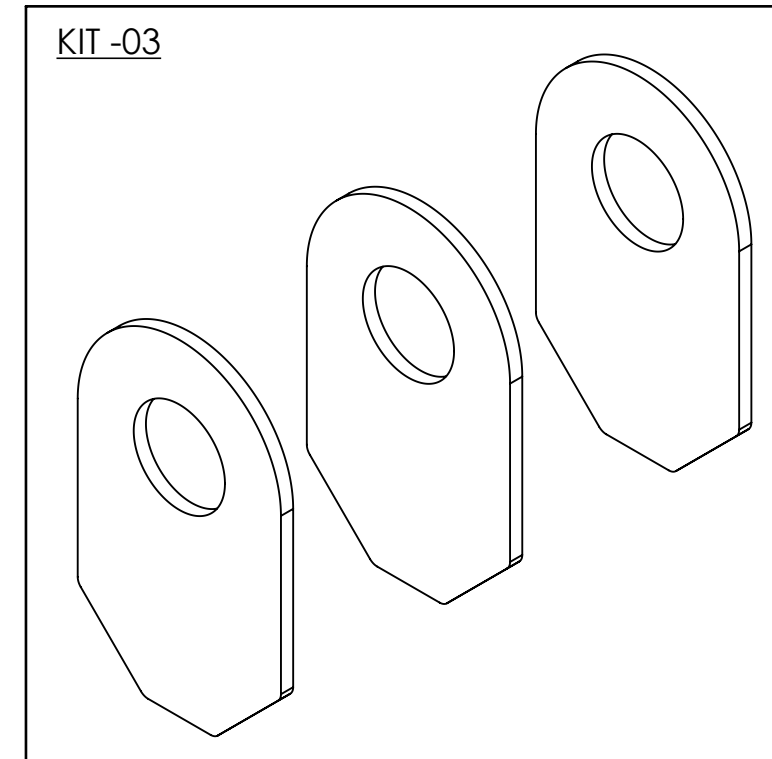
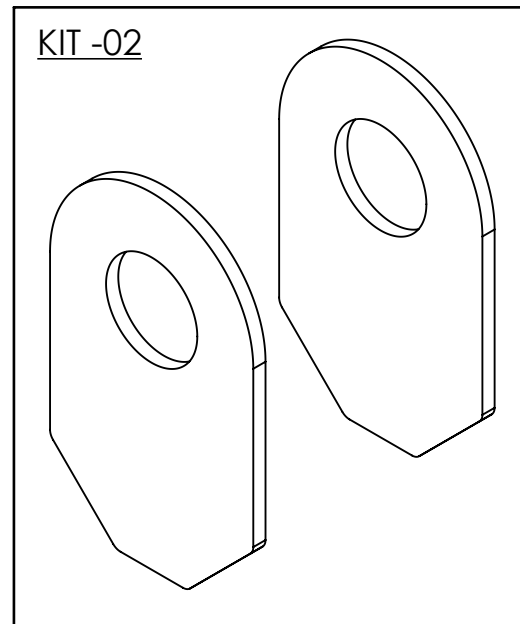
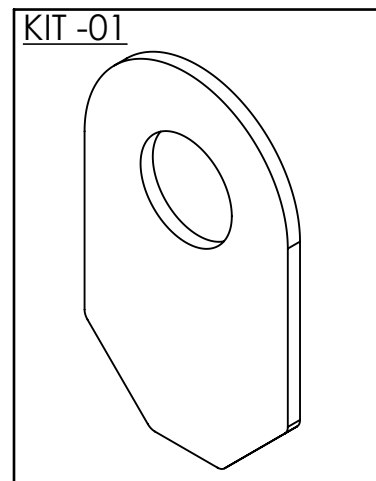


BILL OF MATERIALS

ITEM NO.	MRP#	DRAWING NUMBER	DESCRIPTION	-01/QTY.	-02/QTY.	-03/QTY.
1	-	MBA-04-10007	WASHER	1	2	3

REV.	DESCRIPTION	DATE	DWN	ENG CKD	MFG CKD	QC CKD	APPV
------	-------------	------	-----	---------	---------	--------	------



DO NOT SCALE THIS DRAWING. WORK TO DIMENSIONS SPECIFIED
 UNLESS SHOWN OTHERWISE, MACHINE TOLERANCES ARE:
 LINEAR UP TO 20"(0.5m) ±0.020"(±0.5mm)
 OVER 20"(0.5m) ±0.040"(±1.0mm)
 ANGULAR: ±0.25°
 SURFACE FINISH: 125 μinch Ra (3.2 μm)
 MATERIAL SURFACE FINISH TO BE DETERMINED ONLY BY USE OF COMPARATOR

INITIAL APPROVAL & RELEASE		
NAME	SIGN	DATE
DRAWN J. PATINO	J.P.	16-JUL-2020
ENG. CHECKED E. MUENZ	N.C.	9/10/2020
MFG. CHECKED E. MUENZ	E.M.	10 Sep 2020
QUALITY CHECKED N/R	-	-
APPROVED E. MUENZ	E.M.	16-JUL-2020

MARSH BROTHERS AVIATION
 BURLINGTON, ONTARIO, CANADA

THIS DRAWING IS THE PROPERTY OF MARSH BROTHERS AVIATION. ALL USE IS STRICTLY PROHIBITED WITHOUT PRIOR WRITTEN CONSENT.
 CET DESSIN EST DE PROPRIETE DE MARSH BROTHERS AVIATION. TOUTE USAGE C'EST STRICTEMENT INTERDIT SAUF PERMISSION ECRIT PRECEDENT.

PLATFORM: KING AIR	INITIAL RELEASE DATE: 16-JUL-2020	MRP NO. -	SIZE B	⊕	⇨
TITLE/TITRE WASHER - FUEL CAP KIT			DRAWING NO. DU DESSIN M-04-1001	REV. NC	
SHEET FEUILLE 1			OF DE 1		