



TX

OWNER'S MANUAL

TX SERIES:

1.25" Voice coil
Ferrite magnet
TPE edge and glass fiber cone
25mm tweeter
With grille

● **TX46**

4*6 INCH 2-WAY CAR COAXIAL SPEAKER

● **TX68**

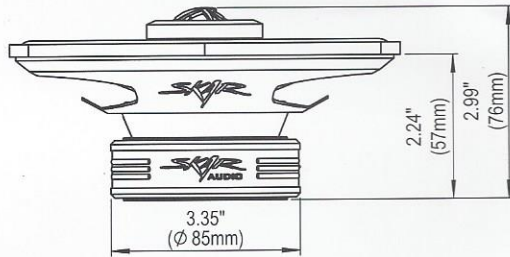
6*8 INCH 2-WAY CAR COAXIAL SPEAKER

● **TX525C**

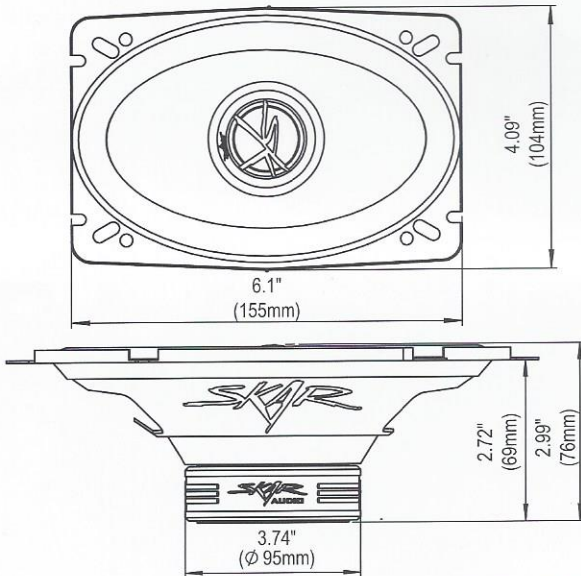
5.25 INCH CAR COMPONENT SPEAKER



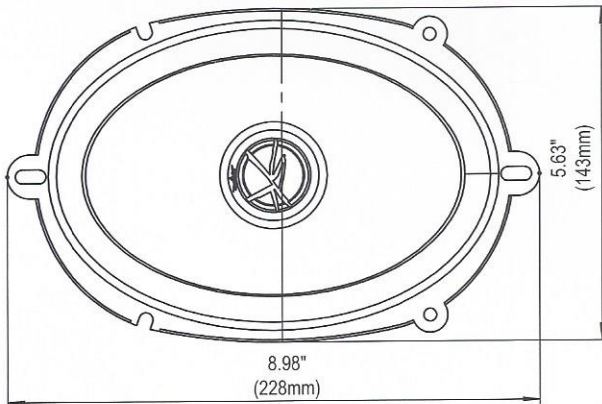
Dimensions



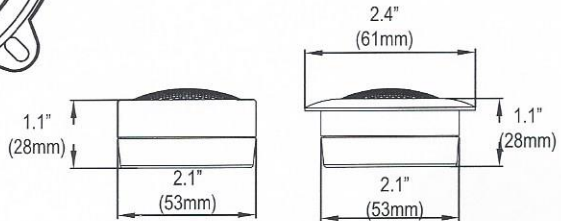
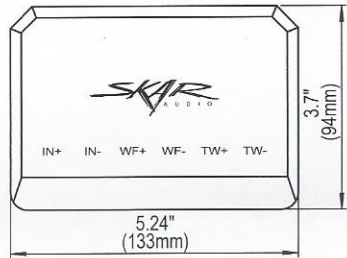
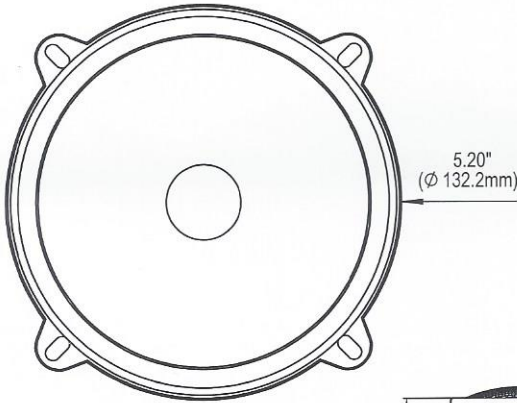
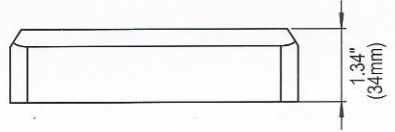
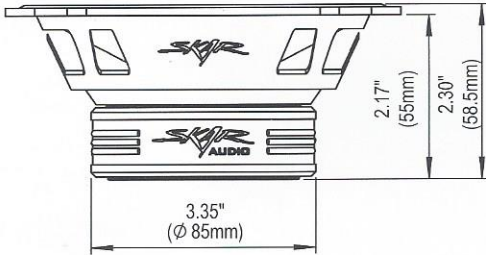
TX46



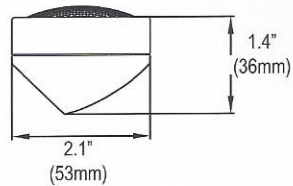
TX68



Dimensions



TX525C





Specifications

Model	TX46	TX68	TX525C
Power handling(RMS)	70(35)	100(50)	80(40)
Sensitivity	86dB	89dB	88dB
Frequency Range	80-20KHz	60-20KHz	80-10KHz
Mounting Depth	2.24"	2.72"	2.17"
Cutout Diameter	3.4*5.5"	5.1*7.4"	4.48"
Basket	steel	steel	steel
Magnet Type	ferrite	ferrite	ferrite
Coil Diameter	1.25"	1.25"	1.25"
Coil Material	copper	copper	copper
Former Material	kapton	kapton	kapton
Cone material	glass fiber	glass fiber	glass fiber
Surround Material	TPE	TPE	TPE
Tweeter Material	Silk Dome	Silk Dome	Silk Dome
Tweeter Size	1"	1"	1"
X-Max	1.6mm	2.85mm	2.1mm
Suspension	PC Blends	PC Blends	PC Blends