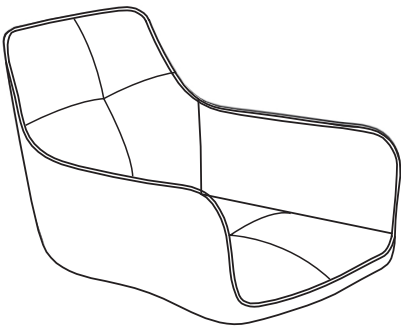


1

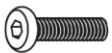
2

3



1	1x
2	1x
3	1x

A



M6X40mm

4x

B



M6x13mm

4x

C



Ø18*Ø6*1.5mm

4x

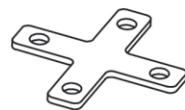
D



4mm

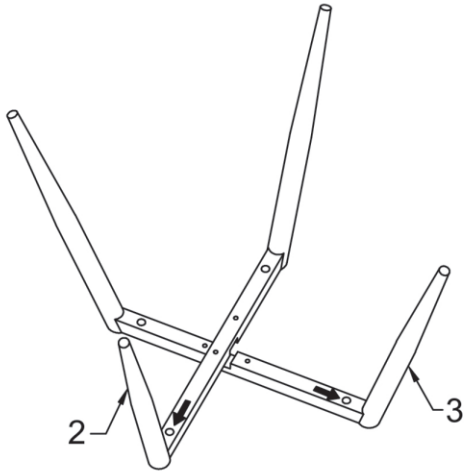
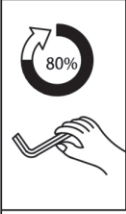
1x

E

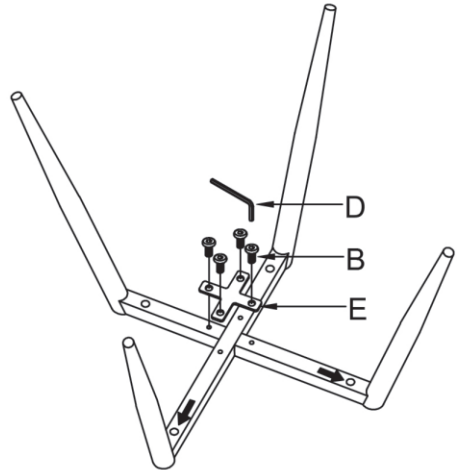


1x

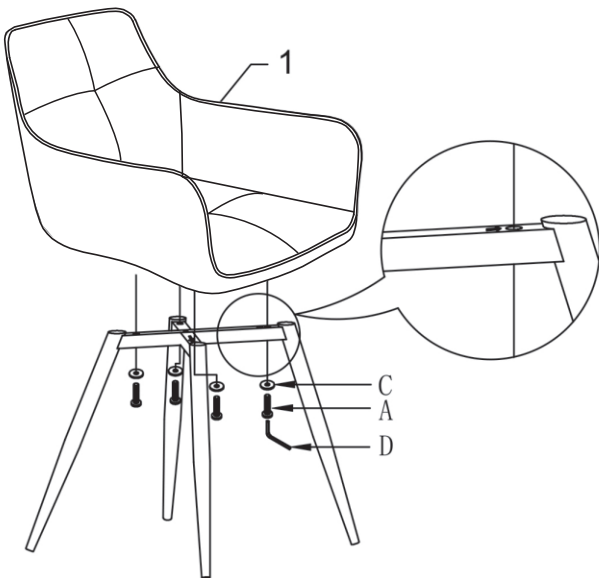
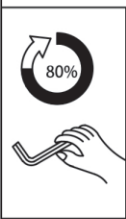
1



2



3



4

