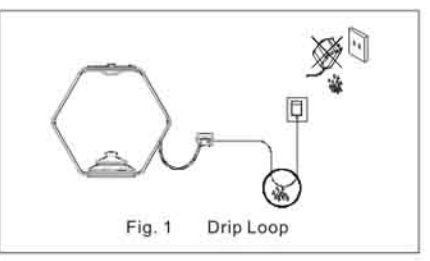




Instruction Booklet
AA's designer aquariums are all-in-one desktop aquarium ideal for decoration. With new High Power LED lighting, it creates shimmering ripples in your aquarium – just like sunlight.

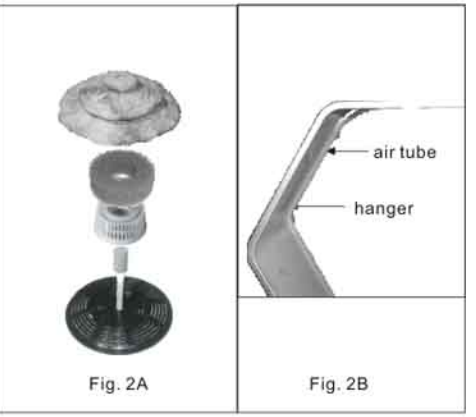
"ADDS LIFE TO YOUR ENVIRONMENT"
We wish to thank you for supporting AA with your purchase. Before operating this aquarium, please read the following safety precautions and operation instructions carefully.

- SAFETY PRECAUTIONS:**
- Indoor use only.
 - Keep the aquarium away from main socket outlet and all electrical appliances. Keep the enough distance that under the abnormal situation, e.g. aquarium break, water can't affect the main power supply and other electrical appliances.
 - Use only together with the adaptor which supplied within the aquarium package.
 - Max. water temperature: 35°C.
 - Always unplug the adaptor and disconnect the 12Volt jacks before carrying out maintenance.
 - Only use this aquarium and its components for its intended use as described in this manual.
 - Do not touch the power supply when hands are wet.
 - Do not operate this aquarium if it has a damaged cord or plug. It must be replaced by the manufacturer or its service agent or a similarly qualified person in order to avoid a hazard.
 - Keep this manual for future reference.
 - **All cables leading out of the aquarium and the main cables should have a drip loop, so that water which may possibly run down cannot get into the adaptor or the main socket (Ref. "Drip Loop").**



OPERATION INSTRUCTIONS:

1. Carefully check the tank for any damages. Should there be any damages, please kindly return to your retailer immediately with your receipt.
2. Check for components:
 - 1 pc aquarium tank,
 - 1 pc deco rock with filter cartridge
 - 1 pc of air pump, adaptor
 - 1 pc aquarium cleaner(for AA15L & AA20L only), plastic plant and a bag of gravels
3. POSITIONING your tank, please use the following guidelines when positioning your tank:
 - Choose a strong support surface for the tank; remember, when the tank is full of water, it can be heavy!
 - Try to avoid a location with direct sunlight as this can encourage algae growth & cause "green water" problems.
4. DECORATE your tank with plants, gravels & deco rock. Remember: rinse all decorative items before putting them in the tank.
5. Assemble the decoration rock, filter cartridge and the air tube. (Ref. Fig. 2A).
6. The air tube can position along the edge. There're hangers built-in inside the aquarium (Ref. Fig. 2B)



7. FILL the tank with water slowly to about 1 inch below the top. (Ref. Fig. 3).



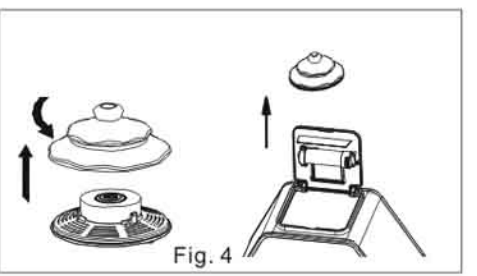
8. There's a 12V plug from the air pump, connect it to the 12V socket.
9. Position the air pump, make sure the non-return valve is connected.
10. Connect the 12V plug from the tank to the adaptor, then plug in the adaptor to your household power supply.
11. Should you wish to light up, touch the top cover (Tips: Fishes require sufficient rest also; we suggest the lamp to be on for 14 to 18 hours per day).



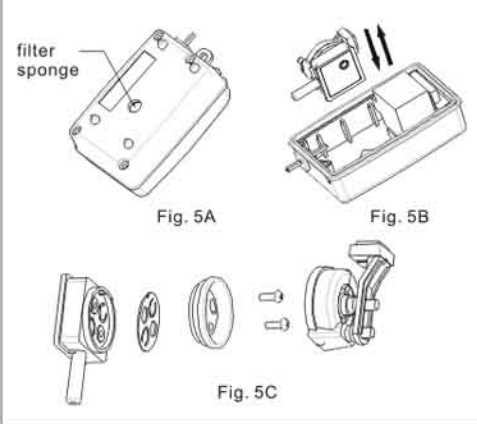
12. There's a built-in moonlight (nightlight for home as well) feature, touch the cover again to light up the moonlight. The moonlight LED will have little effect during the day - for best results use at night.
13. Before adding your fish, please add "Chlorine Neutral" (not included) into aquarium (check dosage on the packaging of Chlorine Neutral). Let the filtration run for about 2 hrs before adding fish. If you do not have Chlorine Neutral, we recommend for the filtration to run for 12 hrs before adding fish.

MAINTENANCE:

1. To keep your aquarium clean, maintenance should be carried out once every 3 to 5 weeks, depending on water conditions.
2. Do not use detergents to clean the tank, its components or filtration media.
3. Always unplug the adaptor and disconnect the 12V plug before carrying out maintenance.
4. Take out the deco rock and the filter cartridge assembly (Ref. Fig. 4).

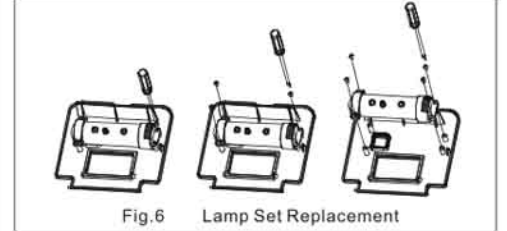


5. Replace the filter cartridge (refer to "Replacement parts & accessories" at the end of this manual), rinse the filter cartridge with water taken from the aquarium.
6. Rinse the deco rock under running water.
7. To avoid damages/scratches to the tank, only use the aquarium cleaner provided, or use SOFT WOOL/CLOTH material for cleaning.
8. In the event of changing water, only change 25% of the water and re-fill the tank with tap water. Remember to add Chlorine Neutral!
9. AA recommends cleaning the pumper assembly of the air pump once every 6 months to ensure smooth and reliable performance.
 - disconnect the 12V plug
 - take out the sponge from the built-in air hole and remove any dirt or other foreign articles. (Refer to Fig. 5A)
 - Unscrew and open the air pump, and take out the pumper assembly (Refer to Fig. 5B)
 - Disassemble the pumper assembly and clean the component by a dry cloth. Re-assemble it after cleaned. (Refer to Fig. 5C)
 - The pumper assembly is also available as a replacement, please contact your retailer for details.



LAMP REPLACEMENT: (Ref. Fig 6)
AA's designer aquariums use High Power LED with long life span. Its impressive long life does not require yearly replacement compare to fluorescent lamp. If replacement is needed, contact your retailer to purchase a replacement lamp set. (Refer to "Specification table" at the end of this manual)

1. Always unplug the adaptor and disconnect the 12V plug before replacing the lamp.
2. Remove the light hood and insert a new one.
3. DO NOT PLUG IN ADAPTOR OR CONNECT 12 VOLT PLUG UNLESS THE LAMP SET IS ASSEMBLED ONTO THE AQUARIUM.



TROUBLE SHOOTING GUIDELINES:

SYMPTOM	SOLUTION
Air pump doesn't work	<ol style="list-style-type: none"> (1) Make sure the air pump is plugged to the 12V socket (Refer to assembly drawing) (2) Check if non-return valve is connected and make sure no water flow back to the air pump (3) Refer to "Maintenance" Point 9, cleaning of the pumper. (There could be foreign objects in the air pump).
If the light doesn't work	<ol style="list-style-type: none"> (1) Make sure the adaptor is completely plugged into electrical socket and the 12V plugs are connected. (2) If the lamp doesn't light up, replace the lamp set according to "Lamp Replacement" section. (3) If it still doesn't light up, please contact your retailer or write to us info@aa-aquarium.com
If excess algae grows	<ol style="list-style-type: none"> (1) Make sure aquarium is not under direct sunlight all the time. Consider repositioning your tank. (2) "Algae Cure" can be purchased from aquarium shops to help control algae growth. (3) If the light is turn on for 24 hours per day, please try to keep it on for 14 hours max. Your fish will need time to rest and algae can grow easily under lighting.

Replacement parts & Accessories:
Below are replacement parts available at the retailer where you have purchased this aquarium.

>Filter cartridge:
Contains sponge & activated carbon, replace approx. every 4-6 weeks, depending on water conditions.



>Air Pump, pumper assembly are available as spare parts.



Specification Table:

Model	Capacity	Filter Cartridge	Lamp Set	Air Pump	Pumper Assembly
AA10L-OGD	10L	R-AA26-SC	R-AA1W1-HPDECO	AA336	16030336
AA15L-HPD	15L	R-AA26-SC	R-AA1W2-HPDECO	AA336	16030336
AA20L-OGD	20L	R-AA26-SC	R-AA1W2-HPDECO	AA336	16030336

Discarding electrical and electronic equipment at the end of life. In everybody's interest and to participate actively in protecting the environment:
 - Do not discard these items with your household waste.
 - Use the available trade-in and collection systems.
 Some materials can in this way be recycled or recovered.

If you are interested in our products, please kindly visit our homepage at www.aa-aquarium.com

Comments and Inquiries: Please write to us at info@aa-aquarium.com.