

A Series

LED Explosion Proof Light



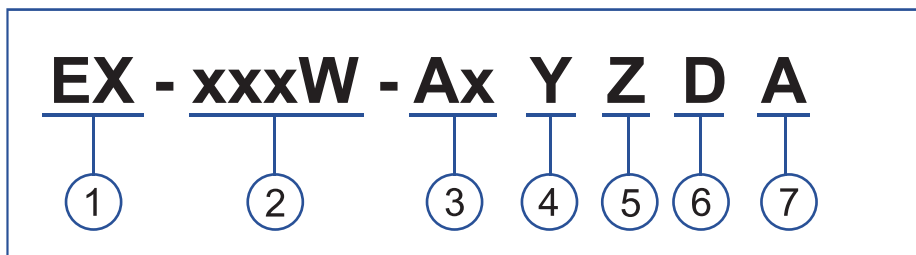
Standard Materials:

- ◆ Housing: Copper-free aluminum
- ◆ Lens: Tempered glass
- ◆ Hardware: Stainless steel
- ◆ Mounting Bracket: Stainless steel
- ◆ IP66

Key Features:

- 1 Dimmable and battery backup function is available.
- 2 High-quality SMT LED and Meanwell driver.
- 3 Heavy-duty and high impact resistance.
- 4 Replaceable LED board and drivers.
- 5 Integrated junction box for driver.
- 6 Marine rating powder coated finish treatment.
- 7 Various installation ways for different applications.
- 8 Glass lens or polycarbonate lens for making different beam angles.
- 9 5-year warranty.
- 10 Low temperature applications to -40°C (-40°F) and high temperature up to 50°C (122°F).

Catalog Number Logic:



① PRODUCT CATEGORY

- ◆ Explosion proof light

② WATTAGE

- ◆ 20W-400W

③ PRODUCT SERIES

- ◆ A
- ◆ A2
- ◆ A3
- ◆ A4

⑦ GLASS TYPE

- ◆ A=blank: Flat glass
- ◆ A=C: Spherical glass

④ DIMMING OPTION

- ◆ D= dimmable
- ◆ N= Non-dimmable

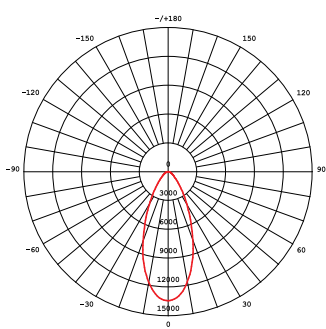
⑤ CCT

- ◆ From 2200K to 7000K
- ◆ 22=2200K, 30=3000K, ..., 70=7000K

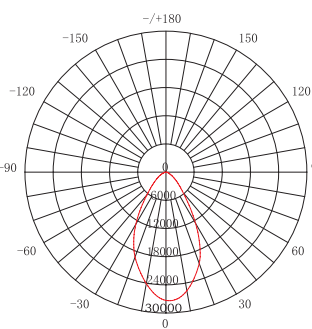
⑥ BEAM ANGLE

- ◆ D40= 40°
- ◆ D90= 90°
- ◆ D60= 60°
- ◆ D120= 120°

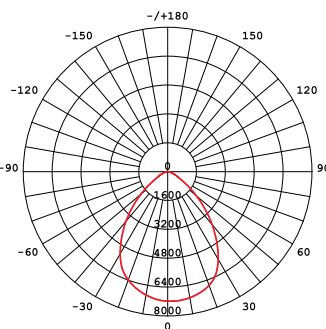
Photometry:



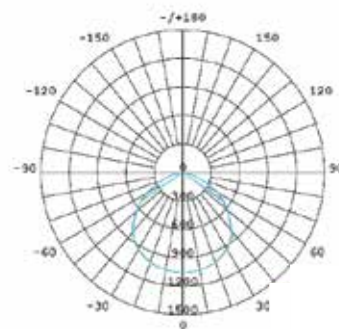
Beam angle: 40°



Beam angle: 60°



Beam angle: 90°



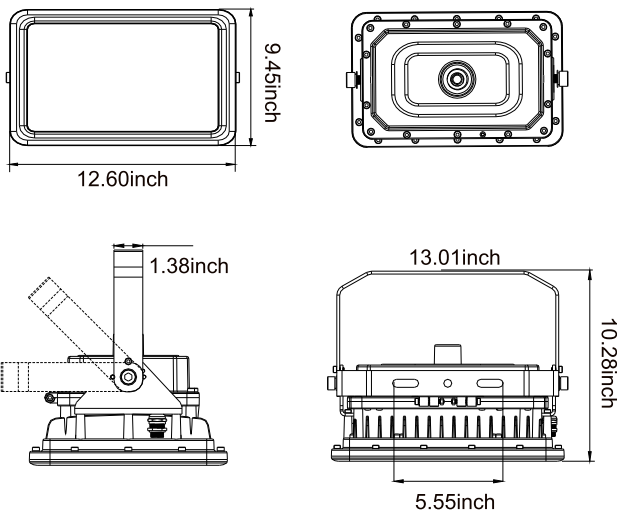
Beam angle: 120°

Technical Data:

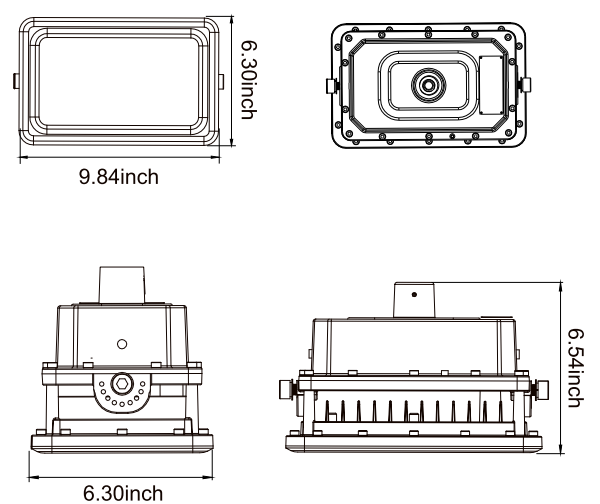
Model	Wattage	Operating Voltage	Lumens (lm)	Efficacy (lm/W)	CRI	CCT	Emergency Time
EX-20W A2YZDA	20W	AC100-277V/DC12-48V	2,800	140	>70	2200K-7000K	3 hours
EX-40W A2YZDA	40W		5,600				
EX-60W A2YZDA	60W		8,400				
EX-80W AYZDA	80W	AC100-277V/DC12-48V, AC200-480V	11,200				
EX-100W AYZDA	100W		14,000				
EX-150W A3YZDA	150W		21,000				
EX-180W A3YZDA	180W		25,200				
EX-200W A3YZDA	200W		28,000				
EX-150W A4YZDA	150W		21,000				
EX-180W A4YZDA	180W		25,200				
EX-200W A4YZDA	200W		28,000				
EX-250W A4YZDA	250W		35,000				
EX-300W A4YZDA	300W	42,000					
EX-400W A4YZDA	400W	56,000					

Dimensions:

A Series

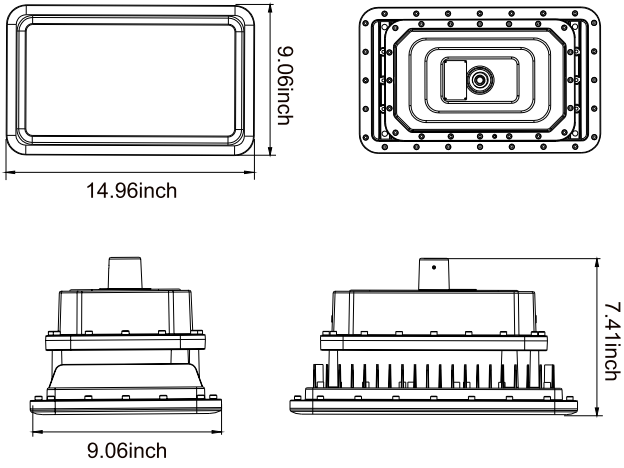


A2 Series

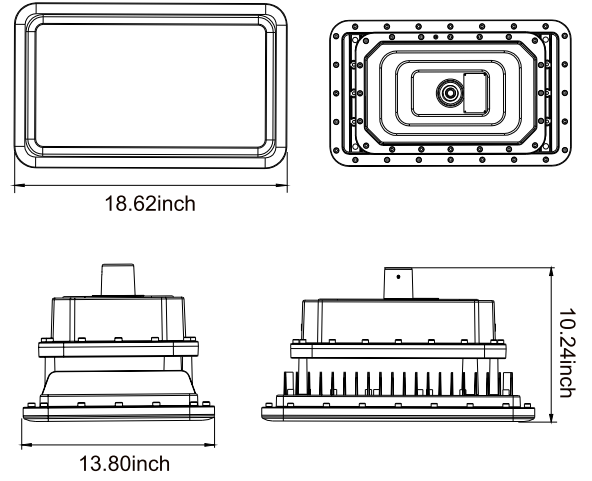


Dimensions:

A3 Series

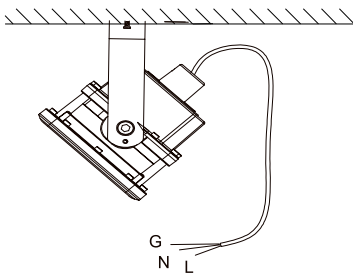


A4 Series

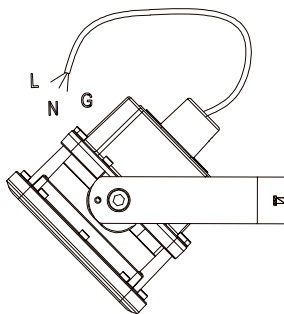


Mounting Methods:

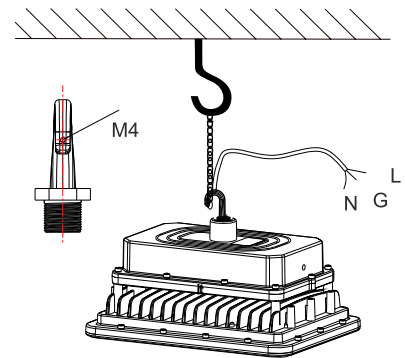
◆ Ceiling Mounting:



◆ Wall Mounting:

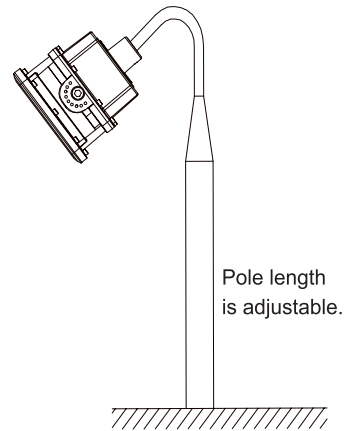
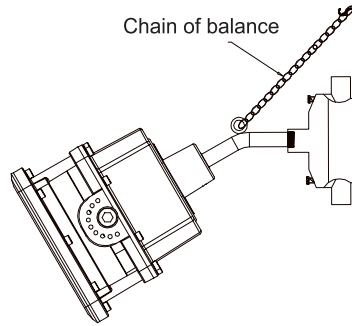
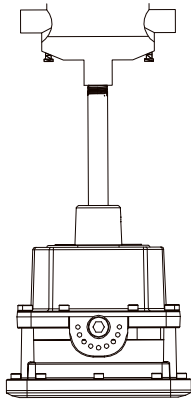


◆ Hook Mounting:

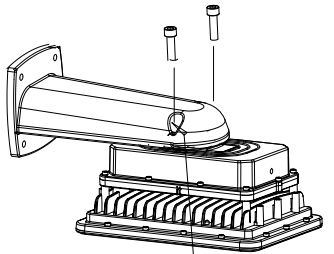


LED Explosion Proof Light - A Series

Pole Mounting:



Arm Mounting:

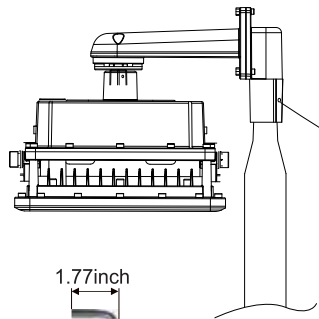


1.77inch

Make sure the screw is fixed well for safety.

6# Allen key

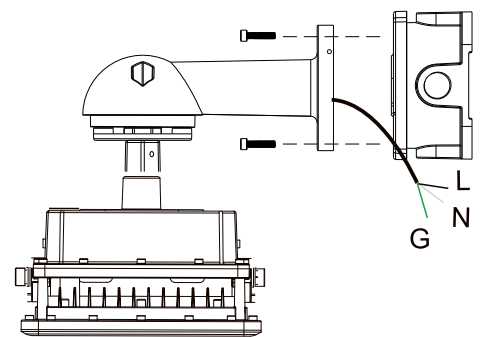
Stanchion Mounting:



1.77inch

8# Allen key

Wall Mounting with Junction Box:



Accessories:



- **Model: Ex-Junction Box**
Name: Junction Box
Material: Aircraft Aluminum A383



- **Model: Ex-25P Support**
Name: 25° Pole Support
Material: Aircraft Aluminum A383



- **Model: Ex-D01**
Name: Pendant Direction Adapter
Material: Aircraft Aluminum A383



- **Model: Ex-Bended Pipe**
Name: Bended Pipe
Material: Iron



- **Model: Ex-25J Support**
Name: 25° Arm with Junction Box
Material: Aircraft Aluminum A383



- **Model: Ex-90P Support**
Name: 90° Pole Support
Material: Aircraft Aluminum A383



- **Model: Ex-MArm**
Name: Surface Mounting Arm
Material: Aircraft Aluminum A383



- **Model: Ex-25A Support**
Name: 25° Arm Support
Material: Aircraft Aluminum A356



- **Model: Ex-DArm**
Name: Direct Mounting Arm
Material: Aircraft Aluminum A383



- **Model: Ex-90J Support**
Name: 90° Arm with Junction Box
Material: Aircraft Aluminum A383



- **Model: Ex-Conduit 01**
Name: Metal Conduit
Material: Stainless Steel and Aluminum



- **Model: Ex-Hook**
Name: Installation Hook
Material: Aircraft Aluminum A383



- **Model: Ex-90A Support**
Name: 90° Arm Support
Material: Aircraft Aluminum A356



- **Model: Ex-Straight Pipe**
Name: Straight Pipe
Material: Iron

Application :

- ◆ Oil and gas industry
 - All petroleum production and refining
 - Petroleum loading and transportation
 - Petroleum storage and retail
 - LNG industry
 - All mining operations and service
- ◆ Ocean, marine and aerospace field
 - Ocean platform operation facilities
 - Aerospace clean room and production
 - Ocean vessel operations
- ◆ Food and alcohol industry
 - Flour and fine particle production and storage
 - Food and distilling production
 - Alcohol industry
- ◆ Chemical industry
 - All types of paint facilities
 - Chemical production and storage
- ◆ Metal treatment
 - Steel and aluminum factories
 - Pumping stations in any environment
 - Metal smelting, foundry and fabrication
- ◆ Other high humidity, high dust, high temperature, vapor locations.