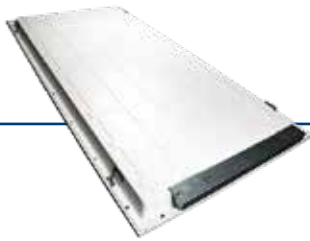


LED BACK-LIT PANEL LIGHT (DLC 5.1 PREMIUM)

- 0-10V Dimming, Flicker Free.
- 170VDC or 48VAC input emergency optional.



LED Back-lit Panel Light



Power&CCT adjustable

*



Dimmable



4000 / 5000..



50,000 H



BEAM ANGLE

Item Number	Wattage (W)	Size (inch)	CCT* (Kelvin)	Luminous flux (lm)	CRI (Ra)	Beam angle (Degree)	Pack Qty (Pcs)	Dimming
WEN-PL231240-TXX-YY	20/30/40	47.7*11.9*1.52	3500K-4000K-5000K&4000K-5000K-6500K	5000	>80	120°	4	0-10V
WEN-PL26640-TXX-YY	20/30/40	23.7*23.7*1.52	3500K-4000K-5000K&4000K-5000K-6500K	5000	>80	120°	4	0-10V
WEN-PL261250-TXX-YY	30/40/50	47.7*23.7*1.52	3500K-4000K-5000K&4000K-5000K-6500K	6250	>80	120°	4	0-10V
WEN-PL261272-TXX-YY	50/60/72	47.7*23.7*1.52	3500K-4000K-5000K&4000K-5000K-6500K	9000	>80	120°	4	0-10V

* For more technical information, please contact our sales representative.

Model Instructions

WEN-PL231240-TXX-YY

Company Code	Category	Series	Size	Max Power	CCT Options	CCT Options	Version
DYU	PL	2	66/612/312	40/50/72	T	XX	YY
	PL= Panel Light	2= the 2 nd Generation	312=1213mm*301mm =47.7inch*11.9inch 66=603mm*603mm =23.7inch*23.7inch 612=1213mm*603mm =47.7inch*23.7inch	40=20W-30W-40W 50=30W-40W-50W 72=50W-60W-72W	T-3 CCTs Options	50=3500K-4000K-5000K 65=4000K-5000K-6500K	Commercial code It can be number or A ,B,C,D

* All data are related to the entire product

Due to the special conditions of the manufacturing processes of LED, the typical data of technical parameters can only reflect statistical figures and do not necessarily correspond to the actual parameters of each single product which could differ from the typical value.

Electrical and Photometric Characteristics

*



Beam Angle
>120°



IP Rating
IP20



Power Factor
>0.9



Dimmable



CRI
>80



Starting Time
<1.0 s



Lumen Maintenance
50,000Hours

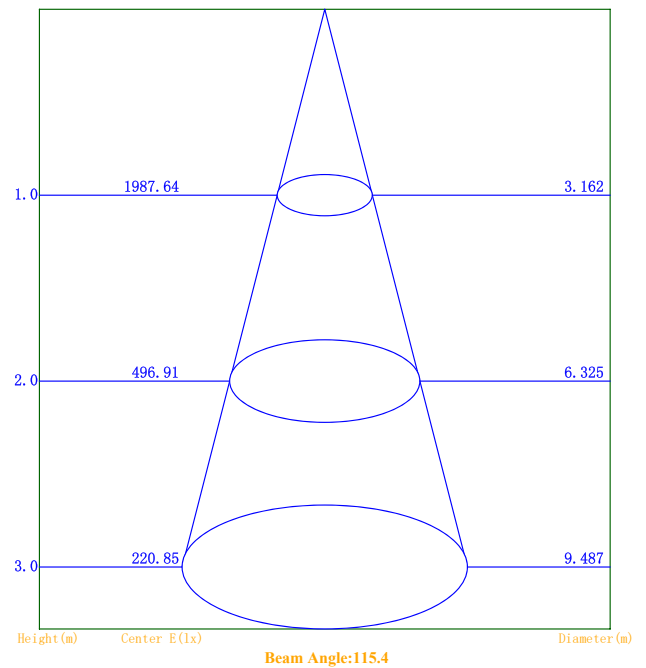
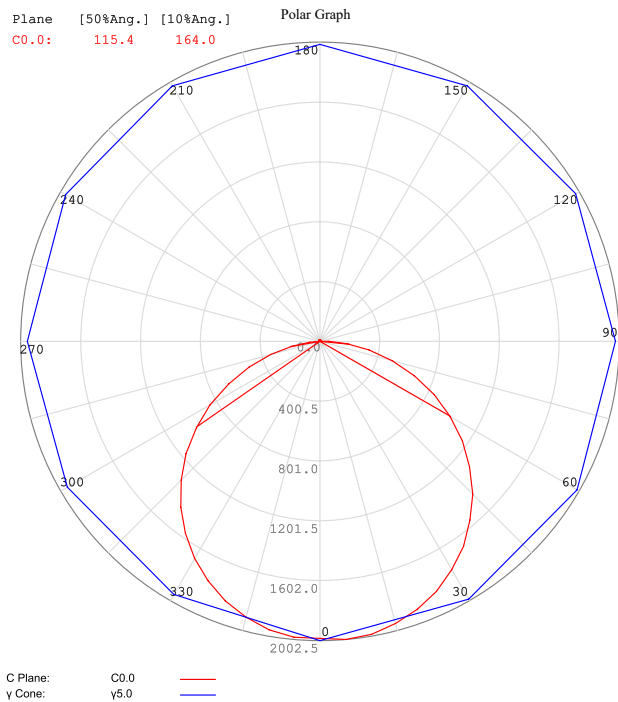


Operating Temp.
-20°C ~ +45°C

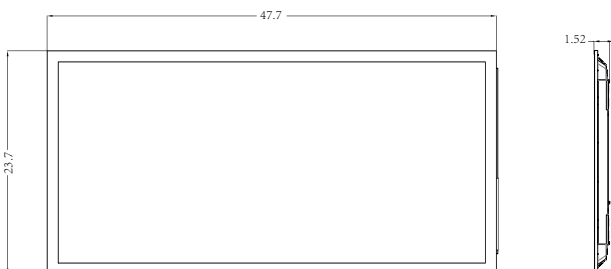
LED Back-lit Panel Light

Luminous Intensity Distribution Diagram

2X4 Back-lit Panel Light 50W 5000K



Dimension Diagram



Item Number	L (inch)	W (inch)	H (inch)
1ft*4ft	47.7	11.9	1.52
2ft*2ft	23.7	23.7	1.52
2ft*4ft	47.7	23.7	1.52

LED Back-lit Panel Light

Package



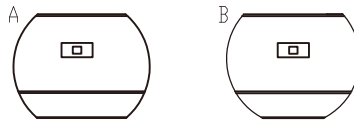
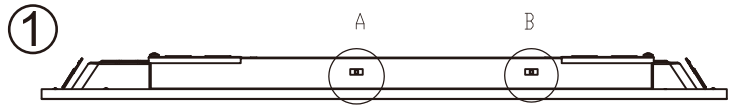
Package Dimension

Size	Size of Carton LxWxH (mm/in)	Net Weight/Pcs	Gross Weight/Carton
1*4	1250x200x400/49.2"L x 7.87"W x 15.75"H	1.91kg/4.21 lbs	9.14kg/20.2lbs
2*2	640x200x700/25.2"L x 7.87"W x 27.56"H	1.84kg/4.06lbs	8.71kg/19.2lbs
2*4	1250x200x700/49.2"L x 7.87"W x 27.56"H	3.91kg/9.62lbs	17.83kg/39.3lbs

Recessed Installation Steps:

1. As the following figure (1): In the view of the power and color temperature switches, please move the two switches to the desired power and color temperature before installation.
2. Turn the clip 90° counter clock wise to secure panel
3. Connect the driver to power source
4. Insert LED panel into T-bar face down, align the panel with edge of T-bar
5. Adjust the panel to right place
6. "Mounting Hook is for positioning only" or equivalent, in Format S24-L2

ALWAYS TURN OFF MAIN POWER BEFORE INSTALLATION

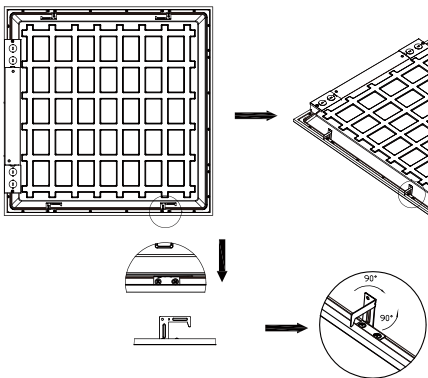


Wattage Selectable
 2X2: Left: 36W; Middle: 30W; Right: 20W
 2X4: Left: 50W; Middle: 42W; Right: 36W
PS: The defaults switch setting is set to 36W(2X2) / 50W(2X4) on the fixture.

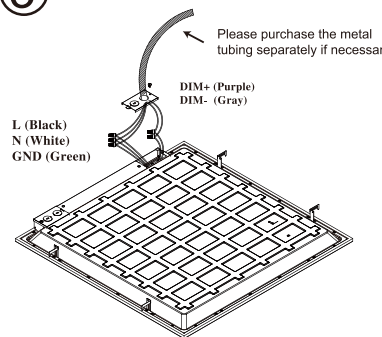
CCT Adjustable
 Left-6500K; Middle-5000K;
 Right-4000K
PS: The defaults switch setting is set to 5000K on the fixture.

*The dip switch is only used to CCT Tunable & Wattage adjustable version.

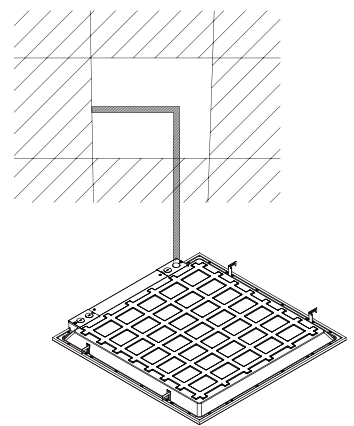
②



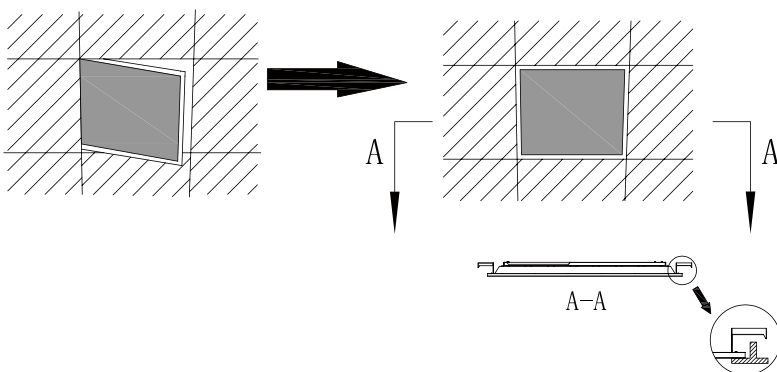
③



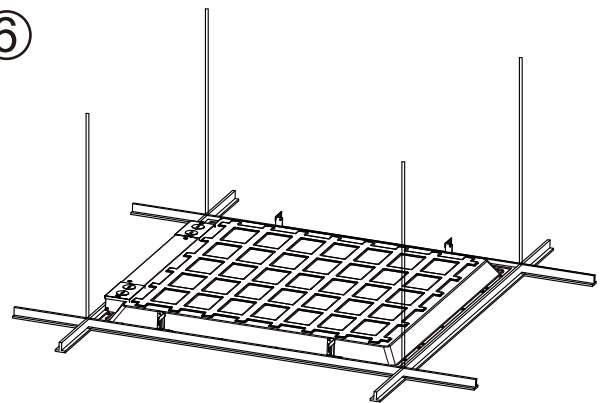
④



⑤



⑥



URGENT: READ PRIOR TO ATTEMPTING INSTALLATION