

O Series

LED Explosion Proof Light



Standard Materials:

- ◆ Housing: Copper free aluminum
- ◆ Lens: Tempered glass

◆ IP66

Key Features:

- ◆ Compact structure, small size and light weight for easy installation.
- ◆ High vibration and impact resistance.
- ◆ Protective metal cage against potential damage.
- ◆ Tempered glass for high heat resistance.
- ◆ Mounting ways: pendant, wall and end bracket mountings.
- ◆ Beam angles are optional: 40°/60°/90°/120°.
- ◆ Low temperature applications to -20°C (-4°F) and high temperature up to 60°C (140°F).
- ◆ Best-in-class efficacy up to 140 lumens per watt.

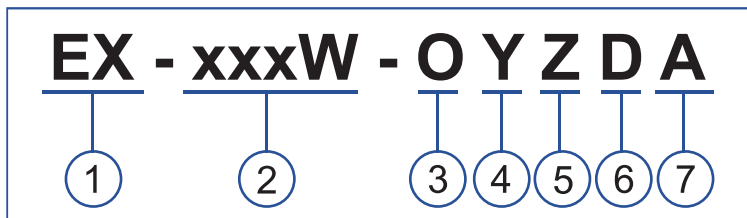
Additional Features:

- ◆ Environmentally Friendly 50,000 hours lifespan.
- ◆ Waterproof and dust-proof, without internal cleaning and maintenance.
- ◆ 5-year warranty.

Applications:

- ◆ Oil and gas industry
 - All petroleum production and refining
 - Petroleum loading and transportation
 - Petroleum storage and retail
 - LNG industry
 - All mining operations and service
- ◆ Ocean, marine and aerospace field
 - Ocean platform operation facilities
 - Aerospace clean room and production
 - Ocean vessel operations
- ◆ Chemical industry
 - All types of paint facilities
 - Chemical production and storage
- ◆ Metal treatment
 - Steel and aluminum factories
 - Pumping stations in any environment
 - Metal smelting, foundry and fabrication
- ◆ Food and alcohol industry
 - Flour and fine particle production and storage
 - Food and distilling production
 - Alcohol industry

Ordering Guide:

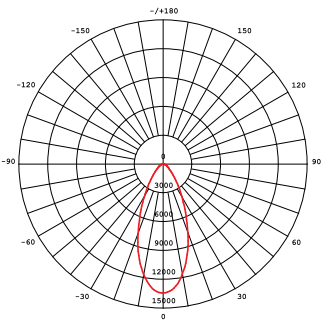


- ① **PRODUCT CATEGORY**
 - ◆ Explosion proof light
- ② **WATTAGE**
 - ◆ 10W/20W/30W/40W
- ③ **PRODUCT SERIES**
 - ◆ O Series
- ④ **DIMMING OPTION**
 - ◆ D= dimable
 - ◆ N= Non-dimable
- ⑤ **CCT**
 - ◆ 2200K-7000K
- ⑥ **BEAM ANGLE**
 - ◆ D40= 40°
 - ◆ D60= 60°
 - ◆ D90= 90°
 - ◆ D120= 120°
- ⑦ **GLASS INFORMATION**
 - ◆ Blank= Flat glass
 - ◆ c= Spherical glass

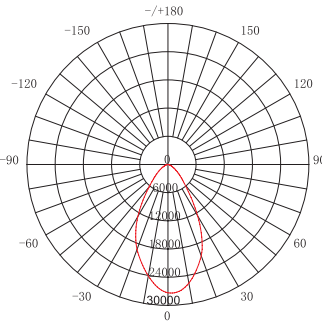
Technical Data:

Model	Wattage	Operating Voltage	Total Lumens (lm)	Efficacy (lm/W)	CRI	CCT
EX-10W OYZDA	10W	AC100-277/220-480V	1,400	140	>70	2200K-7000K
EX-20W OYZDA	20W	AC100-277/220-480V	2,800	140	>70	2200K-7000K
EX-30W OYZDA	30W	AC100-277/220-480V	4,200	140	>70	2200K-7000K
EX-40W OYZDA	40W	AC100-277/220-480V	5,600	140	>70	2200K-7000K

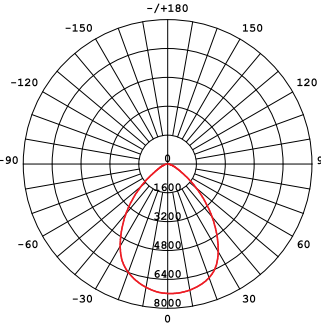
Photometry:



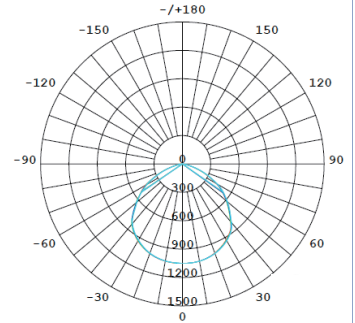
Beam angle: 40°



Beam angle: 60°

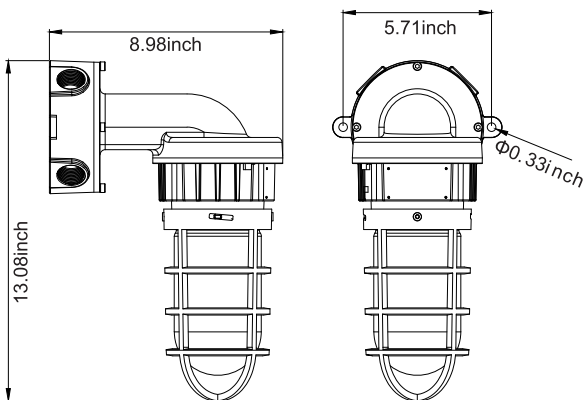


Beam angle: 90°



Beam angle: 120°

Dimensions & Packing:



Model	Quantity/Carton	Packing Size	Net Weight	Gross Weight
EX-10W OYZDA	1 PC	10.43x14.96x10.04inch	4.62kg/10.25lbs	5.4kg/11.90lbs
EX-20W OYZDA	1 PC			
EX-30W OYZDA	1 PC			
EX-40W OYZDA	1 PC			

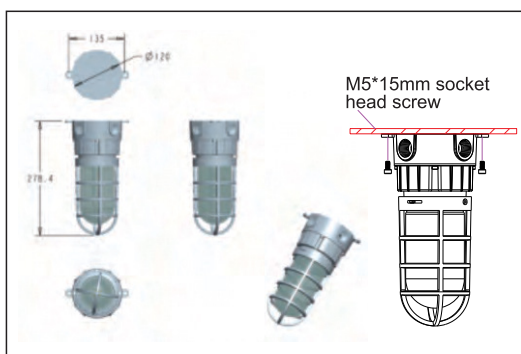
Installation Guidance:

⚠ WARNING Risk of fire, electric shock or personal injury. Please turn off power before installation!

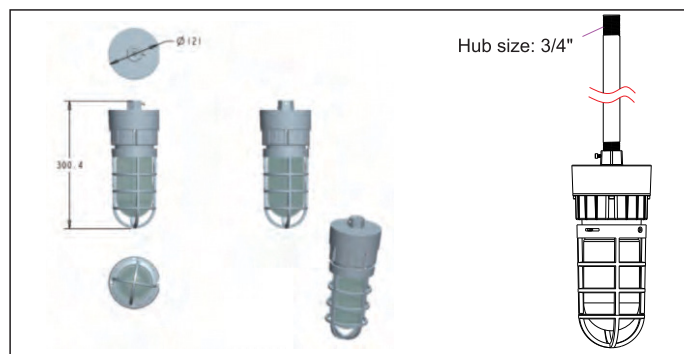
- ⦿ READ INSTRUCTIONS CAREFULLY BEFORE INSTALLING. KEEP THIS INSTRUCTIONS FOR FUTURE REFERENCE.
- ⦿ THIS PRODUCT MUST BE INSTALLED IN ACCORDANCE WITH THE APPLICABLE INSTALLATION CODE BY QUALIFIED ELECTRICIAN WHO IS FAMILIAR WITH THE CONSTRUCTION AND OPERATION OF THE PRODUCT AND THE HAZARDOUS INVOLVED.
- ⦿ Fixtures must be wired in accordance with the National electrical code and all applicable local codes. Proper grounding is required for safety.
- ⦿ Risk of fire or electric shock. Exit light installation requires knowledge of luminaires and electrical systems. DO NOT open the enclosure when energized. DO NOT try to install if not qualified. Please contact a professional electrician.
- ⦿ Risk of fire or electric shock. Suitable for wet locations. Make sure the power is off prior to installation.
- ⦿ Risk of fire or electric shock. Suitable for non-insulated surface and frame. DO NOT cover fixture with insulation liner or similar material.
- ⦿ DO NOT install in unstable, loose or breakable surfaces.
- ⦿ DO NOT let objects impact or exert force on the surface of the fixture.

Mounting:

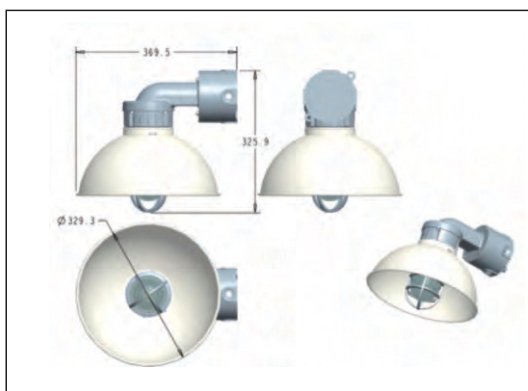
⦿ Ceiling Mounting:



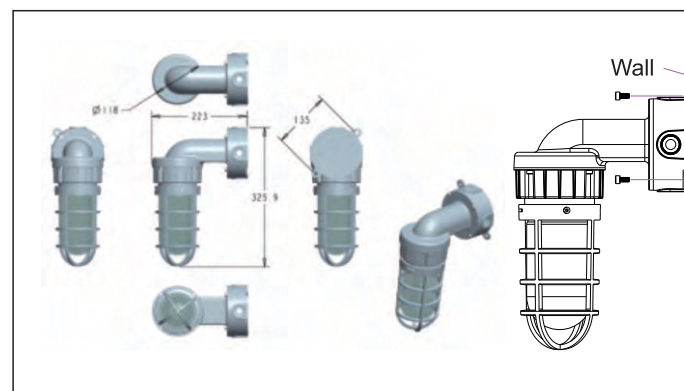
⦿ Pole Mounting:



⦿ 90° Walling Mounting (with Reflector):



⦿ 90° Wall Mounting:



Accessories:



Pendent



Ceiling/Wall



Ceiling/Wall (Interior Detail)



Wall Elbow



Reflector



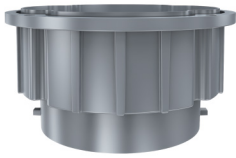
Extension



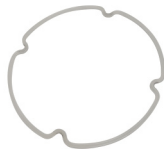
Globe



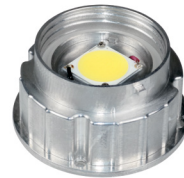
Guard



Heat Sink



Clear



Main Part