

C Series

LED Explosion Proof Light



C2



C



C3

Standard Materials:

- ◆ Housing: Copper-free aluminum
- ◆ Lens: Tempered glass
- ◆ Hardware: Stainless steel
- ◆ Mounting Bracket: Stainless steel
- ◆ IP66

Key Features:

- 1 Dimmable and battery backup function is available.
- 2 High-quality SMT LED and Meanwell driver.
- 3 Heavy-duty and high impact resistance.
- 4 Replaceable LED board and drivers.
- 5 Integrated junction box for driver.
- 6 Marine rating powder coated finish treatment.
- 7 Various installation ways for different applications.
- 8 Glass lens or polycarbonate lens for making different beam angles.

Additional Features:

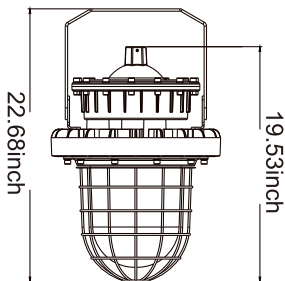
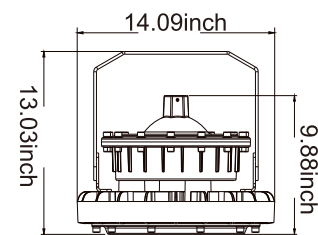
- Emergency battery backup is available.
- 5-year warranty.
- Working Temperature: -40°C to 60°C (-40°F to 140°F); ATEX & IECEx (IC solution): -40°C to 80°C (-40°F to 176°F).

Technical Data:

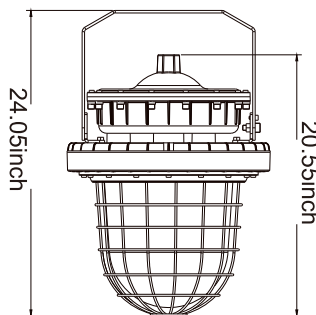
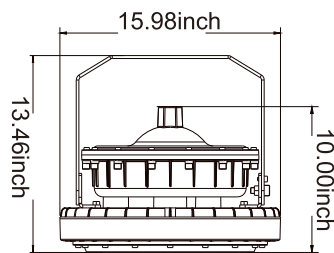
Model	Wattage	Operating Voltage	Lumens (lm)	Efficacy (lm/W)	CRI	CCT	Emergency Time
EX-20W C2YZDA	20W	AC100-277V/DC12-48V, AC200-480V	2,800	140	>70	2200K-7000K	3 hours
EX-40W C2YZDA	40W		5,600				
EX-60W C2YZDA	60W		8,400				
EX-80W C2YZDA	80W		11,200				
EX-100W CYZDA	100W		14,000				
EX-150W CYZDA	150W		21,000				
EX-200W C3YZDA	200W		28,000				
EX-250W C3YZDA	250W		35,000				
EX-280W C3YZDA	280W		39,200				

Dimensions:

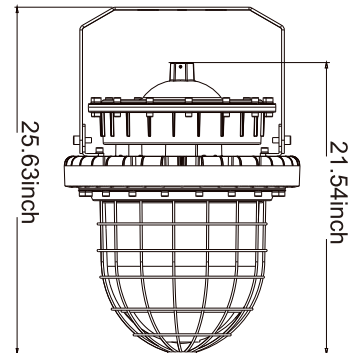
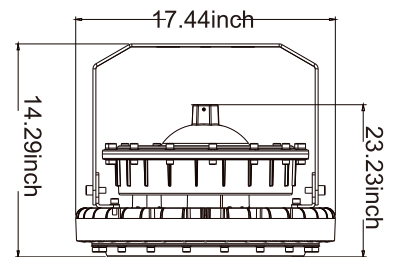
C2 Series



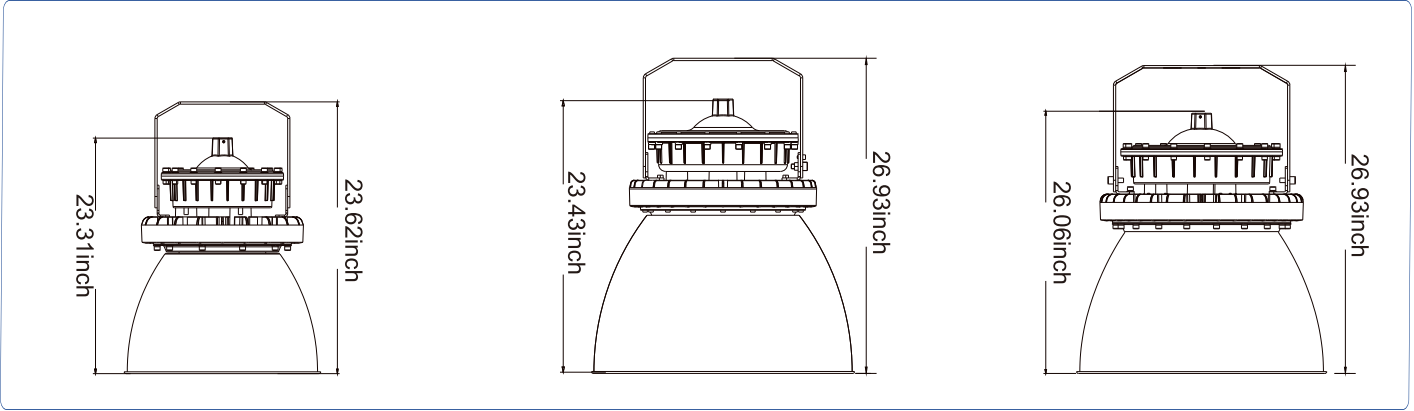
C Series



C3 Series



LED Explosion Proof Light - C Series



Photometry:

Center Beam fc	Beam Width	
4ft	2008fc	4ft
8ft	480fc	7ft
12ft	203fc	11ft
16ft	115fc	15ft
20ft	88fc	19ft

■ Vert, Spread; 40°
■ Horiz, Spread; 40°

40°

Center Beam fc	Beam Width	
4ft	1434fc	6ft
8ft	343fc	11ft
12ft	145fc	17ft
16ft	81fc	22ft
20ft	69fc	27ft

■ Vert, Spread; 60°
■ Horiz, Spread; 60°

60°

Center Beam fc	Beam Width	
4ft	1024fc	8ft
8ft	255fc	15ft
12ft	105fc	24ft
16ft	58fc	32ft
20ft	39fc	39ft

■ Vert, Spread; 90°
■ Horiz, Spread; 90°

90°

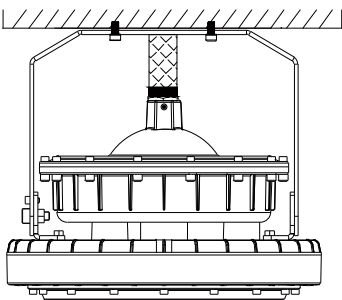
Center Beam fc	Beam Width	
4ft	683fc	11ft
8ft	170fc	21ft
12ft	73fc	32ft
16ft	39fc	43ft
20ft	26fc	53ft

■ Vert, Spread; 120°
■ Horiz, Spread; 120°

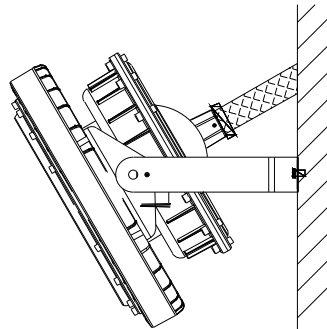
120°

Mounting Methods:

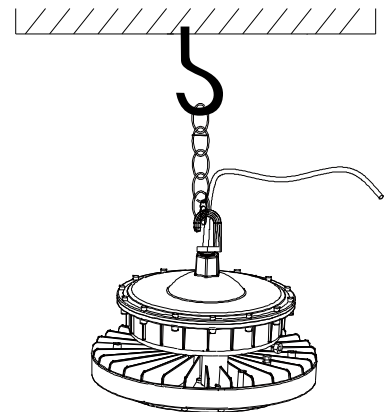
◆ Ceiling Mounting:



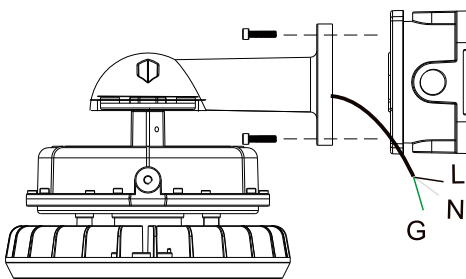
◆ Wall Mounting:



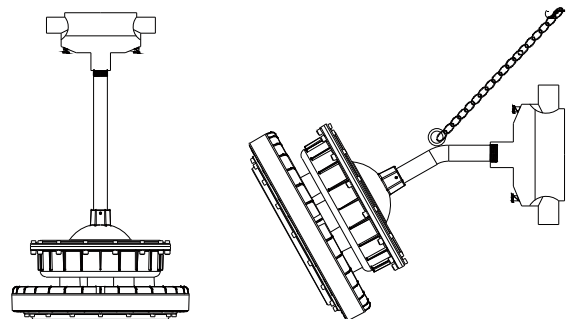
◆ Hook Pendant Mounting:



◆ Wall Mounting to Junction Box:



◆ Pole Mounting:



Accessories:



- Model: Ex-Junction Box
Name: Junction Box
Material: Aircraft Aluminum A383



- Model: Ex-25° Arm Support
Name: 25° Arm Support
Material: Aircraft Aluminum A356



- Model: Ex-D01
Name: Pendant Direction Adapter
Material: Aircraft Aluminum A383



- Model: EX-Bended Pipe
Name: Bended Pipe
Material: Iron



- Model: Ex-Lamp Shade
Name: Lamp Shade
Material: Aluminum A1070



- Model: Ex-Conduit 01
Name: Metal Conduit
Material: Stainless Steel and Aluminum



- Model: Ex-90° Arm Support
Name: 90° Arm Support
Material: Aircraft Aluminum A356



- Model: Ex-Lamp Shade
Name: Cut off lamp shade
Material: Aluminum A1070



- Model: EX-Straight Pipe
Name: Straight Pipe
Material: Iron



- Model: EX-Hook
Name: Installation Hook
Material: Aircraft Aluminum A383



- Model: Ex-Chain
Name: Pendant Chain
Material: Stainless Steel S30400

Application :

- Oil and gas industry
 - All petroleum production and refining
 - Petroleum loading and transportation
 - Petroleum storage and retail
 - LNG industry
 - All mining operations and service
- Ocean, marine and aerospace field
 - Ocean platform operation facilities
 - Aerospace clean room and production
 - Ocean vessel operations
- Food and alcohol industry
 - Flour and fine particle production and storage
 - Food and distilling production
 - Alcohol industry
- Chemical industry
 - All types of paint facilities
 - Chemical production and storage
- Metal treatment
 - Steel and aluminum factories
 - Pumping stations in any environment
 - Metal smelting, foundry and fabrication
- Other high humidity, high dust, high temperature, vapor locations.