

LED Solar Lights



60W Solar LED Street Light



Lighting

Name	Solar LED Street Light
Model	AI-U60W
Rated power	60W
Luminous flux	7,200lm
CRI	>80
Input voltage	18VDC
Beam angle	140* 70°
LED brand:	PHILIPS SMD3030
LED qty	90Pcs



Solar Controller

System voltage	12V
Output power	12V/60W Max
Charging current	8A Max
Output current	5A Max
Sensor type	microwave
Protections	over-charge/over-discharge/over-voltage
Charging mode	MPPT
Programmable by remote	YES



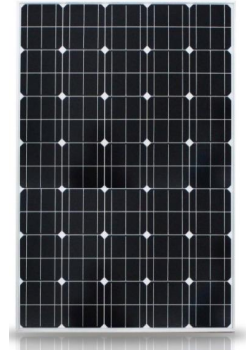
Battery

Battery Type	Lithium Battery
Energy	635WH
Nominal Voltage	11.1V
Rated Capacity	57.2AH
Charge Voltage	12.6V
Standard Discharge Current	1.0A
Discharge Cut-off Voltage	10.5V
Cells Qty	66Pcs (2600mA 3.7V)
Lifetime	1000 Cycles (>80% capacity)



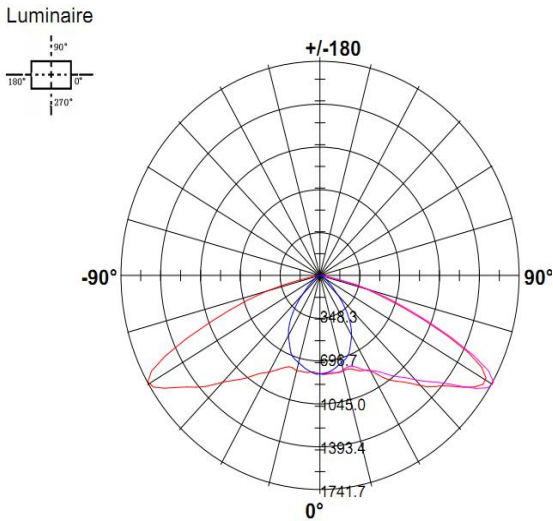
Solar Panel

Cell brand type	Taiwan brand
Dimension	1040*670*35mm
Max power	120W
Max voltage	18VDC
Max. working current	6.67A
Max. system voltage	1000V
Cable section	2.5mm2
Connection	Solar power cable 2M

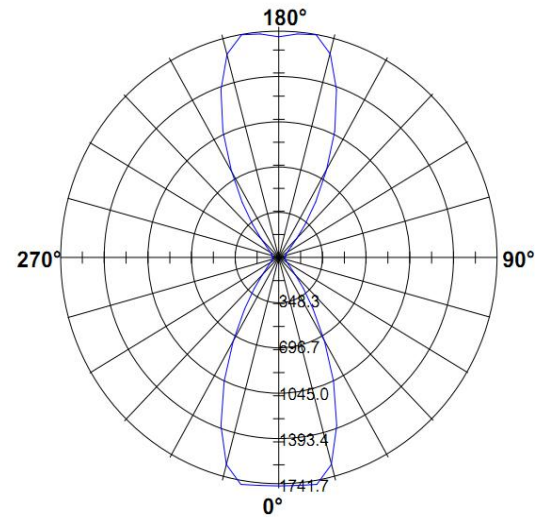


Distribution Curve:

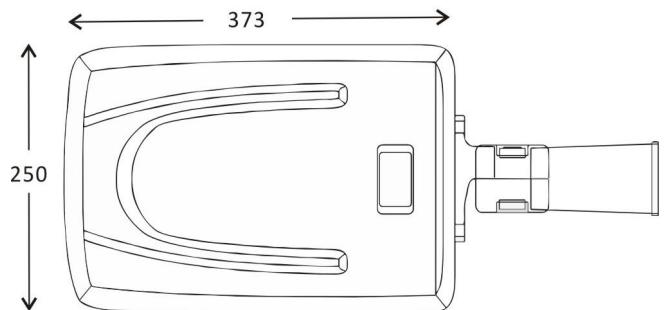
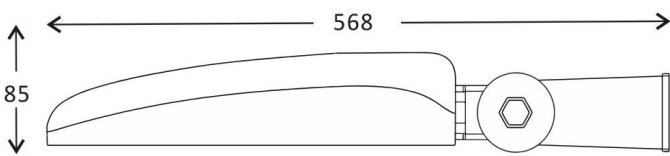
Light Distribution Curve [Unit: cd]



Max Plane Light Distribution Curve [Unit: cd]



Dimension (mm)



Application

Paths of gardens, park, subsidiary roads, branch roads, residential roads , sports lighting etc.

Product Advantage

- ◎ Battery and solar controller, sensor are built-inside of light, only need to be connected to 18V system.
- ◎ MC4 male & female plugs directly to 18V solar panel. quick and easy for connection.
- ◎ Good appearance, small size and light weight, easy to install;
- ◎ Energy saving 100% generated from solar.less power consumption than traditional