

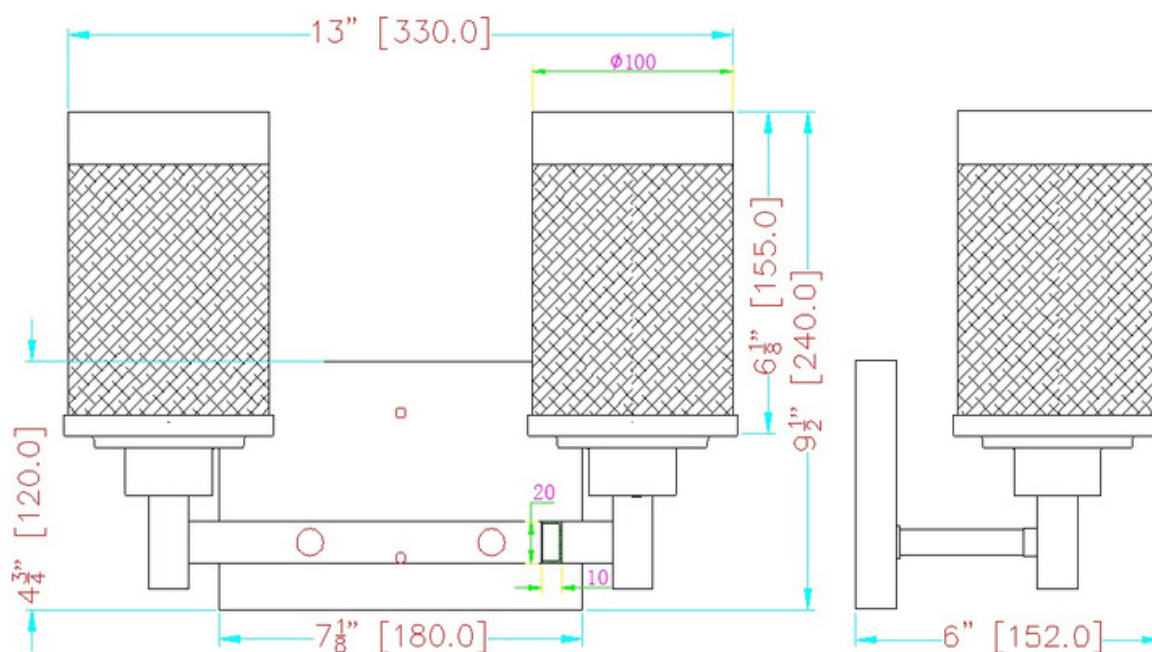
LED VANITY LIGHT



SPECIFICATIONS



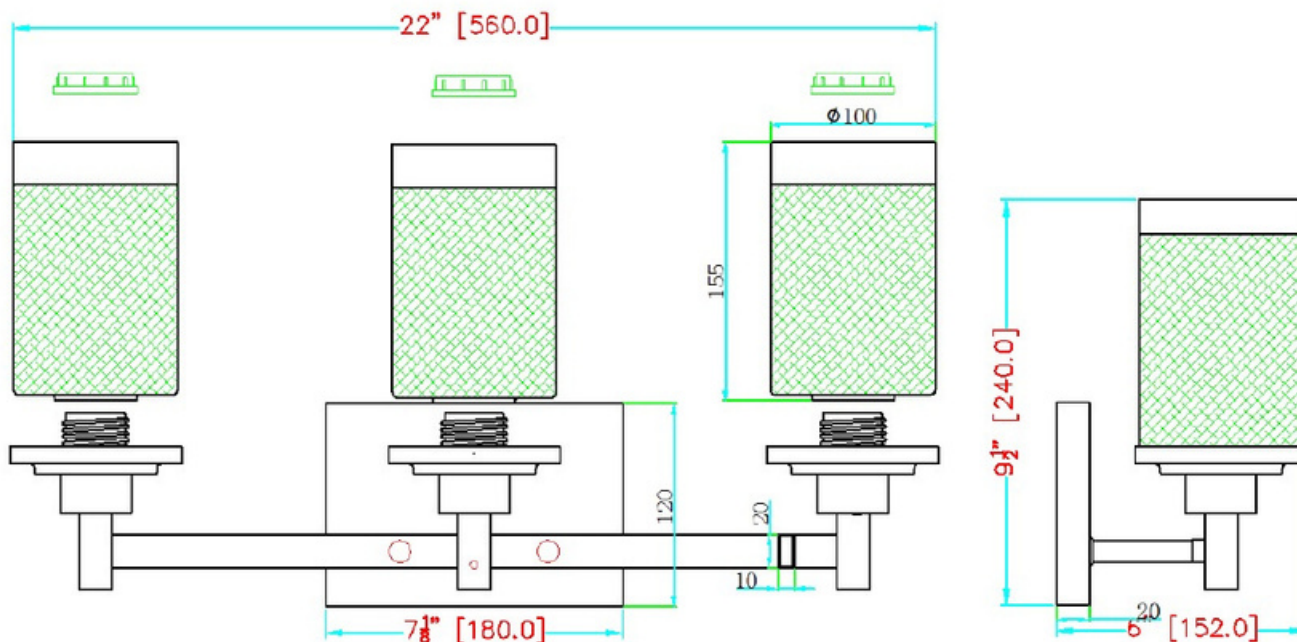
- PRODUCT MODEL IVA-2977-BN
- LAMP HOLDER 2xE26x60W Max (Not including Bulb)
- VOLTAGE AC120V
- IP RATED DAMP LOCATION
- OPERATING TEMPRATURE -20~45 °C
- MATERIAL STEEL
- FINISH BRUSHED NICKEL
- MOUNTING WALL MOUNTING
- SHADE SHAPE CYLINDER
- SHADE MATERIAL GLASS
- SHADE COLOR FROSTED GLASS
- WARRANTY 5-YEAR LIMITED
- FIXTURE SIZE 13"X6"X9-1/2"
- CASE QUANTITY 1 PACK
- MASTER CARTON SIZE 38X15X33cm
- NET WEIGHT 1.50KG
- GROSS WEIGHT 2.00KG



SPECIFICATIONS



- PRODUCT MODEL IVA-2978-BN
- LAMP HOLDER 3xE26x60W Max (Not including Bulb)
- VOLTAGE AC120V
- IP RATED DAMP LOCATION
- OPERATING TEMPRATURE -20~45 °C
- MATERIAL STEEL
- FINISH BRUSHED NICKEL
- MOUNTING WALL MOUNTING
- SHADE SHAPE CYLINDER
- SHADE MATERIAL GLASS
- SHADE COLOR FROSTED GLASS
- WARRANTY 5-YEAR LIMITED
- FIXTURE SIZE 22"X6"X9-1/2"
- CASE QUANTITY 1 PACK
- MASTER CARTON SIZE 65X15X33cm
- NET WEIGHT 2.15KG
- GROSS WEIGHT 2.85KG



SPECIFICATIONS



- PRODUCT MODEL IVA-2979-BN
- LAMP HOLDER 4xE26x60W Max (Not including Bulb)
- VOLTAGE AC120V
- IP RATED DAMP LOCATION
- OPERATING TEMPRATURE -20~45 °C
- MATERIAL STEEL
- FINISH BRUSHED NICKEL
- MOUNTING WALL MOUNTING
- SHADE SHAPE CYLINDER
- SHADE MATERIAL GLASS
- SHADE COLOR FROSTED GLASS
- WARRANTY 5-YEAR LIMITED
- FIXTURE SIZE 31-1/8" X 6" X 9-1/2"
- CASE QUANTITY 1 PACK
- MASTER CARTON SIZE 88X15X33cm
- NET WEIGHT 3.10KG
- GROSS WEIGHT 4.10KG

