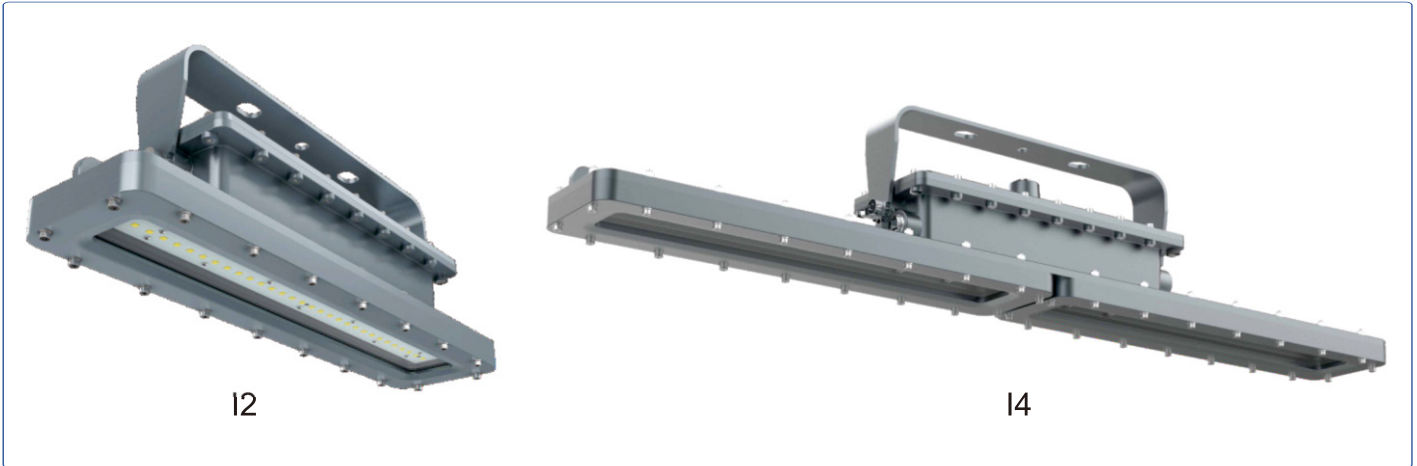


I Series

LED Explosion Proof Light



Standard Materials:

- ◆ Housing: Copper-free aluminum
- ◆ Lens: Glass
- ◆ Hardware: Stainless steel
- ◆ Mounting Bracket: Stainless steel

◆ IP66

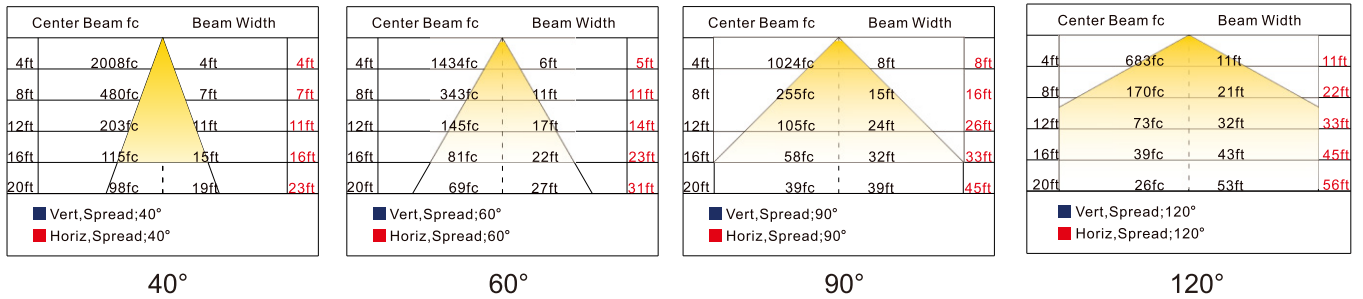
Key Features:

- ① Dimmable and battery backup function is available.
- ② High-quality SMT LED and Meanwell driver.
- ③ Heavy-duty and high impact resistance.
- ④ Replaceable LED board and drivers.
- ⑤ Integrated junction box for driver.
- ⑥ Marine rating powder coated finish treatment.
- ⑦ High efficacy - up to 140 lumens per watt.
- ⑧ 5-year warranty.
- ⑨ Low temperature applications to -40°C (-40°F) and high temperature up to 60°C (140°F).

Technical Data:

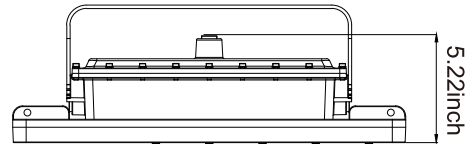
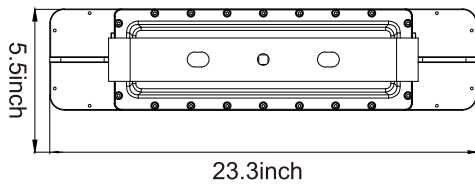
Model	Wattage	Operating Voltage	Lumens (lm)	Efficacy (lm/W)	CRI	CCT	Emergency Time
EX-20W I2YZDA	20W	AC100-277V/200-480V or DC12-36V	2,800	140	>70	2200K-7000K	3 hours
EX-40W I2YZDA	40W		5,600				
EX-50W I2YZDA	50W		7,000				
EX-60W I2YZDA	60W		8,400				
EX-40W I4YZDA	40W		5,600				
EX-60W I4YZDA	60W		8,400				
EX-80W I4YZDA	80W		11,200				
EX-100W I4YZDA	100W		14,000				
EX-120W I4YZDA	120W		16,800				

Photometry:

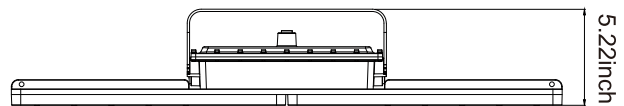
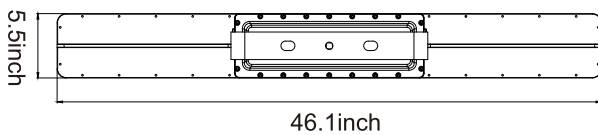


Dimensions:

I2 Series

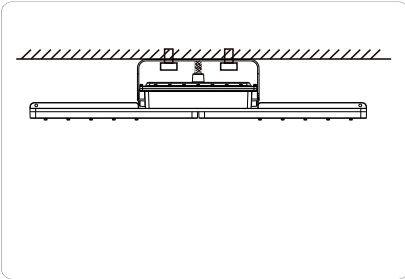


I4 Series

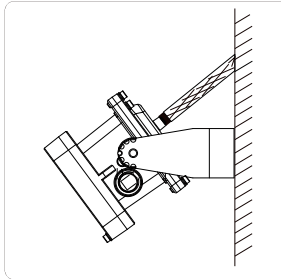


Mounting Methods:

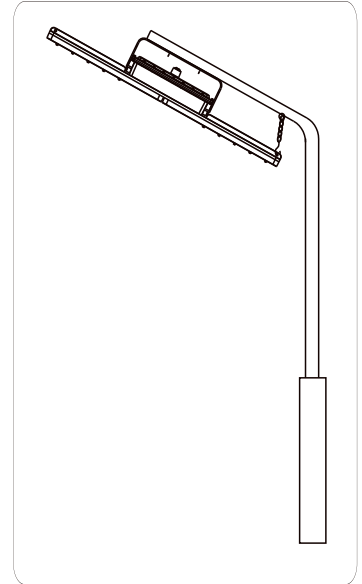
◆ Ceiling Mounting:



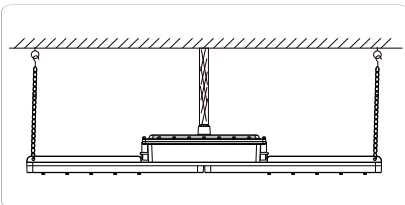
◆ Wall Mounting:



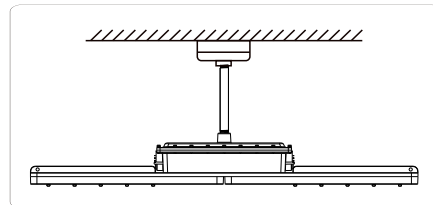
◆ Pole Bracket Mounting:



◆ Chain Mounting:



◆ Pole Pendant Mounting:



Accessories:



- Model: Ex-Junction Box
Name: Junction Box
Material: Aircraft Aluminum A383



- Model: EX-Straight Pipe
Name: Straight Pipe
Material: Iron



- Model: Ex-Conduit 01
Name: Metal Conduit
Material: Stainless Steel and Aluminum



- Model: EX-Bended Pipe
Name: Bended Pipe
Material: Iron



- Model: Ex-Chain
Name: Pendant Chain
Material: Stainless Steel S3040



- Model: Ex-Bracket
Name: U-bracket
Material: Stainless Steel

Application :

- ◆ Oil and gas industry
 - All petroleum production and refining
 - Petroleum loading and transportation
 - Petroleum storage and retail
 - LNG industry
 - All mining operations and service
- ◆ Ocean, marine and aerospace field
 - Ocean platform operation facilities
 - Aerospace clean room and production
 - Ocean vessel operations
- ◆ Food and alcohol industry
 - Flour and fine particle production and storage
 - Food and distilling production
 - Alcohol industry
- ◆ Chemical industry
 - All types of paint facilities
 - Chemical production and storage
- ◆ Metal treatment
 - Steel and aluminum factories
 - Pumping stations in any environment
 - Metal smelting, foundry and fabrication
- ◆ Other high humidity, high dust, high temperature, vapor locations.