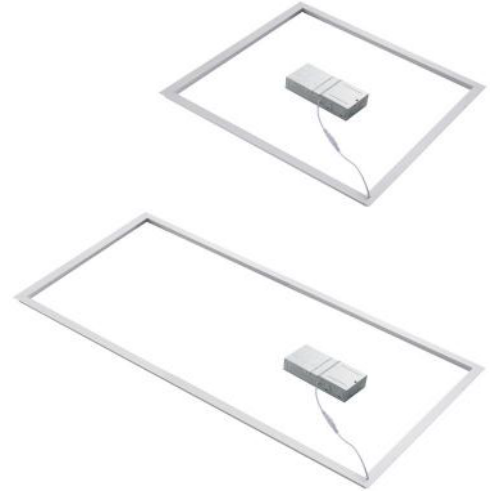
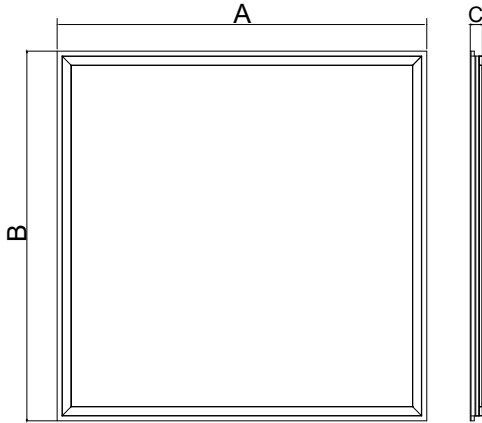


LED T-bar light



Maximum overall	A	B	C
2*2ft	603mm	603mm	15mm
2*4ft	1213mm	603mm	15mm



FEATURES

Input voltage: AC100-277V

Operating frequency: 50/60Hz

Power factor: > 0.95

Ambient temperature range: -20°C ~+45°C

Color Temp: 3000-5000K

Dimmable: 0-10V

THD: ≤10%

IP Rating: IP40

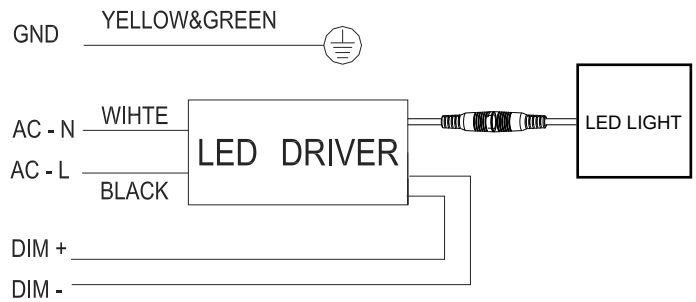
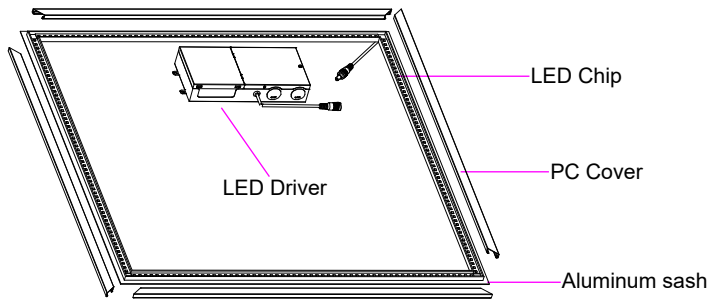
CRI: >Ra80

Beam angle: 120°

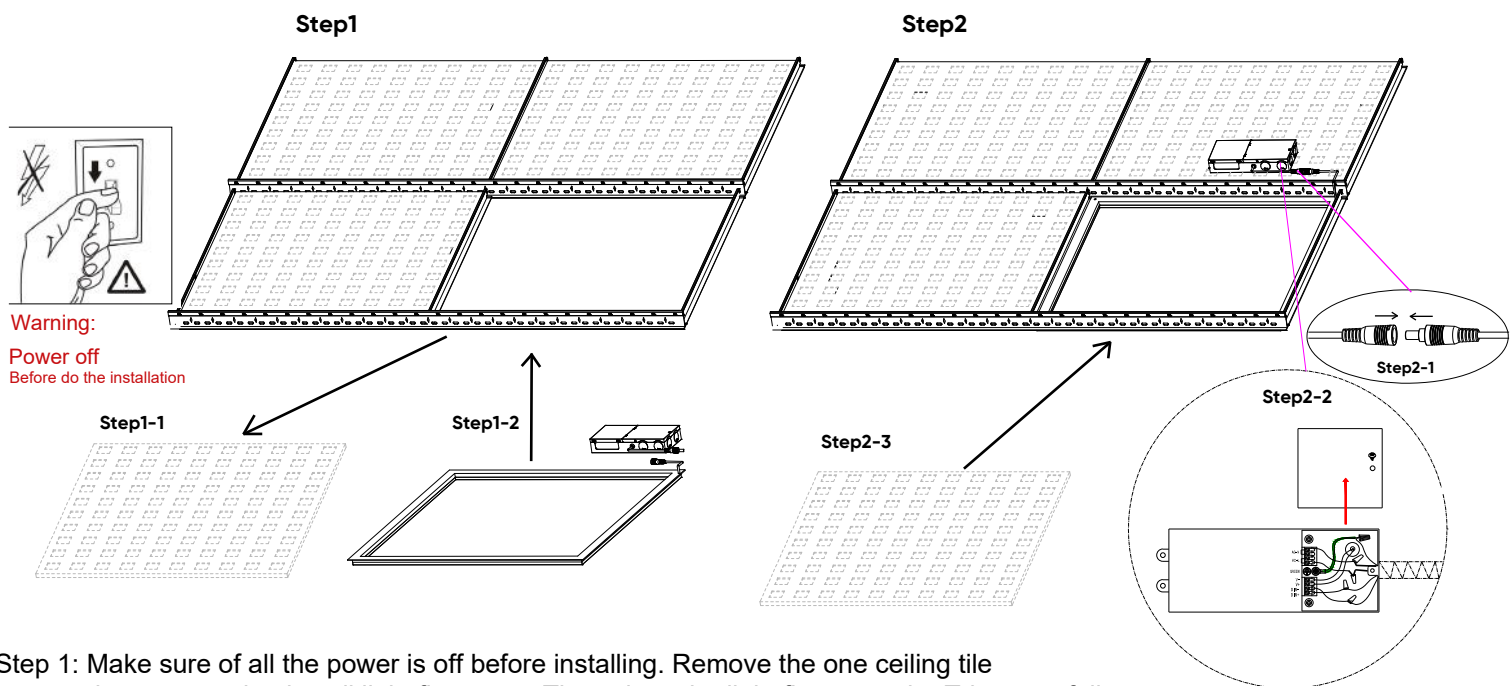
- Luminous Flux: >120lm/w
- Housing material: 6063-T5
- 5 years' warranty

PARAMETER

Length	Product code	Certification	CRI	Wattage	Description Function	Lumens 3000-5000K	Packing/carton	G.W./carton
2*2FT	ZS-TL2*2-T40-CC	ETL/cETLus,DLC,	>80	40W	3-in-1 dimming(0-10V;PWM;Rx)	4800 LM	690*230*650mm 6 pieces 1*40HQ Loading=4080pcs	11kg
2*4FT	ZS-TL2*4-T55-CC	ETL/cETLus,DLC,	>80	55W	3-in-1 dimming(0-10V;PWM;Rx)	6600 LM	1300*230*650mm 6 pieces 1*40HQ Loading=2160pcs	15kg



INSTALLATION INSTRUCTION



Step 1: Make sure of all the power is off before installing. Remove the one ceiling tile that you need to install light fixture on. Then place the light fixture on the T-bar carefully and make sure it is correctly in place and secure.

Step 2: Place the driver on top of the next ceiling tile. Connect the cable between the driver and the lighting fixture.

Step 3: Open the driver's junction box and connect the AC wire to the driver correctly (L=black & N=white)

Warning:

Ensure the power supply has been cut off before connecting the wire, and all wiring and installation of this product are required to be operated by professionals.

2 X 2 LED T- Bar Panel Light

