

# R Series

## LED Explosion Proof Light



### Key Features:

- ① Backup battery is optional.
- ② AC or DC power supply is available.
- ③ Stainless-steel body and PC cover.
- ④ Heavy-duty and high impact resistance.
- ⑤ High-quality SMT LED and Meanwell driver.
- ⑥ Water-proof, vapor-proof, dust-proof, and corrosion resistant.
- ⑦ 5-year warranty.

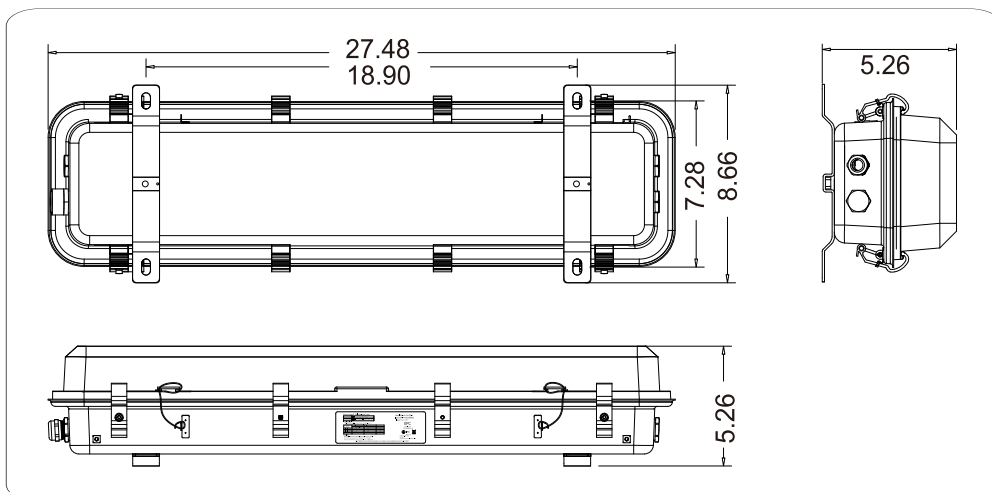
## Technical Data:

Model	Wattage	Operating Voltage	Efficacy (lm/W)	Total Lumens (lm)	CRI	CCT
EX-20W R2YZDA	2×10W/2ft	AC100-277/220-480V	140	2,800	>70	2200K-7000K
EX-30W R2YZDA	2×15W/2ft	AC100-277/220-480V	140	4,200	>70	2200K-7000K
EX-40W R4YZDA	2×20W/4ft	AC100-277/220-480V	140	5,600	>70	2200K-7000K
EX-50W R4YZDA	2×25W/4ft	AC100-277/220-480V	140	7,000	>70	2200K-7000K
EX-60W R4YZDA	2×30W/4ft	AC100-277/220-480V	140	8,400	>70	2200K-7000K

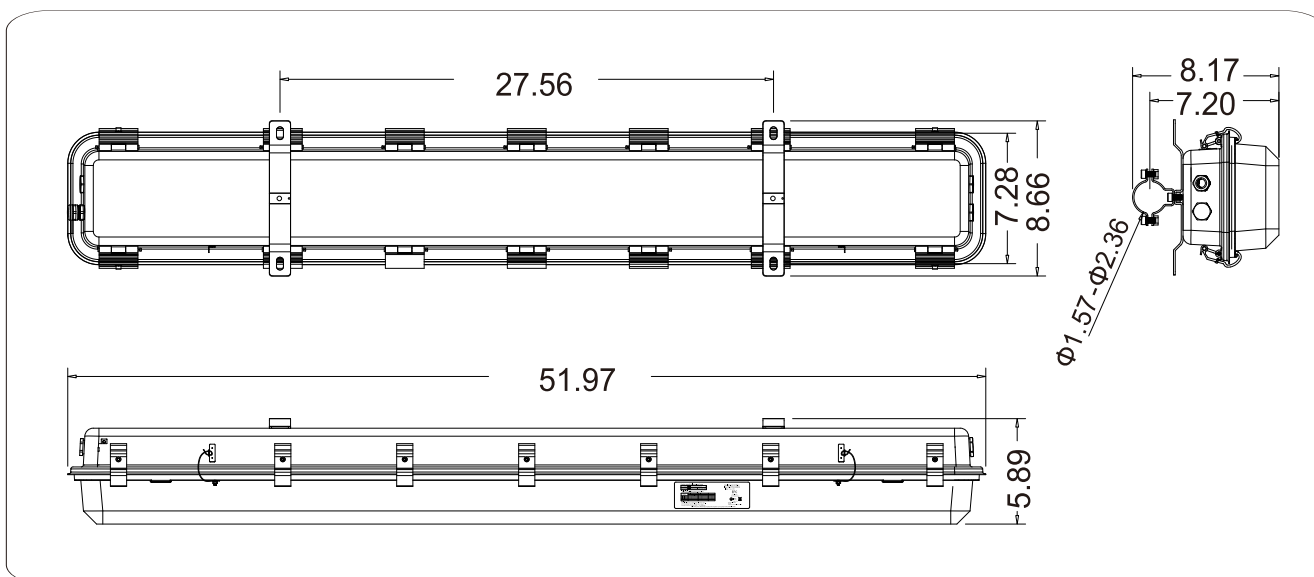
## Dimensions

Unit: inch

### R2



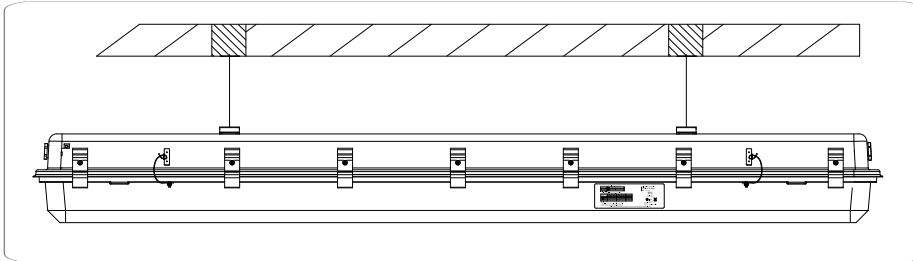
### R4



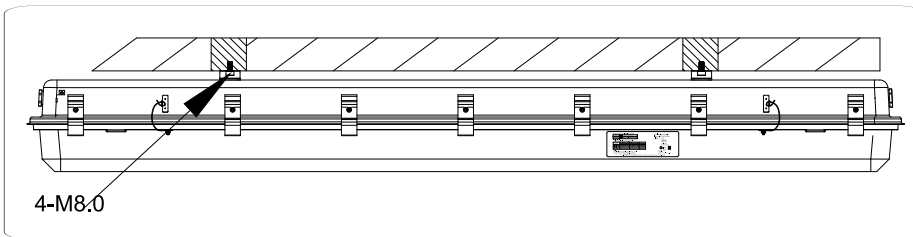
## Mounting:

Unit: inch

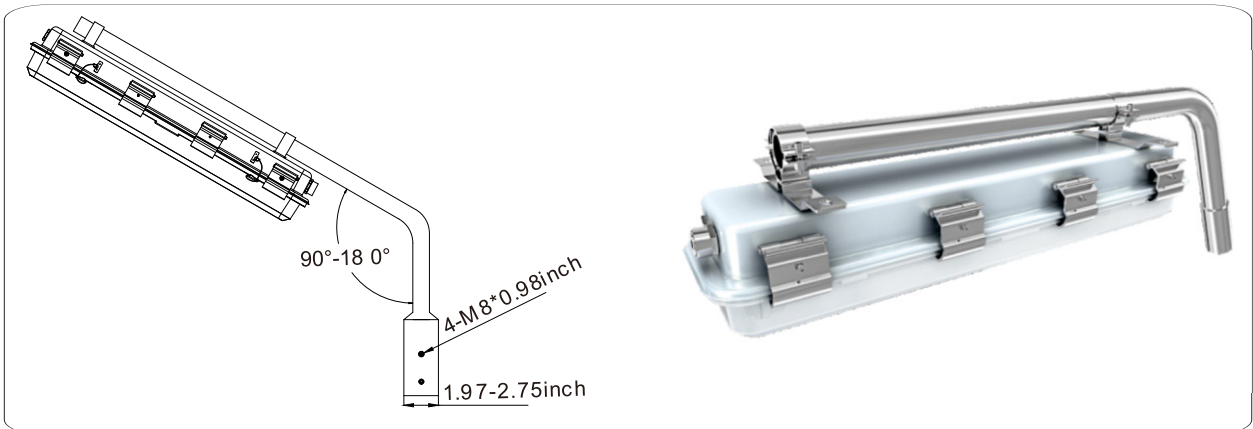
### ◆ Rope Mounting:



### ◆ Ceiling Mounting:



### ◆ Ceiling Mounting:



## Photometry:

120D

	Center Beam fc	Beam Width	
17ft	14fc	51ft	51ft
34ft	3fc	103ft	101ft
51ft	2fc	154ft	153ft
68ft	0.8fc	256ft	255ft
85ft	0.6fc	307ft	306ft

■ Vert, Spread; 120°  
■ Horiz, Spread; 120°

### Application :

- ◆ Oil and gas industry
  - All petroleum production and refining
  - Petroleum loading and transportation
  - Petroleum storage and retail
  - LNG industry
  - All mining operations and service
- ◆ Ocean, marine and aerospace field
  - Ocean platform operation facilities
  - Aerospace clean room and production
  - Ocean vessel operations
- ◆ Food and alcohol industry
  - Flour and fine particle production and storage
  - Food and distilling production
  - Alcohol industry
- ◆ Chemical industry
  - All types of paint facilities
  - Chemical production and storage
- ◆ Metal treatment
  - Steel and aluminum factories
  - Pumping stations in any environment
  - Metal smelting, foundry and fabrication
- ◆ Other high humidity, high dust, high temperature, vapor locations.

