



# LED Canopy Lights

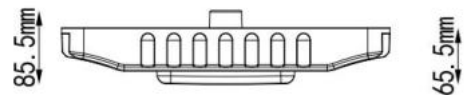
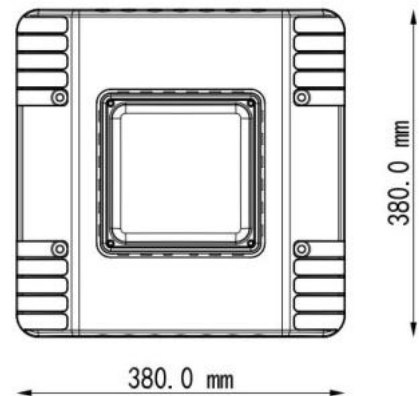




## Note:

- WEN= Company name.
- CP3B = Product series, LED Canopy Light.
- 150W = Rating Power.
- S=Driver manufacturer, SOSEN
- A=LED manufacturer, Hongli 2835
- S= Cover type .striped lens.
- A1 = Version number.
- a = Housing colors, WH=White,
- b= CCT , 40=4000K 45=4500K 50=5000K 57=5700K

## DIMENSIONS



## ADVANTAGE

- UL cUL DLC certificate.
- IP65 driver, input voltage 100-277VAC.
- No UV or IR in the beam.
- Easy to install and operate.
- Energy saving, long lifespan.
- Light is soft and uniform, safe to eyes.
- Instant start, NO flickering, NO humming.
- Green and eco-friendly without mercury.

## APPLICATION

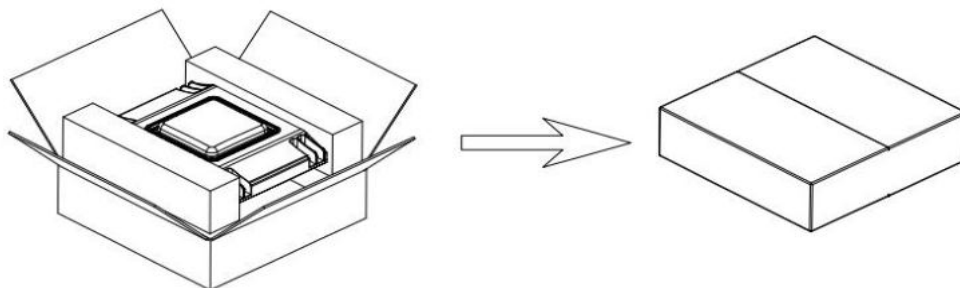
- Widely used in gas station, service station, underground parking lot, warehouse, garage;

## SPECIFICATIONS

<b>OPTICAL</b>	Input Power	150W
	Lumen	18750 - 19050LM
	Lumen Efficacy	125-127 LM/W
	Color Temperature	4000K 4500K 5000K 5700K.
	CRI	>80
	Viewing Angle	120 Degree
<b>ELECTRICAL</b>	Input Voltage	100-277VAC 50/60Hz
	PF	≥0.9
	THD	≤20%
<b>MATERIALS</b>	LED Brand	HongLi
	LED Type	SMD2835 (0.5W)
	LED QTY	465 PCS
	Housing	Aluminum Alloy
	Housing Color	White
	Cover	Stripe Lens
	Waterproof Rating	WET (IP65)
<b>OTHERS</b>	Operating Temperature	-40°C TO 45°C
	Operating Humidity	10%-90% RH
	Storage Temperature	-40°C TO +80°C
	Storage Humidity	5%-95% RH
	Warranty Time	5 Years

## PACKAGE

	Size	Qty/ Carton	Weight/ Carton
Outer box	425 x 420 x 120mm	1 PC	5.1 KG



## LIGHT DISTRIBUTION TESTING PARAMETERS

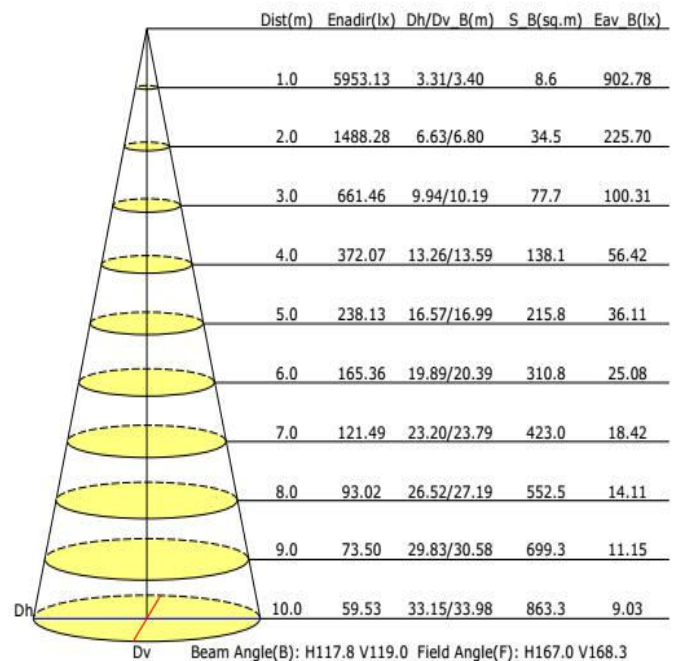
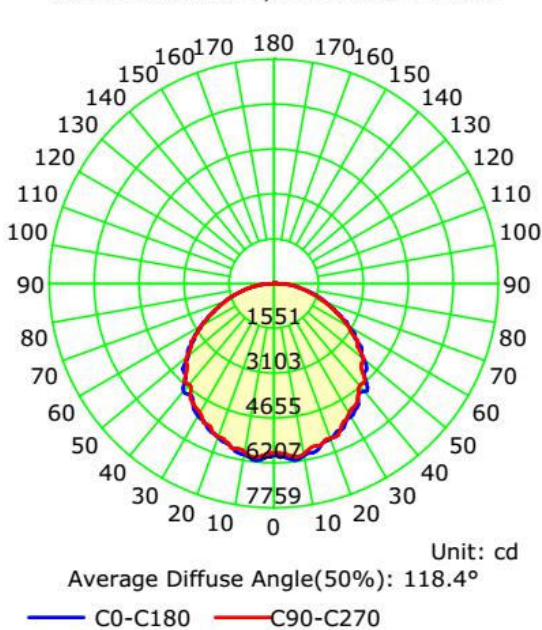
### Photometric Results

CIE Class: Direct  
 Measurement Flux: 18965.2 lm  
 Downward Ratio: 99%  
 Horizontal Diffuse Angle(50%): H117.8  
 Vertical Diffuse Angle(50%): V119  
 Luminaire Efficacy Rating (LER): 126.15  
 Max. Intensity: 6207.61 cd  
 S/MH(C0/C180): 1.32

Total Rated Lamp Lumens: 18965.2 lm  
 Efficiency: 100%  
 Upward Ratio: 1%

Central Intensity: 5953.13 cd  
 Pos of Max. Intensity: H45 V10  
 S/MH(C90/C270): 1.32

Luminous Intensity Distribution Curve



### NOTICE FOR USER

- Please turn off power before install or change assembly parts.
- The input voltage and lamps should be matched, after connecting the power line, Please make sure the wiring section is insulated.
- No-professionals, must not install and disassemble the lamps.

### TROUBLE SHOOTINGS

Troubles	Check points
Flickering of the light	Turn off the power and turn on again in 3 minutes. If same phenomena occur, then call agencies.
Out of working	Please check the connection.