



LED Canopy Lights





WEN LIGHTING
 E-mail: info@wenlighting.com
www.wenlighting.com



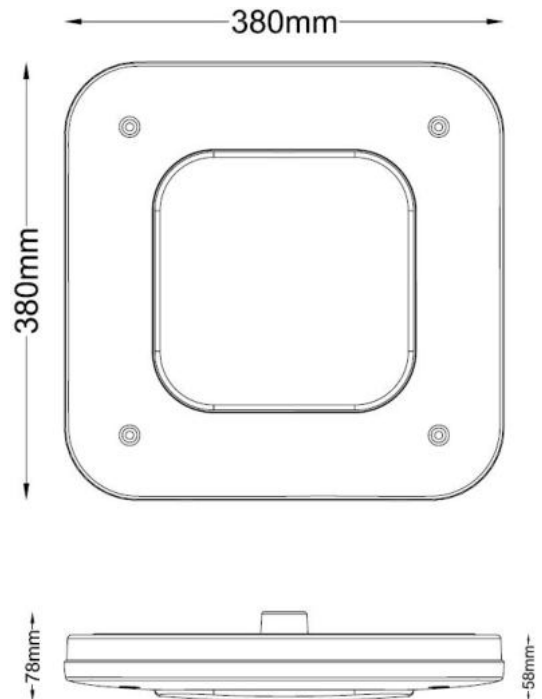
NAME: LED Canopy Light

P/N: WEN-CP-150W-231X-1601

Note: The Letter X in P/N stands for
 1: Ceiling mounted
 2: Threaded rod mounting

Advantage:

- UL cUL DLC certificate
- High CRI
- IP65 driver, Input voltage 100-277Vac
- No UV or IR in the beam
- Easy to install and operate
- Energy saving, Long lifespan
- Light is soft and uniform, Safe to eyes
- Instant start, NO flickering, NO humming
- Green and eco-friendly without mercury.



Application:

- ◆ Widely used in gas station, service station, underground parking lot, warehouse, garage;
- ◆ Work floor, factory and so on.

Product Specifications

Product name	LED Canopy Light
Part No	WEN-CP-150W-2311-1601 or WEN-CP-150W-2312-1601
Dimension	380 x 380 x 78mm

Technical Characteristic

Color temperature	4000K、4500K、5000K、5700K
CRI	>80
Lumen	15000-15600 LM
Input Power	150W
Viewing Angle	110°
Input Voltage	100-277Vac 50/60Hz
Driver model	China Brand Driver
PF	>0.9
Waterproof Rating	WET (IP65)

Materials

LED Type	2835 (0.5W)
LED QTY	420 PCS
Housing	Aluminum
Housing color	White
Cover	Beaded lens

Others

Operating Temperature	-20℃ TO 45℃
Operating Humidity	20%-90% RH
Storage Temperature	-30℃ TO 80℃
Storage Humidity	10%-95%
Application	Outdoor / Indoor
Safety Certification	UL, cUL, DLC
Warranty Time	5 Years

Light Distribution Testing Parameters

Luminaire Property

Luminaire Manufacturer:
Voltage: 120 V
Power: 145.50 W

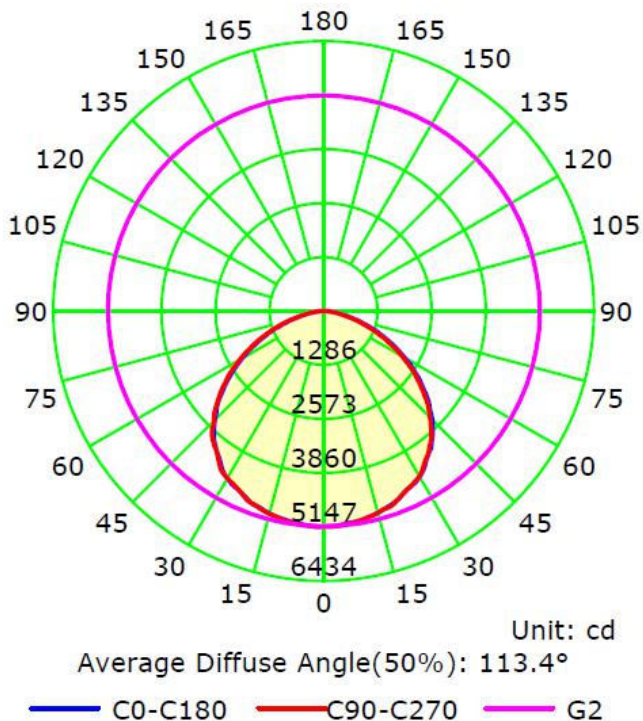
Current: 1.2210 A
Power Factor: 0.993

Photometric Results

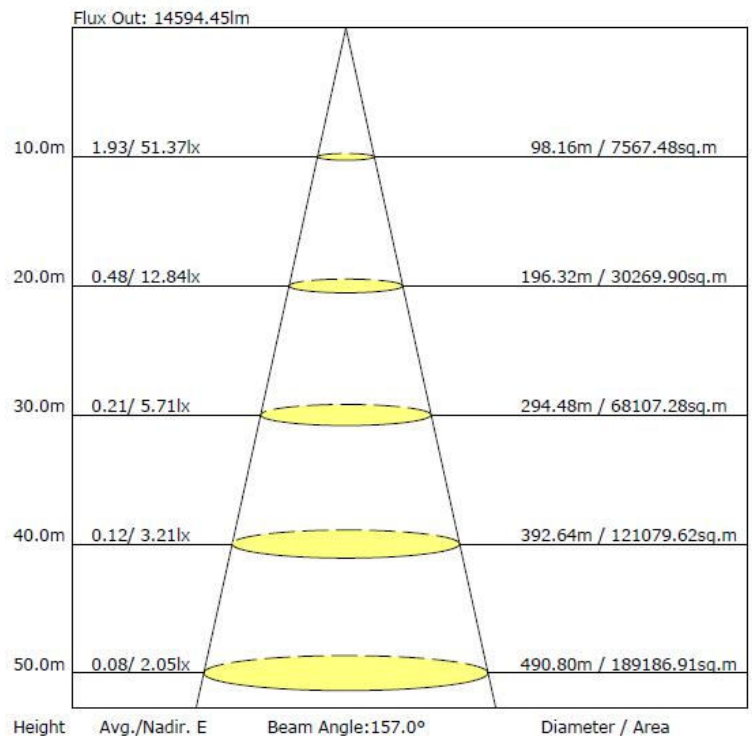
IES Classification: Type II
Total Rated Lamp Lumens: 14866.5 lm
Efficiency: 100%
Upward Ratio: 0%
Central Intensity: 5137.18 cd
Pos of Max. Intensity: H202.5 V2

Longitudinal Classification: Very Short
Measurement Flux: 14866.5 lm
Downward Ratio: 100%
Luminaire Efficacy Rating (LER): 102.18
Max. Intensity: 5147.31 cd

Luminous Intensity Distribution Curve



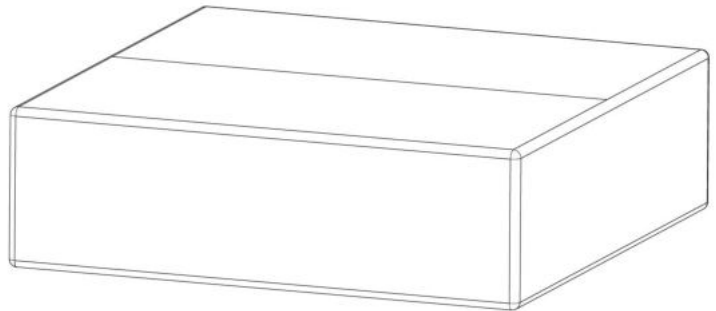
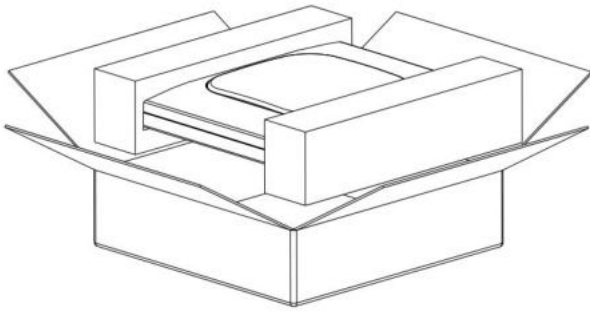
The Average Illuminance Effective Figure



Package

Lamp Net Weight: 6.3 KG / PC

	Size	Qty/ Carton	Weight/ Carton
Outer box	425 x 420 x 120 MM	1	7.3 KG



Notice For User

- ◆ Please turn off power before install or change assembly parts.
- ◆ The input voltage and lamps should be matched, after connecting the power line, Please make sure the wiring section is insulated.
- ◆ No-professionals, must not install and disassemble the lamps.

Trouble Shootings

Troubles	Check points
Flickering of the light	Turn off the power and turn on again in 3 minutes. If same phenomena occur, then call agencies.
Out of working	Please check the connection.