



LED Wall Pack Lights





WEN LIGHTING
 E-mail: info@wenlighting.com
www.wenlighting.com



P/N: WEN-SWP01-120BA2-abcdef

Note:

WEN = Company name

SWP01 = Product series, LED Semi-Cutoff Wall Pack

120 = Rating Power

B= Lumileds 2835;

A2= Version number

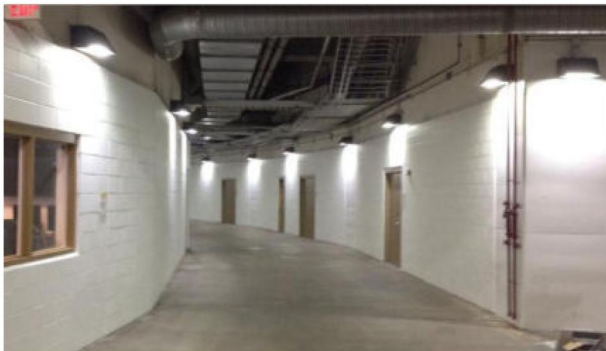
“a” can be any two letters to represent lamp colors;

“b” can be “S” or blank for Surge-Protective Device provided or not;

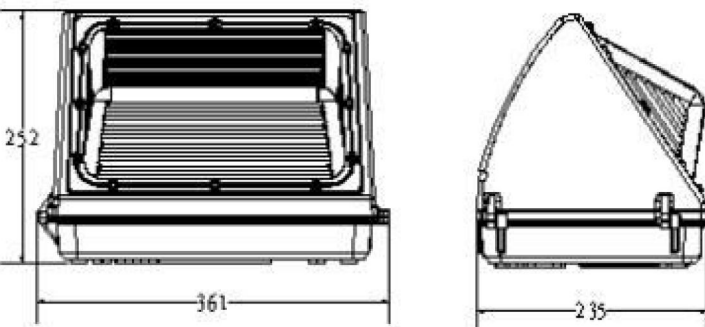
“c” can be “R” or blank for PIR Sensor provided or not;

“d” can be “p” or blank for Photocontrol provided or not;

“f” can be any two digits to represent CCT.



DIMENSIONS



ADVANTAGE

- UL cUL DLC certificate.
- IP65 Internal driver, input voltage 100-277VAC.
- No UV or IR in the beam.
- Easy to install and operate.
- Energy saving, long lifespan.
- Light is soft and uniform, safe to eyes.
- Instant start, NO flickering, NO humming.
- Green and eco-friendly without mercury.

APPLICATION

- Entrance lighting, courtyard lighting
- Industrial lighting, Outdoor landscape lighting;
- Building, The hotel;
- Wall lighting area and so on.

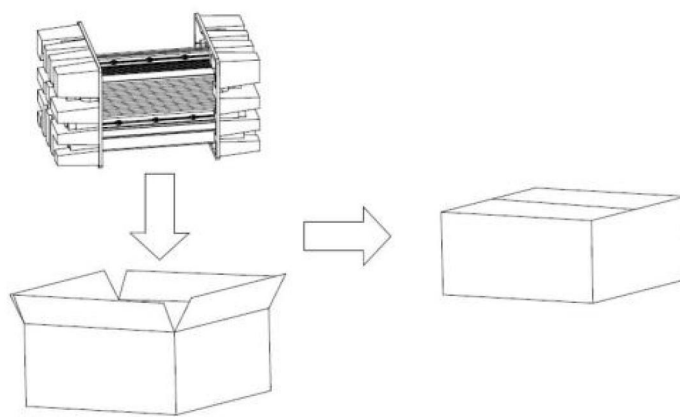


SPECIFICATIONS

OPTICAL	Input Power	120W
	Lumen	14700-16300LM
	Lumen Efficacy	125 -135 LM/W
	Color Temperature	4000K,4500K,5000K,5700K
	CRI	>80
	Viewing Angle	110 Degree
ELECTRICAL	Input Voltage	100-277VAC 50/60Hz
	PF	≥0.9
	THD	≤20%
	Driver Model	China Brand Driver
MATERIALS	LED Type	SMD2835 (0.5W)
	LED QTY	400 PCS
	Housing	Aluminum(ADC12) +PC
	Housing Color	Brown
	Cover	Stripe lens
	Waterproof Rating	WET (IP65)
	Optional Accessory	Photocell / Surge protector
OTHERS	Operating Temperature	-40°C TO 45°C
	Operating Humidity	10%-90% RH
	Storage Temperature	-40°C TO 80°C
	Storage Humidity	10%-95% RH
	Warranty Time	5 Years

PACKAGE

	Size	Qty / Carton	Net Weight / Carton	Gross Weight / Carton
Outer box	400*300*320 MM	1 PC	3.9 KG	5KG





LIGHT DISTRIBUTION TESTING PARAMETERS

Luminaire Property

Luminaire Manufacturer:

Voltage: 119.8 V

Power: 122.40 W

Current: 1.036 A

Power Factor: 0.986

Photometric Results

IES Classification: Type IV

Total Rated Lamp Lumens: 15019.5 lm

Efficiency: 100%

Upward Ratio: 6%

Central Intensity: 4140.5 cd

Pos of Max. Intensity: H90 V48

Longitudinal Classification: Very Short

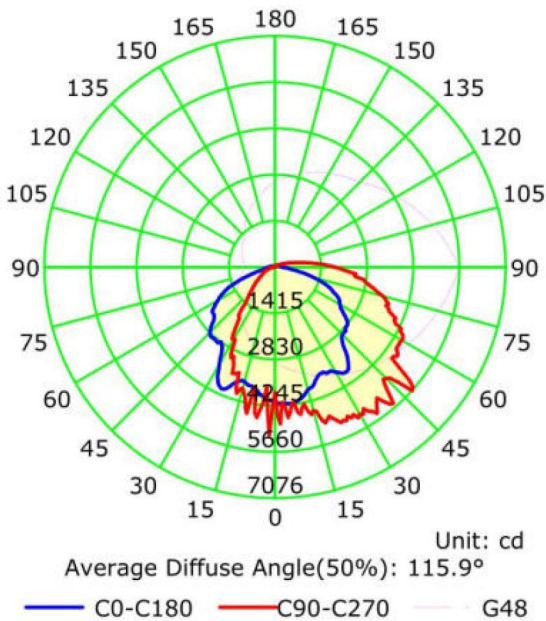
Measurement Flux: 15019.5 lm

Downward Ratio: 94%

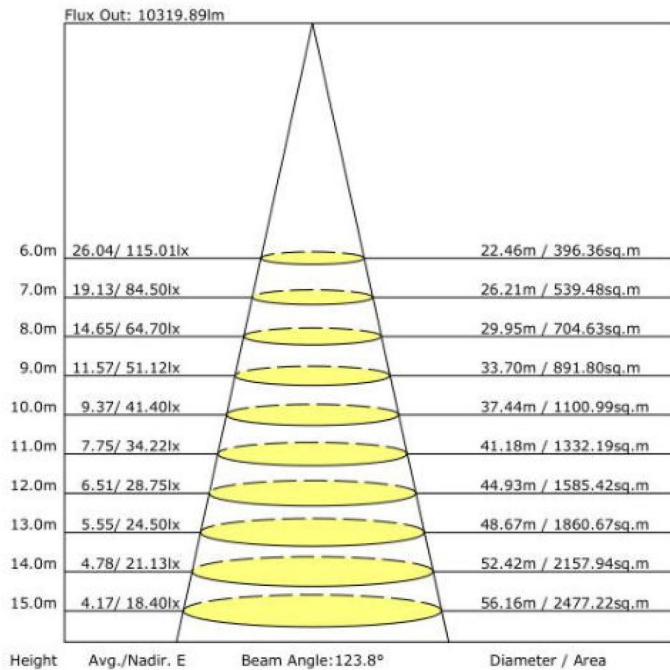
Luminaire Efficacy Rating (LER): 122.76

Max. Intensity: 5660.92 cd

Luminous Intensity Distribution Curve



The Average Illuminance Effective Figure



NOTICE FOR USER

- Please turn off power before install or change assembly parts.
- The input voltage and lamps should be matched, after connecting the power line, Please make sure the wiring section is insulated.
- No-professionals, must not install and disassemble the lamps.

TROUBLE SHOOTINGS

Troubles	Check points
Flickering of the light	Turn off the power and turn on again in 3 minutes. If same phenomena occur, then call agencies.
Out of working	Please check the connection.