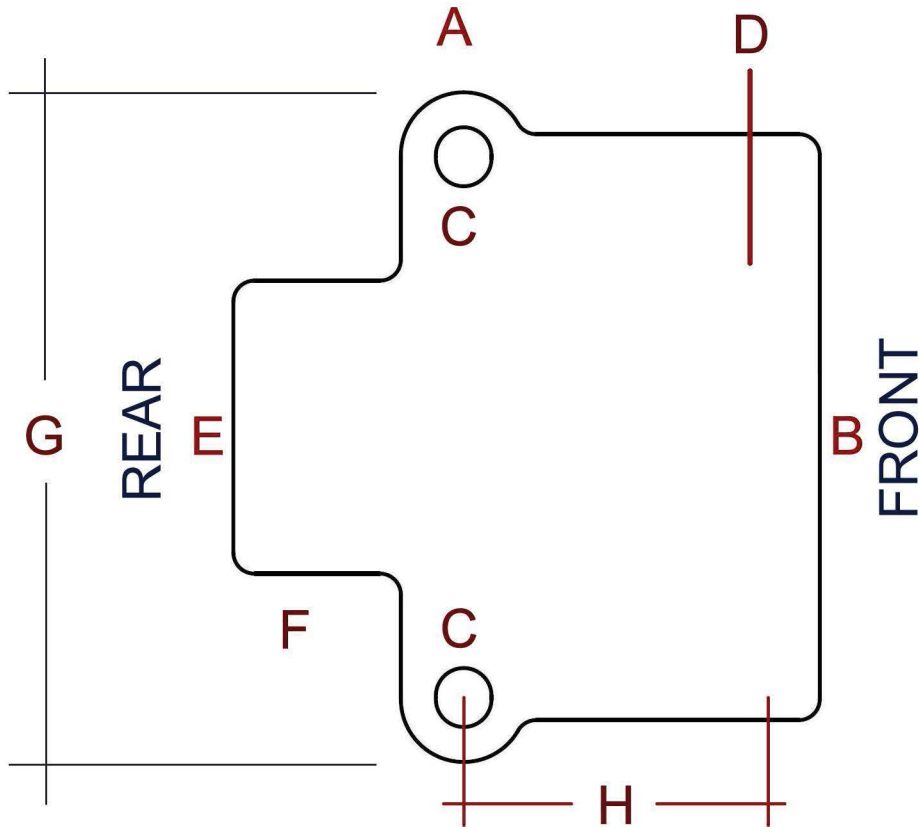


## Dimensions - Stop-Tail Style Stetsbar

This document shows a top down view of the Stop-Tail style baseplate and provides measurements for all of the critical dimensions that may be needed to ensure the unit will fit correctly to the guitar.

For more information please contact your regional Stetsbar support center.



- A. Baseplate length overall - 3 1/2 inch or 89 mm.
- B. Baseplate width at front - 3 1/2 inch or 89 mm.
- C. Mount points for baseplate. To center of hole - from front 2 inch or 51 mm, spacing - 3 1/4 inch or 82.5 mm.
- D. Scale length from front - 5/16 inch or 8 mm.
- E. Baseplate width at rear - 1 3/4 inch or 44.5 mm.
- F. Baseplate length at rear - 1 inch or 25.5 mm.
- G. Baseplate maximum width - 4 inch or 101.5 mm.
- H. Bridge (top E) to stop tail post center 'perfect' length - 1 11/16 inch or 43 mm. Saddle adjustments can compensate +/-

Stetsbar bridge height measured at the top E saddle should be:

Minimum 11/16 inch 17.5mm

Maximum 13/16 inch or 20.5mm