

## ERSATZTEILE

Pièces de rechange - Onderdelen - Reservedele - Varaosat - Pezzi di ricambio  
Reservedelen - Peças - Reservdelar - Piezas de recambio

## SPARE PARTS

## STROMLAUFPLÄNE

Schéma de connexions - Stroomschema - Kredslobsdiagrammer - Kytkentäkaavio  
Aansluitschema - Schema elettrico - Koplingskjema - Esquema electrico - Elschema  
Esquema eléctrico

## CIRCUIT DIAGRAMS

### EURO-MODEL 2000

 SWISS QUALITY

**EHF 50**

**EHF 150**

**EHF 300**

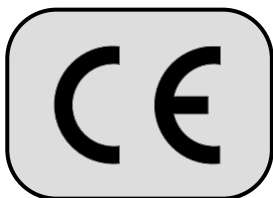
**EHF 500**

**EMFE 50**

**EMFE 150**

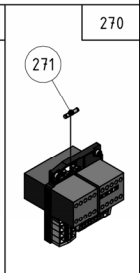
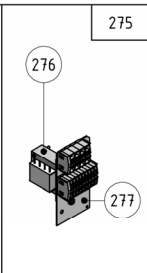
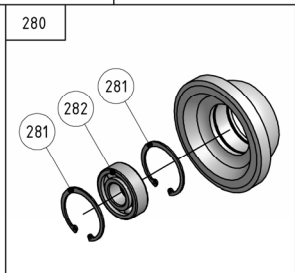
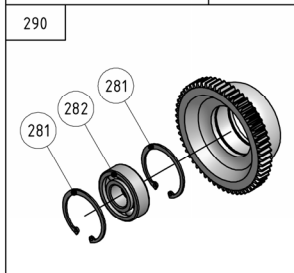
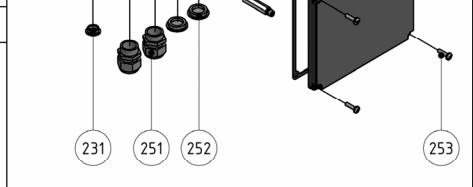
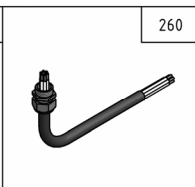
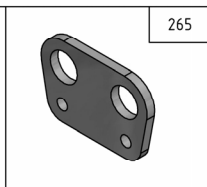
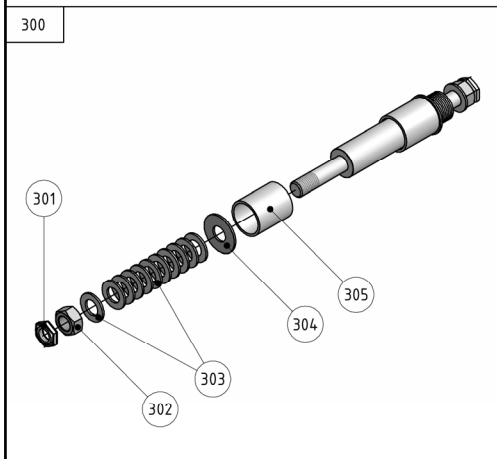
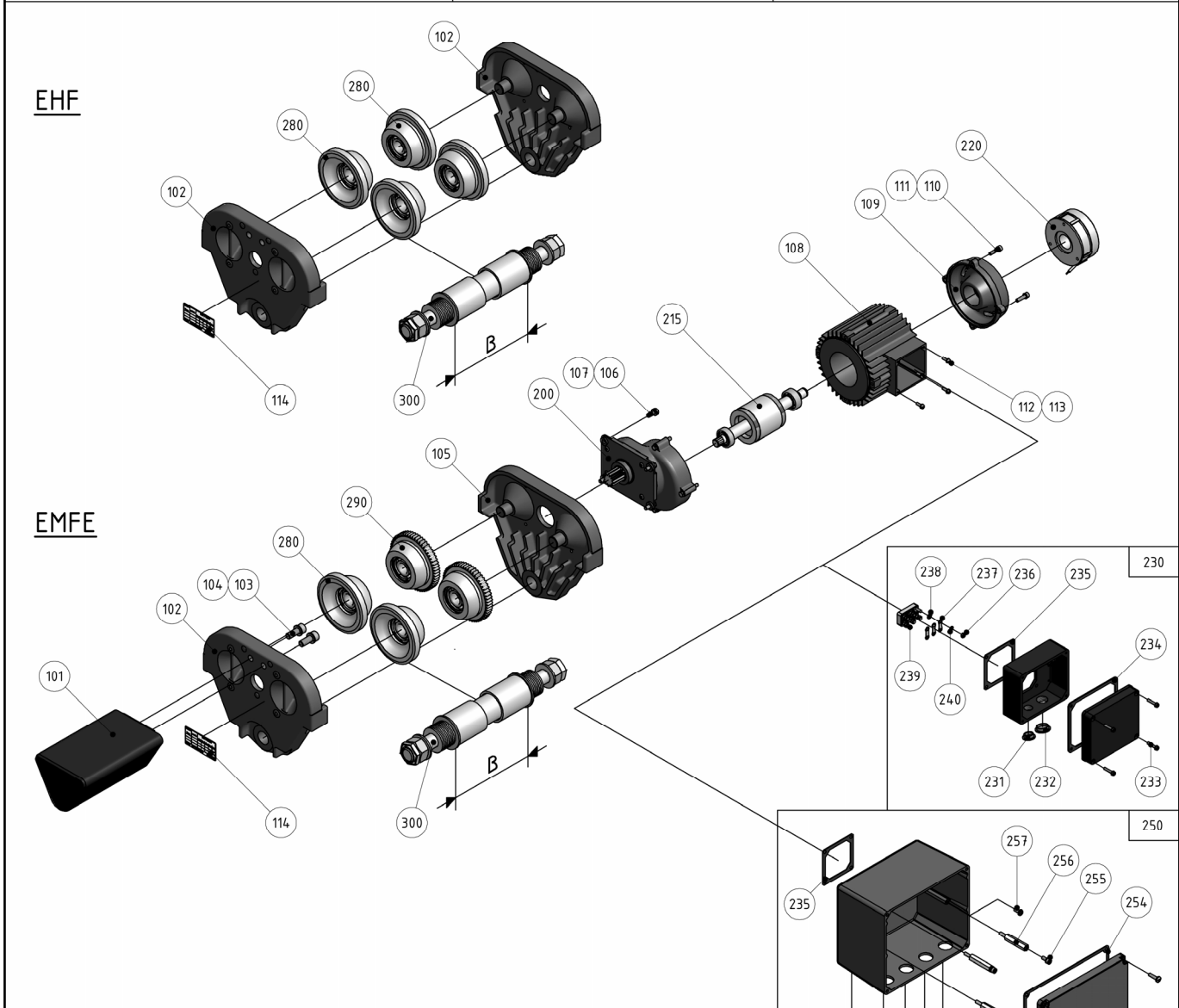
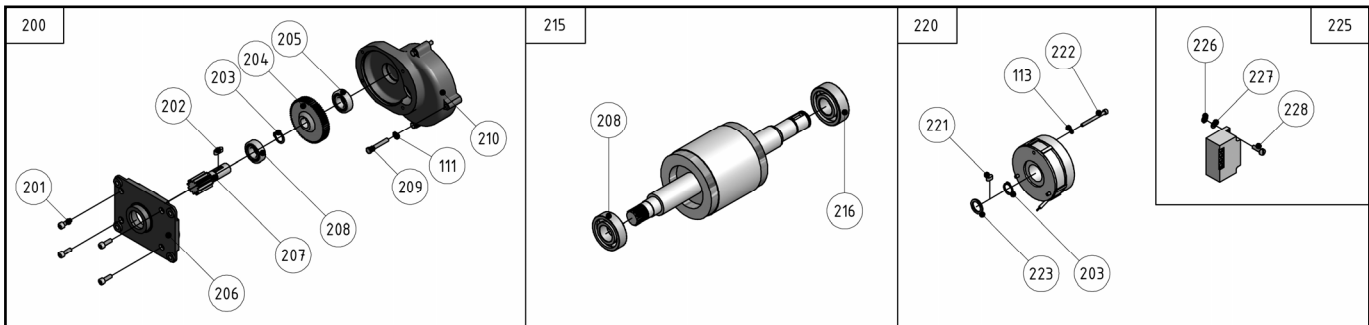
**EMFE 300**

**EMFE 500**



M A D E I N S W I T Z E R L A N D





		EHF 50	EHF 150	EHF 300	EHF 500
102	215 x 167 x 41	9247.1000.1			
	250 x 203 x 51		9248.1000.1		
	311 x 217 x 62			9249.1000.1	9249.1000.1
114	70 x 35	9247.1012.4	9248.1013.4	9249.1004.4	9249.1006.4
265	210 x 140 x 15			9408.3020.3	9408.3020.3
280	ø87.6 x 29.5	9247.1001.3			
	ø103.5 x 40		9248.1001.3		
	ø133 x 48			9249.1001.3	9249.1001.3
281	135 x 1.5	0031.1116			
	147 x 1.75		0031.1122		
	162 x 2			0031.1127	0031.1127
282	6202-2Z, 15/35 x 11	0038.1124			
	6204-2Z, 20/47 x 14		0038.1126		
	6206-2Z, 30/62 x 16			0038.1128	0038.1128
300	50-99 mm, B=30	9247.1002.3			
	100-149 mm, B=82	9247.1003.3			
	150-199 mm, B=132	9247.1004.3			
	200-240 mm, B=178	9247.1005.3			
	76-139 mm, B=36		9248.1002.3		
	140-199 mm, B=106		9248.1003.3		
	200-259 mm, B=166		9248.1004.3		
	260-320 mm, B=226		9248.1005.3		
	56-119 mm, B=36			9248.1002.3	9248.1002.3
	120-179 mm, B=106			9248.1003.3	9248.1003.3
	180-240 mm, B=166			9248.1004.3	9248.1004.3
	240-300 mm, B=226			9248.1005.3	9248.1005.3

		EHF 50	EHF 150	EHF 300	EHF 500
301	M16 VZ	9031.1576			
	M24 VZ		9031.1577	9031.1577	9031.1577
302	M16 VZ	9031.0627			
	M24 VZ		9031.0628	9031.0628	9031.0628
303	ø17/30 x 3 VZ	9031.3219			
	ø24.5/44 x 3 VZ		9248.1008.4	9248.1008.4	9248.1008.4
304	ø17/40 x 1.6 VZ	9031.3218			
	ø25/60 x 3 VZ		9031.3220	9031.3220	9031.3220
305	ø45/3 x 26, 100-149	9247.1006.4			
	ø45/3 x 51, 150-199	9247.1009.4			
	ø45/3 x 74, 200-240	9247.1010.4			
	ø55/3.5 x 35, 140-199		9248.1006.4		
	ø55/3.5 x 65, 200-259		9248.1010.4		
	ø55/3.5 x 95, 260-320		9248.1011.4		
	ø55/3.5 x 35, 120-179			9248.1006.4	9248.1006.4
	ø55/3.5 x 65, 180-240			9248.1010.4	9248.1010.4
	ø55/3.5 x 95, 240-300			9248.1011.4	9248.1011.4

		EMFE 50	EMFE 150	EMFE 300	EMFE 500
101	114 x 86 x 185	9243.2743.3	9243.2743.3	9243.2743.3	
102	215 x 167 x 41	9247.1000.1			
	250 x 203 x 51		9248.1000.1		
	311 x 217 x 62			9249.1000.1	9249.1000.1
103	M10 x 25 VZ	9030.0295	9030.0295	9030.0295	
104	M10 VZ	9031.3801	9031.3801	9031.3801	
105	215 x 167 x 41	9247.2000.3			
	250 x 203 x 51		9248.2000.2		
	311 x 217 x 62			9249.2000.2	9249.2000.2
106	M6 x 16 VZ	9030.5262	9030.5262		
	M6 x 20 VZ			9030.5263	9030.5263
107	M6 VZ	9031.3903	9031.3903	9031.3903	9031.3903
108	L=50, 220/380/420V, -N	9245.1100.4	9245.1100.4	9245.1100.4	9245.1100.4
	L=65, 220/240V, -NF/-SF	9245.1300.4	9245.1300.4	9245.1300.4	9245.1300.4
	L=65, 380/420V, -NF/-SF	9245.1301.4	9245.1301.4	9245.1301.4	9245.1301.4
	ø116 x 32.5	9247.2006.3	9247.2006.3	9247.2006.3	9247.2006.3
110	M5 x 20 VZ	9030.0263	9030.0263	9030.0263	9030.0263
111	M5 VZ	9031.3902	9031.3902	9031.3902	9031.3902
112	M4 x 12 VZ	0030.3451	0030.3451	0030.3451	0030.3451
113	M4 VZ	9031.3901	9031.3901	9031.3901	9031.3901
114	70 x 35	9247.1012.4	9248.1013.4	9249.1004.4	9249.1006.4
200	162 x 135 x 93, -N/-NF	9247.2020.3	9247.2020.3	9247.2020.3	9247.2020.3
	162 x 135 x 93, -SF	9247.2019.3	9247.2019.3	9247.2019.3	9247.2019.3
201	M5 x 16 VZ	9030.0262	9030.0262	9030.0262	9030.0262
202	5 x 5 x 15	9036.0001	9036.0001	9036.0001	9036.0001
203	A 15 x 1	0031.1009	0031.1009	0031.1009	0031.1009
204	ø74 x 18, -N/-NF	9243.2572.4	9243.2572.4	9243.2572.4	9243.2572.4
	ø67 x 18, -SF	9247.2010.4	9247.2010.4	9247.2010.4	9247.2010.4
205	6002, 15/32 x 9	0038.1033	0038.1033	0038.1033	0038.1033
206	120 x 95 x 21	9247.2005.3	9247.2005.3	9247.2005.3	9247.2005.3
207	ø24.5 x 67	9243.2571.4	9243.2571.4	9243.2571.4	9243.2571.4
208	6002-LLU, 15/32 x 9	0038.1075	0038.1075	0038.1075	0038.1075
209	M5 x 35 VZ	9030.5257	9030.5257	9030.5257	9030.5257
210	162 x 135 x 48	9247.2004.3	9247.2004.3	9247.2004.3	9247.2004.3
215	1-1 ø61.4 x 50 z=12, -N	9247.2012.3	9247.2012.3	9247.2012.3	9247.2012.3
	2-1 ø69.4 x 65 z=12, -NF	9247.2014.3	9247.2014.3	9247.2014.3	9247.2014.3
	2-1 ø69.4 x 65 z=18, -SF	9247.2015.3	9247.2015.3	9247.2015.3	9247.2015.3
216	6202-2Z, 15/35 x 11	0038.1124	0038.1124	0038.1124	0038.1124
220	100-150V 50/60Hz	9245.4013.4	9245.4013.4	9245.4013.4	9245.4013.4
	151-240V 50/60Hz	9245.4012.4	9245.4012.4	9245.4012.4	9245.4012.4
	241-300V 50/60Hz	9245.4014.4	9245.4014.4	9245.4014.4	9245.4014.4
	301-500V 50/60Hz	9245.4011.4	9245.4011.4	9245.4011.4	9245.4011.4
	501-690V 50/60Hz	9245.4017.4	9245.4017.4	9245.4017.4	9245.4017.4
221	5 x 5 x 10	0036.0010	0036.0010	0036.0010	0036.0010
222	M4 x 45 VZ	0030.9287	0030.9287	0030.9287	0030.9287
223	ø16/22 x 2 VZ	9031.3205	9031.3205	9031.3205	9031.3205
225	PMB 400, 100-240V	9245.4016.4	9245.4016.4	9245.4016.4	9245.4016.4
	PME 500, 241-500V	9245.4015.4	9245.4015.4	9245.4015.4	9245.4015.4
	PME 600, 501-690V	9245.4018.4	9245.4018.4	9245.4018.4	9245.4018.4
226	M3 VZ	0031.0034	0031.0034	0031.0034	0031.0034
227	M3 VZ	9031.3900	9031.3900	9031.3900	9031.3900
228	M3 x 10 VZ	0030.3434	0030.3434	0030.3434	0030.3434
230	112 x 98 x 63	9243.2736.4	9243.2736.4	9243.2736.4	9243.2736.4
231	M16 x 1.5	9055.3511	9055.3511	9055.3511	9055.3511
232	M20 x 1.5	9055.3512	9055.3512	9055.3512	9055.3512
233	M4 x 20 VZ	9030.3256	9030.3256	9030.3256	9030.3256
234	112 x 98 x 2	9038.4004	9038.4004	9038.4004	9038.4004
235	70 x 70 x 1	9243.2599.4	9243.2599.4	9243.2599.4	9243.2599.4
236	M4 MS	0031.0095	0031.0095	0031.0095	0031.0095
237	22 x 7 x 1	9058.0007	9058.0007	9058.0007	9058.0007
238	ø4.3/9 x 0.8 MS	0031.0615	0031.0615	0031.0615	0031.0615
239	40 x 25	9058.0006	9058.0006	9058.0006	9058.0006
240	M4 VZ	9031.3901	9031.3901	9031.3901	9031.3901
250	195 x 165 x 130	9243.2737.4	9243.2737.4	9243.2737.4	9243.2737.4
251	M25 x 1.5	9055.3103	9055.3103	9055.3103	9055.3103
252	M25 x 1.5	9055.3513	9055.3513	9055.3513	9055.3513

		EMFE 50	EMFE 150	EMFE 300	EMFE 500
253	M5 x 20 VZ	9030.8013	9030.8013	9030.8013	9030.8013
254	195 x 165 x 1	9243.2711.3	9243.2711.3	9243.2711.3	9243.2711.3
255	M5 x 12 VZ	9030.0261	9030.0261	9030.0261	9030.0261
256	M5 x 45	9058.0605	9058.0605	9058.0605	9058.0605
257	M5 x 10 VZ	9030.8014	9030.8014	9030.8014	9030.8014
260	8 x 1 mm <sup>2</sup> x 1350	9243.2728.4	9243.2728.4	9243.2728.4	9243.2728.4
	8 x 1 mm <sup>2</sup> x 1200				9249.2005.4
265	210 x 140 x 15			9408.3020.3	9408.3020.3
270	1-1 NA 42V	9402.1200.2	9402.1200.2	9402.1200.2	9402.1200.2
	2-1 NA 42V	9402.1300.2	9402.1300.2	9402.1300.2	9402.1300.2
271	1.6A	9052.0012	9052.0012	9052.0012	9052.0012
275	220/230/42V 50/60Hz	9245.3801.3	9245.3801.3	9245.3801.3	9245.3801.3
	380/420/42V 50/60Hz	9245.3800.3	9245.3800.3	9245.3800.3	9245.3800.3
276	220/230/42V 50/60Hz	9056.4500.4	9056.4500.4	9056.4500.4	9056.4500.4
	380/420/42V 50/60Hz	9056.4501.4	9056.4501.4	9056.4501.4	9056.4501.4
277	125 x 65	9243.2751.4	9243.2751.4	9243.2751.4	9243.2751.4
280	ø87.6 x 29.5	9247.1001.3			
	ø103.5 x 40		9248.1001.3		
	ø133 x 48			9249.1001.3	9249.1001.3
281	135 x 1.5	0031.1116			
	147 x 1.75		0031.1122		
	162 x 2			0031.1127	0031.1127
282	6202-2Z, 15/35 x 11	0038.1124			
	6204-2Z, 20/47 x 14		0038.1126		
	6206-2Z, 30/62 x 16			0038.1128	0038.1128
290	ø87.6 x 29.5	9247.2001.3			
	ø103.5 x 40		9248.2001.3		
	ø133 x 48			9249.2001.3	9249.2001.3
300	50-99 mm, B=30	9247.1002.3			
	100-149 mm, B=82	9247.1003.3			
	150-199 mm, B=132	9247.1004.3			
	200-240 mm, B=178	9247.1005.3			
	76-139 mm, B=36		9248.1002.3		
	140-199 mm, B=106		9248.1003.3		
	200-259 mm, B=166		9248.1004.3		
	260-320 mm, B=226		9248.1005.3		
	56-119 mm, B=36			9248.1002.3	9248.1002.3
	120-179 mm, B=106			9248.1003.3	9248.1003.3
	180-240 mm, B=166			9248.1004.3	9248.1004.3
	240-300 mm, B=226			9248.1005.3	9248.1005.3
301	M16 VZ	9031.1576			
	M24 VZ		9031.1577	9031.1577	9031.1577
302	M16 VZ	9031.0627			
	M24 VZ		9031.0628	9031.0628	9031.0628
303	ø17/30 x 3 VZ	9031.3219			
	ø24.5/44 x 3 VZ		9248.1008.4	9248.1008.4	9248.1008.4
304	ø17/40 x 1.6 VZ	9031.3218			
	ø25/60 x 3 VZ		9031.3220	9031.3220	9031.3220
305	ø45/3 x 26, 100-149	9247.1006.4			
	ø45/3 x 51, 150-199	9247.1009.4			
	ø45/3 x 74, 200-240	9247.1010.4			
	ø55/3.5 x 35, 140-199		9248.1006.4		
	ø55/3.5 x 65, 200-259		9248.1010.4		
	ø55/3.5 x 95, 260-320		9248.1011.4		
	ø55/3.5 x 35, 120-179			9248.1006.4	9248.1006.4
	ø55/3.5 x 65, 180-240			9248.1010.4	

**Motorfahrwerke**  
**Electric travel trolleys**  
**Chariots électriques**

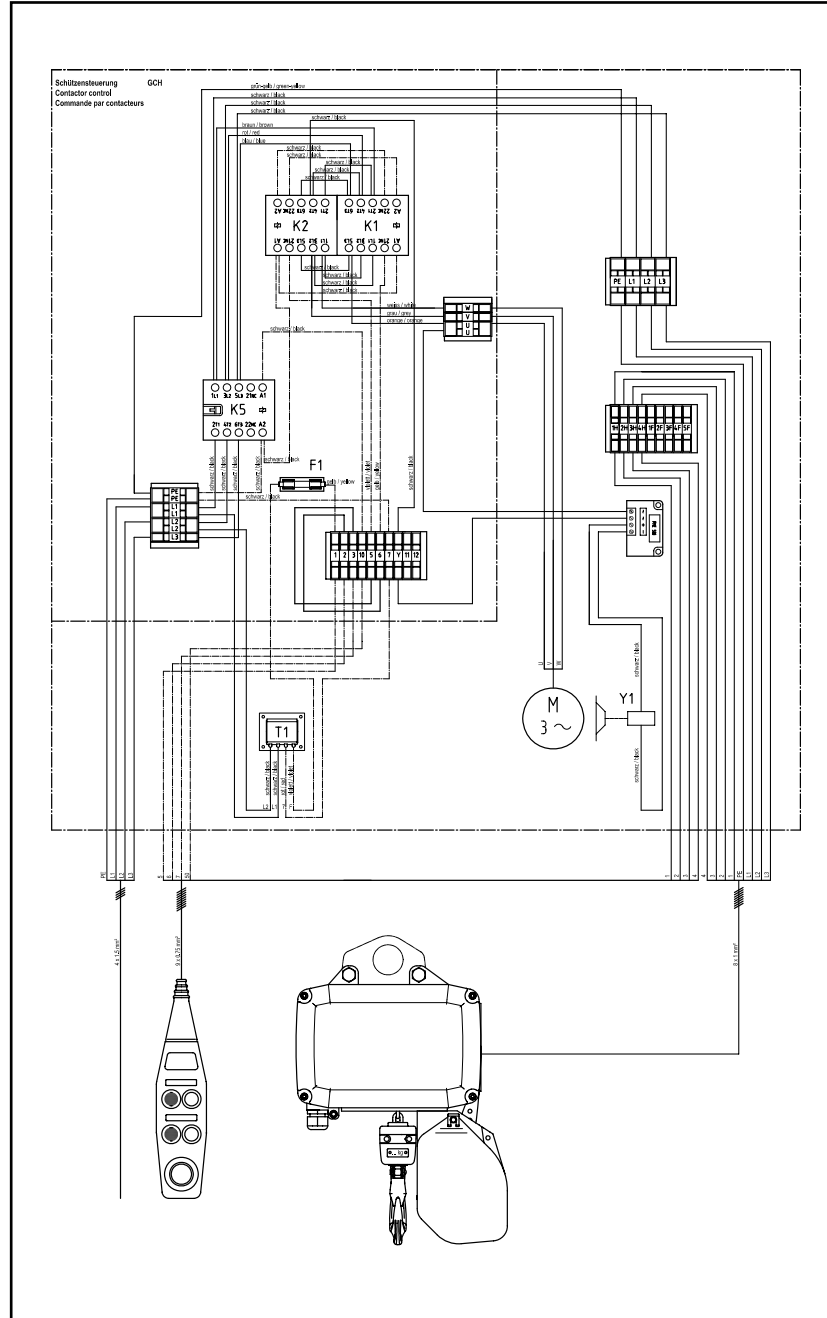
Schützensteuerung  
 Contactor control  
 Commande par contacteurs

**3 Ph 9243.9502.2**  
 1 Geschwindigkeit mit Not-Aus  
 1 speed with emergency stop  
 1 vitesse avec marche-arrêt

**3 Ph 9243.9503.2**  
 2 Geschwindigkeiten mit Not-Aus  
 2 speeds with emergency stop  
 2 vitesses avec marche-arrêt

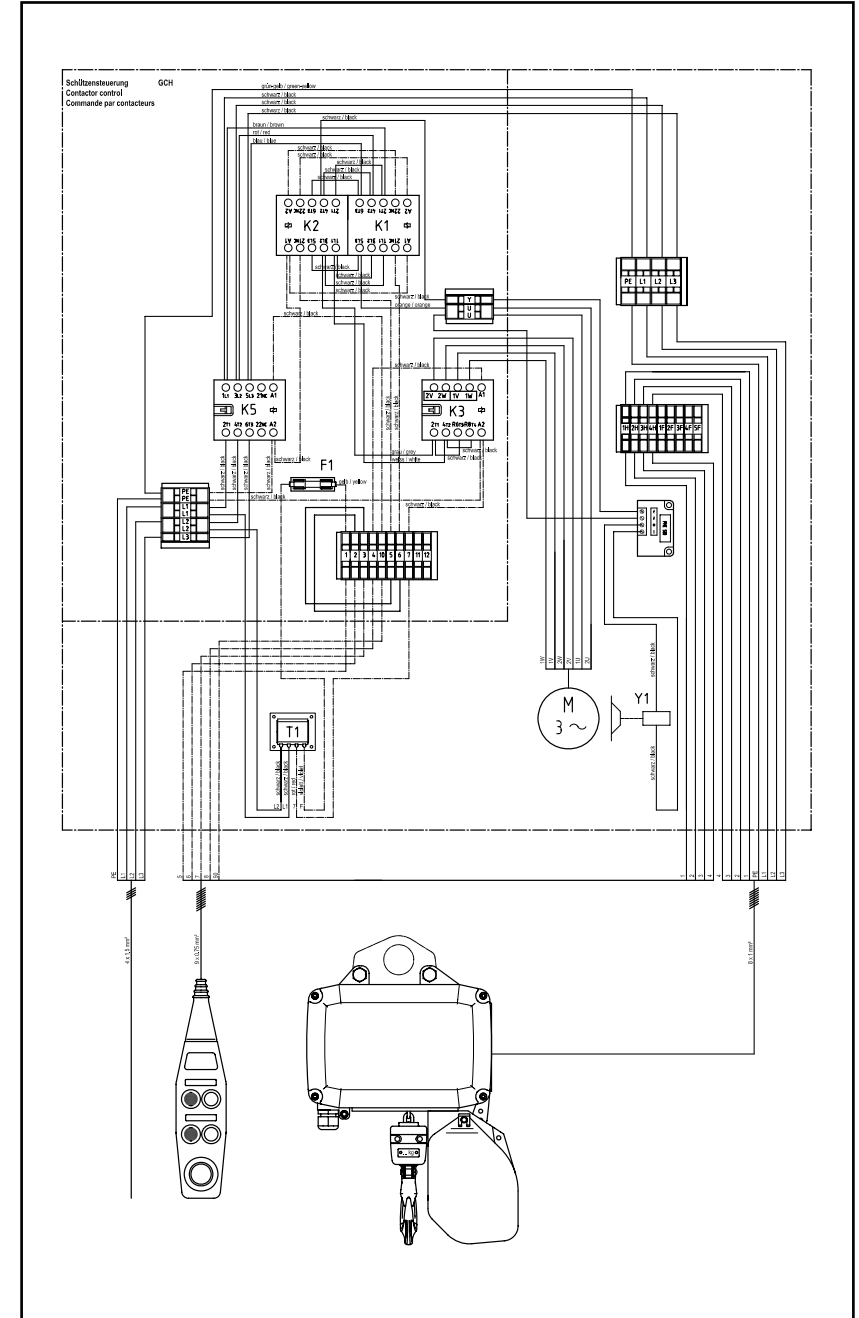
9243.9502.2

3 Ph



9243.9503.2

3 Ph



F	Steuersicherung Control fuse Fusible de commande
K	Schütz Contactor Contacteur
L	Zuleitung Power supply Alimentation électrique
PE	Erdung Earth Mise à la terre
T	Transformator Transformator Transformateur
U, V, W	Motor Motor Moteur
Y	Bremse Brake Frein