

GIS ELECTRIC CHAIN HOIST TYPE LP/LPM

SECOND BRAKE

Advanced brake design, virtually maintenance free, each hoist can be equipped with a second independent brake that fits inside the existing cover- easily adaptable to BGV D8PLUS

In a few simple steps, it is mounted on the existing drive shaft just after the first brake



NOISE LEVELS

LP electric chain hoists are equipped with a 3-stage self-contained gearbox. The helical gearing with geometric optimisation ensures extremely quiet running.

Thanks to the protection provided by the cover and housing the sound pressure level is only 65 dB. This makes it one of the quietest motors available.

WEATHERPROOF

The hoist has protection class IP65. It is dust proof and protected against water jets, perfectly suitable for outside use.

Controls are in an enclosed aluminium panel.



LIFTING CHAIN

Case hardened with manganese phosphate protection profile (square) steel chain provides up to 15 % more lifting capacity compared to round steel chain

The higher cross-sectional area reduces wear and increases the life of the chain

Manganese phosphating improves corrosion resistance and has better dry running properties

SERVICE & MAINTENANCE

The LP range is simple in construction and has low weight and a higher lifting capacity. It is designed to be low wear with a long service life. Repair and maintenance can be done quickly and efficiently. The easy accessibility of parts make this hoist economical to maintain.

The LP has a modular structure, the hoist can be quickly stripped and reassembled thanks to the polygonal connections. This saves time and cost which both technicians and customers appreciate.

LOADGUARD ELECTRIC CHAIN HOIST TYPE LG/LCH

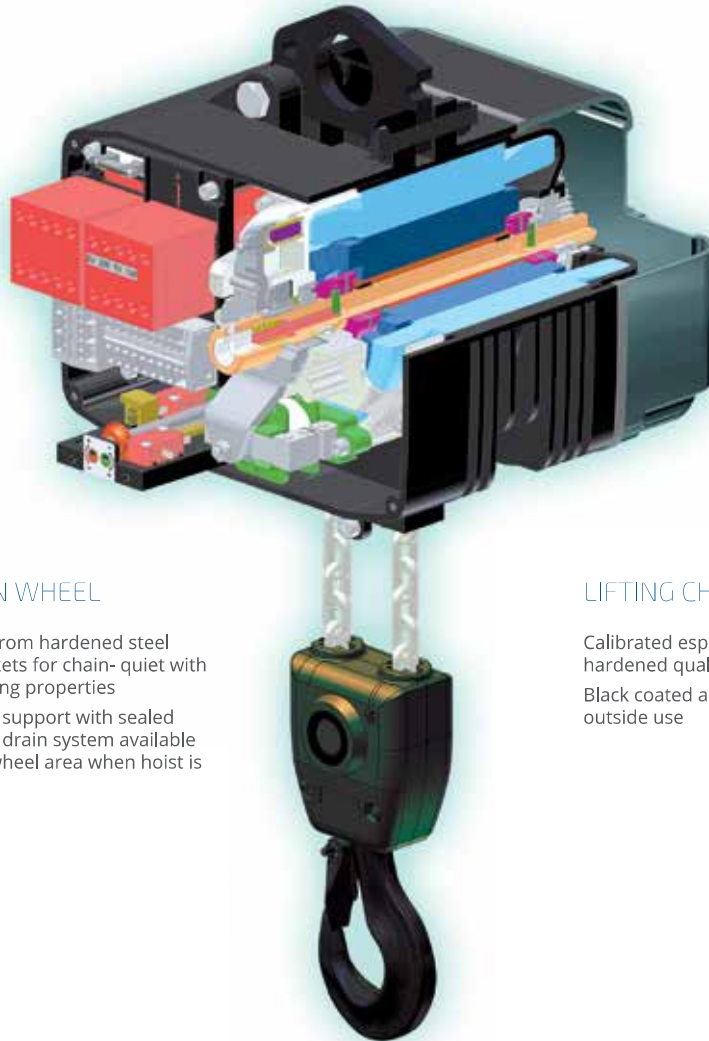
BRAKE

New advanced brake design, virtually maintenance free
Maximum safety - the brake is mounted after the slipping clutch; clutch wear will not affect the integrity of the load
Double brake assembly available which can be independently checked for correct operation - hoist is easily adaptable to BGV D8PLUS



CONTROL SYSTEM

Simple Technology (no electronics)
Reliable construction using proven components
Low voltage 42V control system
(110V or 24V available on request)



LOAD CHAIN WHEEL

Manufactured from hardened steel with 5 or 6 pockets for chain- quiet with improved running properties
Double bearing support with sealed bearings, water drain system available for load chain wheel area when hoist is inverted



LIFTING CHAIN

Calibrated especially for the hoist, surface case hardened quality class DAT (8SS) to FEM 9.671
Black coated as standard or zinc plated for outside use



HOUSING

Latest aluminium casting technology, manufactured by an automotive industry supplier, maximum solidity
Extreme working conditions- the body has cast cooling fins to dissipate heat
Easy change from 1-fall to 2-fall operation - no need to dismantle the hoist
Aluminium end covers- with seals to prevent water penetration
Options for better sealing for extreme Conditions



SLIPPING CLUTCH

Prevents overloading, simple and precise adjustment at workshop level; no exterior adjustment possible
Clutch is located in the rotor shaft- outside the drive chain; clutch wear will not affect the integrity of the load
Maintenance free and highly resistant to wear, easy servicing thanks to comfortable access
Clutch parts available- no need to buy complete assemblies



ENTERTAINMENT CHAIN HOISTS FOR GENERAL RIGGING PURPOSES TO D8 REGULATIONS

THE REGULATIONS

Standard hoists that meet current international regulations for rigging hoists to D8 and FEM 9.751 standards.

GENERAL FEATURES

- » Modern, quiet, reliable and proven design, manufacture and assembly mean long life and competitive pricing
- » Lightweight
- » Lifting capacities from 125kg to 5000kg
- » Direct control or low voltage control - with upper/lower geared electrical limit switches
- » Contactor control - (no electronics)
- » Clutch overload device mounted outside the drive train; In the event of clutch problems, the load is not compromised
- » Can be used upright- motor up or climbing - motor down applications
- » Aluminium body - black electrophoretic coated with zinc plated or black chain
- » Eye body suspension, hook suspension and locking chain hooks on request
- » Available for 400V, 3Ph, or 220V, 1Ph power, others on Request

FEATURES - NEW LP/LPM HOIST

- » A new hoist from LTM
- » Designed for a longer life with heavier duty operation, this can give either a higher lifting capacity (LP500= 800kg) or a normal lifting capacity (LP500= 500kg) for higher duty and longer lifetime hours
- » NEW Profile (square) steel lifting chain carries heavier loads with lower wear, black phosphate protection with high corrosion resistance and better dry running
- » IP65 protection class- ideal for outside use, the moisture sensitive components are housed separately
- » Polygon connections on shafts and hubs - easier maintenance
- » 5 pocket load chain wheel gives smooth running and quieter operation
- » Aluminium body - the body is black electrophoretic coated
- » Opening eye suspension- ideal for installations
- » Simple, reliable, easy to use and maintain

OPTIONS

- » Extra features allow the hoist to conform to higher safety standards when ordered or later modified
- » These options include second brake, standard and ultimate limit switches, load sensing suspensions and encoders for positional feedback
- » Hoists for single phase power
- » Locking hooks
- » Special paint finishes
- » Flight cases



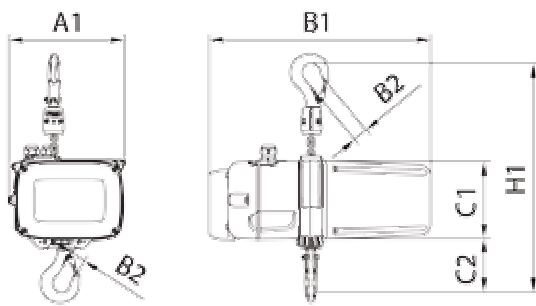
**FOR WHEN YOU NEED TO LIFT, LOWER, POSITION OR SUSPEND
A LOAD IN ENTERTAINMENT RIGGING APPLICATIONS**

ENTERTAINMENT CHAIN HOISTS FOR GENERAL RIGGING PURPOSES TO D8 REGULATIONS

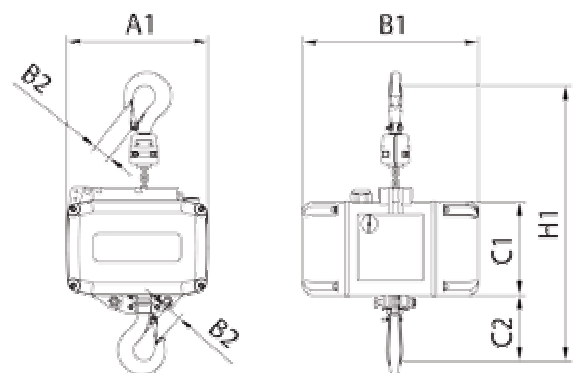
SPECIFICATIONS

HOIST TYPE	MAXIMUM LIFTING CAPACITY	NOMINAL LIFTING SPEED	NO. OF CHAIN FALLS	MOTOR POWER	POWER CONSUMPTION LOADED	CHAIN DIMENSIONS	SOUND PRESSURE LEVEL IN HALL AT 1M DISTANCE	CHAIN SAFETY FACTORZ	PROTECTION CLASS	WEIGHT HOIST ONLY	WEIGHT PER METRE LIFT
	(kg)	(m/min)		(kW)	(A)	(mm)	dB			(kg)	(kg)
LPM250/1NL. D8	320	4	1	0.25	1.8	3.75 x 10.75	65	6.4	IP65	12	0.34
LPM250/1SL. D8	125	8	1	0.25	1.8	3.75 x 10.75	65	16.1	IP65	12	0.34
LP500/1NL. D8	800	4	1	0.55	1.8	5.25 x 15	65	5.1	IP65	22	0.69
LP500/1N. D8	800	8	1	0.55	1.8	5.25 x 15	65	5.1	IP65	22	0.69
LP500/1NF. D8	800	8/ 2	1	0.72/ 0.18	2.8/ 1.7	5.25 x 15	65	5.1	IP65	22	0.69
LP500/2N. D8	1250	4	2	0.72	2.8	5.25 x 15	65	5.1	IP65	22	0.69
LP500/1NF. D8	1250	8/ 2	2	0.72/ 0.18	2.8/ 1.7	5.25 x 15	65	5.1	IP65	22	0.69
LG10/1/4	1000	4	1	0.72	3.5	7 x 22	72	6.2	IP55	37	1.04
LG10/1/8	1000	8	1	1.45	4.3	7 x 22	72	6.2	IP55	37	1.04
LG10/1/82	1000	8/ 2	1	1.45/ 0.36	4.3/ 3.8	7 x 22	72	6.2	IP55	38	1.04
LG10/1/164	500	16/ 4	1	5.8/ 2.6	6.5/ 5.8	7 x 22	72	12.55	IP55	38	1.04
LG10/2/4	2000	4	2	1.45	4.3	7 x 22	72	6.2	IP55	39	2.08
LG10/2/41	2000	4/ 1	2	4.0/ 2.8	4.3/ 3.8	7 x 22	72	6.2	IP55	39	2.08
LG10/2/82	2000	8/ 2	2	5.8/ 2.6	6.5/ 5.8	7 x 22	72	6.2	IP55	40	2.08
LG16/1/4	1600	4	1	1.22	4.5	9 x 27	75	6.4	IP55	53	1.75
LG16/1/8	1600	8	1	2.44	6.8	9 x 27	75	6.4	IP55	53	1.75
LG16/1/82	1600	8/ 2	1	2.44/ 0.61	7.3/ 6.2	9 x 27	75	6.4	IP55	55	1.75
LG16/2/4	3200	4	2	2.44	6.8	9 x 27	75	6.4	IP55	57.5	3.5
LG16/2/41	3200	4/ 1	2	2.44/ 0.61	7.3/ 6.2	9 x 27	75	6.4	IP55	57.5	3.5
LG20/1/4	2000	4	1	1.53	4.8	10 x 28	75	6.4	IP55	53	2.25
LG20/1/8	2000	8	1	3.06	7.3	10 x 28	75	6.4	IP55	53	2.25
LG20/1/82	2000	8/ 2	1	3.06/ 0.77	8.5/ 6.6	10 x 28	75	6.4	IP55	55	2.25
LG20/2/4	4000	4	2	3.06	7.3	10 x 28	75	6.4	IP55	57.5	4.5
LG20/2/41	4000	4/ 1	2	3.06/ 0.77	8.5/ 6.6	10 x 28	75	6.4	IP55	57.5	4.5
LG250/1/3.2	2500	3.2	1	1.53	4.8	10 x 28	75	5.1	IP55	53	2.25
LG250/1/6.4	2500	6.4	1	3.06	7.3	10 x 28	75	5.1	IP55	53	2.25
LG250/1/6.41.6	2500	6.4/ 1.6	1	3.06/ 0.77	8.5/ 6.6	10 x 28	75	5.1	IP55	55	2.25
LG250/2/1.6	5000	1.6	2	1.53	4.8	10 x 28	75	5.1	IP55	57.5	4.5
LG250/2/3.2	5000	3.2/ 0.8	2	3.06/ 0.77	8.5/ 6.6	10 x 28	75	5.1	IP55	57.5	4.5

LPM / LP



LCH / LG



DIMENSIONS

TYPE	NUMBER OF FALLS	A1	B1	B2	C1	C2
LPM250 / D8	1	206	368	20	134	95
LP500 / D8	1	293	414	24	162	133
LG10 / D8	1	323	369	32	214	139
LG16 / D8	1	347	389	37	230	164
LG20 / D8	1	347	389	37	230	164
LG250 / D8	1	347	389	37	230	164

Dimensions of 2 fall hoists on demand
Drawings available on request

ENTERTAINMENT CHAIN HOISTS FOR GENERAL RIGGING PURPOSES TO D8 REGULATIONS

THE REGULATIONS

High integrity hoists prepared for incorporation into D8PLUS hoisting Systems. This refers to a German code of practice for hoists with the capability of holding loads at rest above people without using a secondary safety component

These hoists allow the following
(when people are below the load):
Load holding when loads are static

The hoists do not allow
(when people are below the load):
Assembly/disassembly during set up
Staging processes involving movement

D8PLUS REQUIRES

- » Second brake
- » De-rating of the lifting capacity to give an increased safety factor of at least 8:1 safety coefficient of the load bearing material, according to DIN56950-1, 2012
- » Clutch overload device is mounted outside the drive train; In the event of clutch problems, the load is not compromised

FEATURES - GENERAL

- » Modern, quiet, reliable and proven design, manufacture and assembly mean long life and competitive pricing
- » Lightweight
- » Lifting capacities from 125 to 3200kg
- » 2 independent spring loaded brakes
- » Direct control or low voltage control - with upper/lower geared electrical limit switches
- » Contactor control - no electronics
- » Clutch overload device mounted outside the drive train; in the event of clutch problems, the load is not compromised
- » Can be used upright - motor up or climbing - motor down
- » Aluminium body - black electrophoretic coated with zinc plated or black chain
- » Eye body suspension is standard, hook suspension and locking chain hooks on request
- » Available for 400V, 3Ph, or 220V, 1Ph power, others on request

FEATURES - NEW LP/LPM HOIST

- » A new hoist from LTM
- » Designed for a higher lifting capacity of 500kg at BGV D8PLUS with higher duty and longer lifetime hours
- » IP65 Protection class - ideal for outside use, the moisture sensitive components are housed separately and sealed
- » NEW Profile (square) steel lifting chain carries heavier loads with lower wear, black phosphate protection with high corrosion resistance and better dry running
- » Polygon connections on shafts and hubs - easier maintenance
- » Opening eye suspension- ideal for installations
- » Simple, reliable, easy to use and maintain

OPTIONS



FOR WHEN YOU NEED TO LIFT, LOWER, POSITION OR SUSPEND A LOAD IN ENTERTAINMENT RIGGING APPLICATIONS

- » Extra features allow the hoist to conform to higher safety standards with order or when later modified
- » These options include standard and ultimate limit switches, load sensing suspensions or encoders for positional feedback
- » Hoists for single phase power
- » Locking hooks
- » Flight cases
- » Special paint finishes

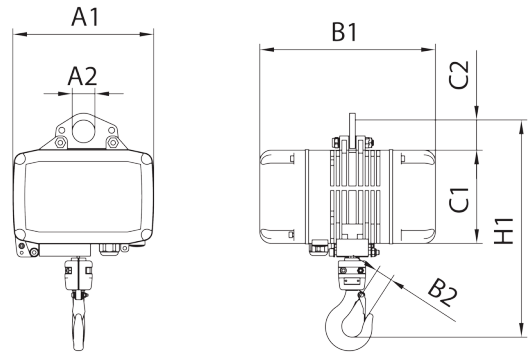
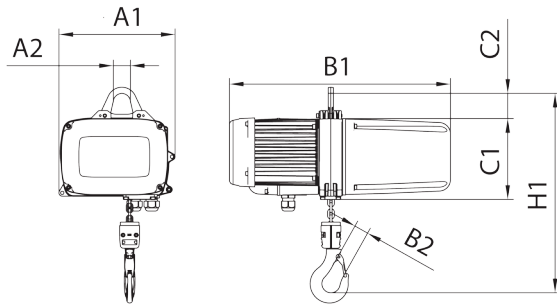
ENTERTAINMENT CHAIN HOISTS FOR GENERAL RIGGING PURPOSES TO D8 REGULATIONS

SPECIFICATIONS

HOIST TYPE	LIFTING CAPACITY	NOMINAL LIFTING SPEED	NO. OF CHAIN FALLS	MOTOR POWER	POWER CONSUMPTION LOADED	CHAIN DIMENSIONS	SOUND PRESSURE LEVEL IN HALL AT 1M DISTANCE	CHAIN SAFETY FACTOR	PROTECTION CLASS	WEIGHT HOIST ONLY	WEIGHT PER METRE LIFT
	(kg)	(m/min)		(kW)	(A)	(mm)	dB			(kg)	(kg)
LPM250/1NL. D8PLUS	250	4	1	0.25	1.8	3.75 x 10.75	65	8	IP65	13	0.34
LPM250/1SL. D8PLUS	125	8	1	0.25	1.8	3.75 x 10.75	65	16.1	IP65	13	0.34
LP500/1NL. D8PLUS	500	4	1	0.55	1.8	5.25 x 15	65	8	IP65	23	0.69
LP500/1N. D8PLUS	500	8	1	0.55	1.8	5.25 x 15	65	8	IP65	23	0.69
LP500/1NF. D8PLUS	500	8/2	1	0.72/ 0.18	2.8/ 1.7	5.25 x 15	65	8	IP65	23	0.69
LP500/2N. D8PLUS	1000	4	2	0.72	2.8	5.25 x 15	65	8	IP65	23	0.69
LP500/2NF. D8PLUS	1000	8/2	2	0.72/ 0.18	2.8/ 1.7	5.25 x 15	65	8	IP65	23	0.69
LG10/1/4D8+	630	4	1	0.46	3.5	7 x 22	72	8	IP55	44	1.04
LG10/1/8D8+	630	8	1	0.91	4.3	7 x 22	72	8	IP55	44	1.04
LG10/1/82D8+	630	8/2	1	0.91/ 0.23	4.3/ 3.8	7 x 22	72	8	IP55	44	1.04
LG10/1/164D8+	630	16/ 4	1	5.8/ 2.6	6.5/ 5.8	7 x 22	72	12.4	IP56	44	1.04
LG10/2/4D8+	1260	4	2	0.46	4.3	7 x 22	72	8	IP55	46	2.08
LG10/2/41D8+	1260	4/ 1	2	0.91/ 0.23	4.3/ 3.8	7 x 22	72	8	IP55	46	2.08
LG10/2/82D8+	1260	8/2	2	5.8/ 2.6	6.5/ 5.8	7 x 22	72	8	IP55	46	2.08
LG16/1/4D8+	1000	4	1	0.76	4.5	9 x 27	75	8	IP55	60	1.75
LG16/1/8D8+	1000	8	1	1.53	6.8	9 x 27	75	8	IP55	60	1.75
LG16/1/82D8+	1000	8/2	1	1.53/ 0.38	7.3/ 6.2	9 x 27	75	8	IP55	62	1.75
LG16/2/4D8+	2000	4	2	1.53	6.8	9 x 27	75	8	IP55	62	3.5
LG16/2/41D8+	2000	4/ 1	2	1.53/ 0.38	7.3/ 6.2	9 x 27	75	8	IP55	63	3.5
LG20/1/4D8+	1250	4	1	0.96	4.8	10 x 28	75	8	IP55	60	2.25
LG20/1/8D8+	1250	8	1	1.91	7.3	10 x 28	75	8	IP55	60	2.25
LG20/1/82D8+	1250	8/2	1	1.91/ 0.48	8.5/ 6.6	10 x 28	75	8	IP55	62	2.25
LG20/2/4D8+	2500	4	2	1.91	7.3	10 x 28	75	8	IP55	64	4.5
LG20/2/41D8+	2500	4/ 1	2	1.91/ 0.48	8.5/ 6.6	10 x 28	75	8	IP55	64	4.5

LPM / LP

LCH / LG



DIMENSIONS

TYPE	NUMBER OF FALLS	A1	B1	B2	C1	C2
LPM250 / D8	1	206	368	20	134	95
LP500 / D8	1	293	414	24	162	133
LG10 / D8	1	323	369	32	214	139
LG16 / D8	1	347	389	37	230	164
LG20 / D8	1	347	389	37	230	164
LG250 / D8	1	347	389	37	230	164

Dimensions of 2 fall hoists on demand
Drawings available on request

ENTERTAINMENT CHAIN HOISTS TO BGV C1 GERMAN SAFETY REGULATIONS

THE REGULATIONS

High integrity Hoists prepared for incorporation into BGV C1 hoisting systems. This refers to a German safety regulation for moving loads above people without using a secondary safety component

These hoists allow the following

(when people are present below the load):
Assembly/ disassembly in set up
Load holding when loads are static i.e. when the load is in a fixed position
Staging processes involving movement

BGV C1 REQUIRES

- » Factor of Safety - 10:1. The lifting capacity is de-rated
- » 2 separate brakes
- » 4 position limit switches - limit switches & emergency limit switches
- » Shutdown at 120% of rated load (using loadcell)
- » Underload monitoring - (using loadcell)
- » Hoists to this regulation are tested and approved by TUV offices in Germany and relevant certification issued.
- » BGV C1 systems have to be approved on site by an approved theatrical engineer when integration tests are carried out.

BGV C1 HOISTS FEATURE:

- » Modern, quiet, reliable and proven design, manufacture and assembly mean long life and competitive pricing
- » Lifting capacities from 400 to 1000kg on one chain fall
- » Upper/lower geared electrical limit switches plus emergency switches
- » Hoists can be used upright - motor up or climbing - motor down applications
- » The hoist is black, chain is black or zinc plated
- » Eye or hook suspension with load sensor, output signal 0-10V
- » Integration of PLC controller possible, control systems monitor the special features and in the event of any of the safety features being breached- overload, slack chain or emergency limit the entire lifting system shuts down
- » Control systems operate with single or variable speeds, using encoders which can monitor the position of hoists and load

FEATURES - NEW LP/LPM HOIST RANGE

- » Designed for a higher lifting capacity, this also gives higher duty and longer lifetime hours
- » NEW Profile (square) steel lifting chain carries heavier loads with low wear and black phosphate protection
- » IP65 Protection class
- » Polygon connections on shafts and hubs - easier maintenance
- » Aluminium body - black electrophoretic coated
- » Simple, reliable, easy to use and maintain



OPTIONAL EXTRAS

- » Incremental or absolute encoder on the chain wheel for path measurement
- » Temperature monitoring
- » Locking hooks

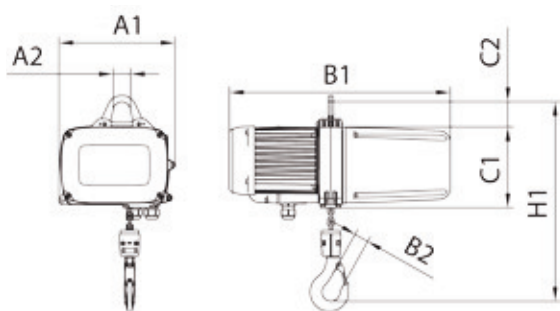
Note - We can build hoists with features to your requirements and to operate with your control system. We can also supply hoists without control equipment

ENTERTAINMENT CHAIN HOISTS TO BGV C1 GERMAN SAFETY REGULATIONS

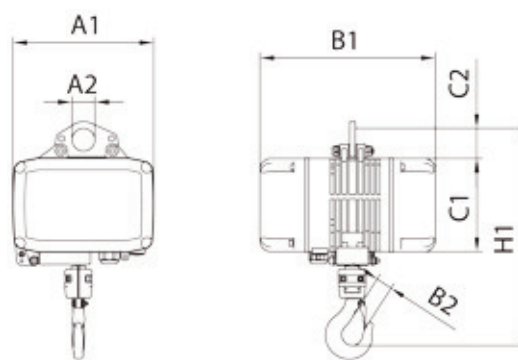
SPECIFICATIONS

HOIST TYPE	LIFTING CAPACITY	NOMINAL LIFTING SPEED	NO. OF CHAIN FALLS	MOTOR POWER	POWER CONSUMPTION WITH LOAD	CHAIN DIMENSIONS	CHAIN SAFETY FACTOR STATIC	SOUND PRESSURE LEVEL IN HALL AT 1M DISTANCE	PROTECTION CLASS	WEIGHT HOIST ONLY	WEIGHT PER METRE LIFT
	(kg)	(m/min)		(kW)	(A)	(mm)		dB		(kg)	(kg)
LP500/1NL C1	400	4	1	0.55	1.8	5.25 x 15	10	65	IP65	24	0.69
LP500/1N. C1	400	8	1	0.72	2.8	5.25 x 15	10	65	IP65	24	0.69
LCH1000/1NL C1	500	4	1	0.36	3.5	7 x 22	12.5	72	IP55	44	1.04
LCH1000/1N. C1	500	8	1	0.72	4.3	7 x 22	12.5	72	IP55	44	1.04
LCH1600/1NL C1	800	4	1	0.61	4.5	9 x 27	12.9	75	IP55	60	1.75
LCH1600/1N. C1	800	8	1	1.22	6.8	9 x 27	12.9	75	IP55	60	1.75
LCH2000/1NL C1	1000	4	1	0.76	4.8	10 x 28	12.8	75	IP55	60	2.25
LCH2000/1N. C1	1000	8	1	1.53	7.3	10 x 28	12.8	75	IP55	60	2.25

LPM / LP



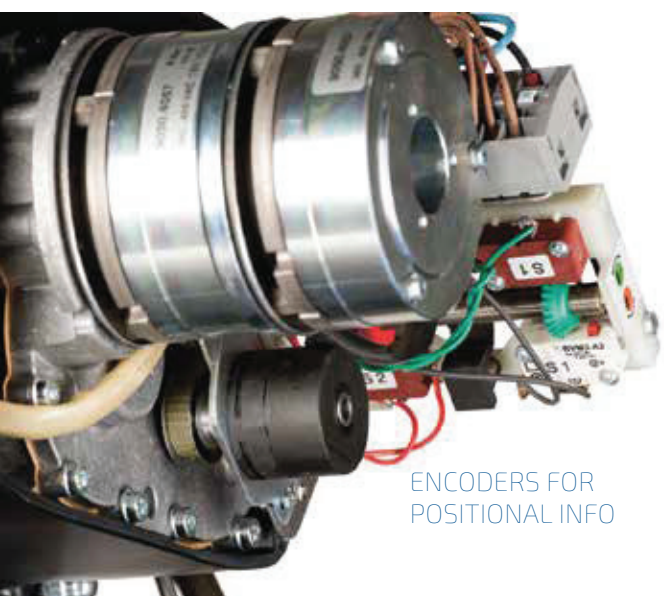
LCH / LG



DIMENSIONS

TYPE	NUMBER OF FALLS	A1	A2	B1	B2	C1	C2	H1
LP500 / C1	1	293	ø40	414	24	95	94	480
LCH1000 / C1	1	342	ø52	465	32	214	121	563
LCH1600 / C1	1	366	ø70	485	37	230	146	648
LCH2500 / C1	1	366	ø70	485	37	230	146	648

Dimensions of 2 fall hoists on demand
Drawings available on request



ENCODERS FOR POSITIONAL INFO



LOAD SENSOR