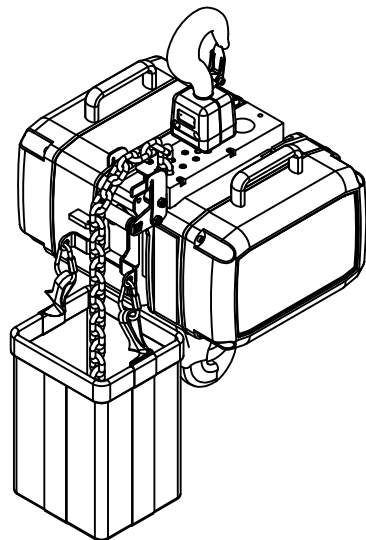
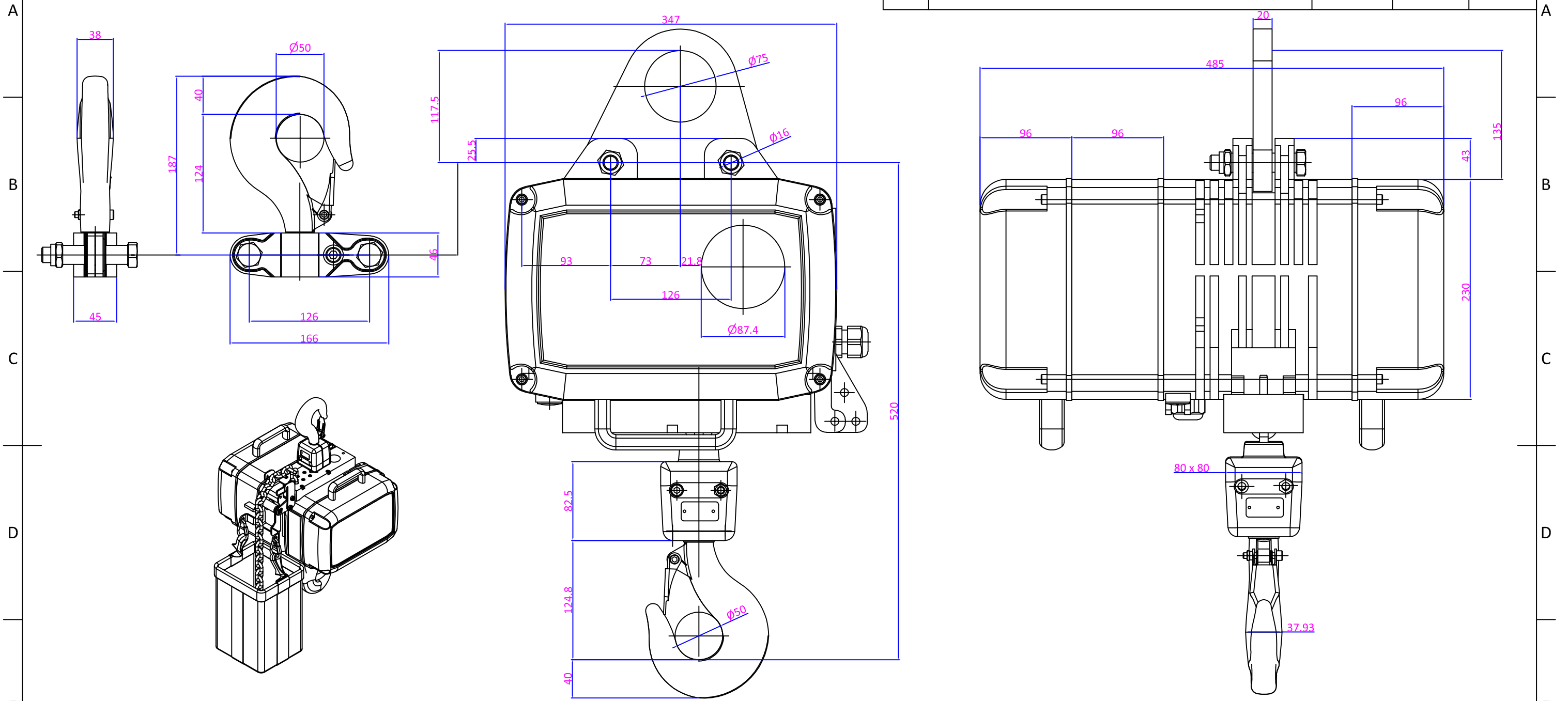


Rev No	Revision note	Date	Initials	Checked
01	First Issue	15.07.2017	SF	SF
XX	XX	XX-XX-XXXX	XX	XX




Classification	M3/1Bm	M4/1Am	M5/2m	Lifting speed	Motor power	3Ph 3x400V 50Hz	Weight unequipped	Chain safety static
	kg	kg	kg					
Switches /h	150	180	240					
Duty factor %	25%	30%	40%					
	kg	kg	kg	m/min. 50Hz	kW (50 Hz)	A	kg	
LG16/1N D8P	1000	800	800	8	2.44	6.8	53	10x Min
LG16/1NL D8P	1000	800	800	4	1.22	4.5	53	10x Min
LG16/1SL D8P	800	800	630	6.25	1.2	4.5	53	10x Min
LG16/1NF D8P	1000	800	800	8/2	2.44/0.61	7.3/6.2	55	10x Min

PROFILE STEEL CHAIN SPECIFICATION

- Steel Chain Finish: Black Phosphated
- Chain Grade: DAT (8SS), FEM9.671
- Chain Size: 9mm x 27mm
- Chain Weight Per metre: 1.75kg

CHAIN HOIST ADDITIONAL SPECIFICATIONS

- Protection DIN 40050: IP55
- Insulation class: F
- Fuse protection generally: 10A
- Load hook DIN 15401: 1

SCALE:	1:4	 <p>LIFT TURN MOVE LTD</p> <p>Unit 2 Stadium Court, Plantation Road, Bromborough, United Kingdom, CH62 3QG Tel: +44 151 6490467 Email: Sales@liftturnmove.co.uk</p>	
SIZE:	A3		
SHEET:	1 OF 1		
DRAWN:	GIS		
CHECK:	SF	TITLE:	LG16 D8 Plus Single Fall Arrangement
ISSUED:	15.07.2017	DWG NO:	LG16-D8P-1F
REV:	01		