

Ersatzteile

Spare parts

Pièces de rechange

Onderdelen

Reservedele

Varaosat

Pezzi di ricambio

Reservedeler

Peças

Reservdelar

Piezas de recambio

EM
EME
EHF
EMFE



Stromlaufpläne

Circuit diagrams

Schéma de connexions

Stroomschema

Kredslobsdiagrammer

Kytkentäkaavio

Aanluitschema

Schema elettrico

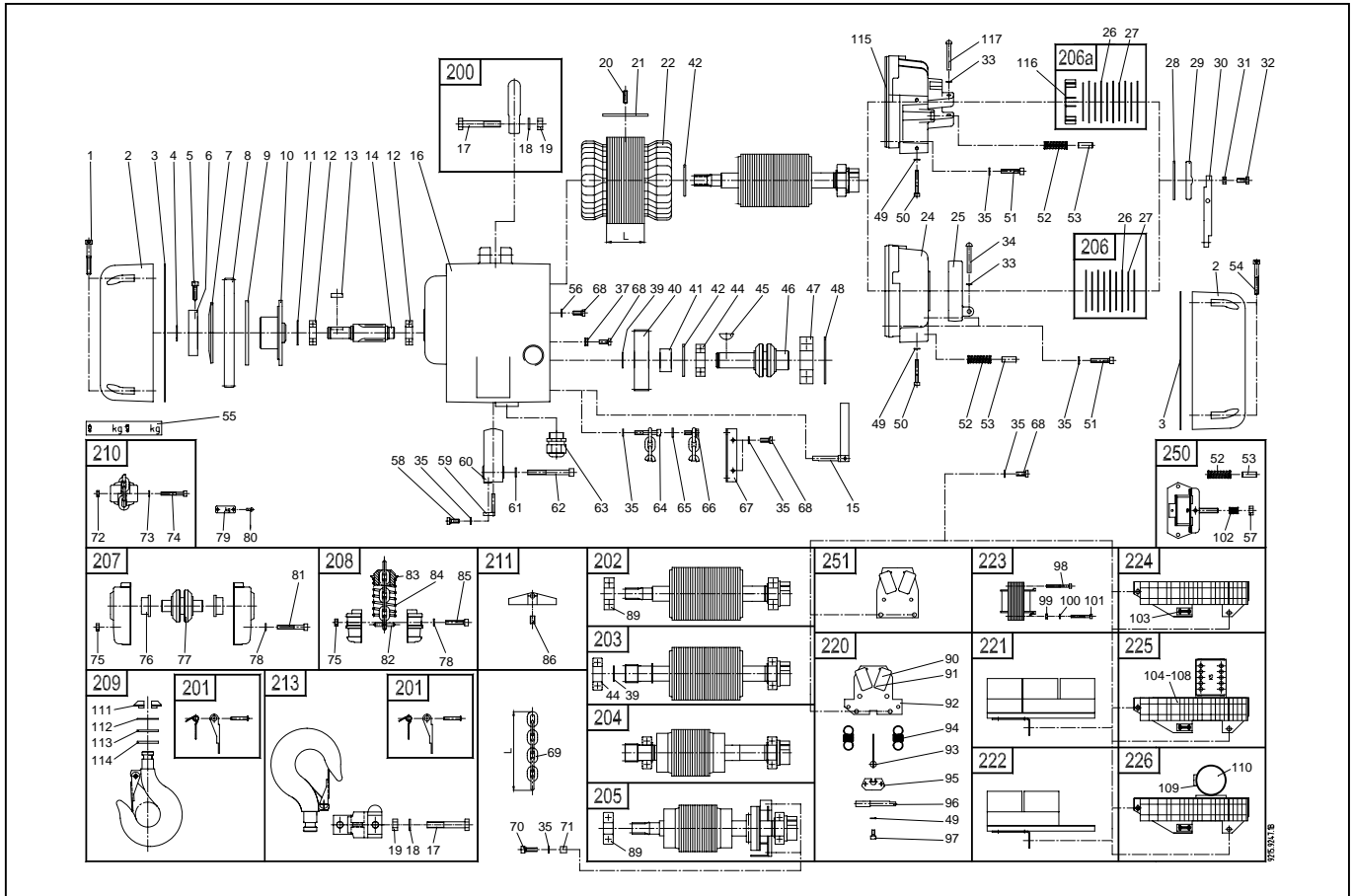
Koplingskjema

Esquema electrico

Elschema

Esquema eléctrico

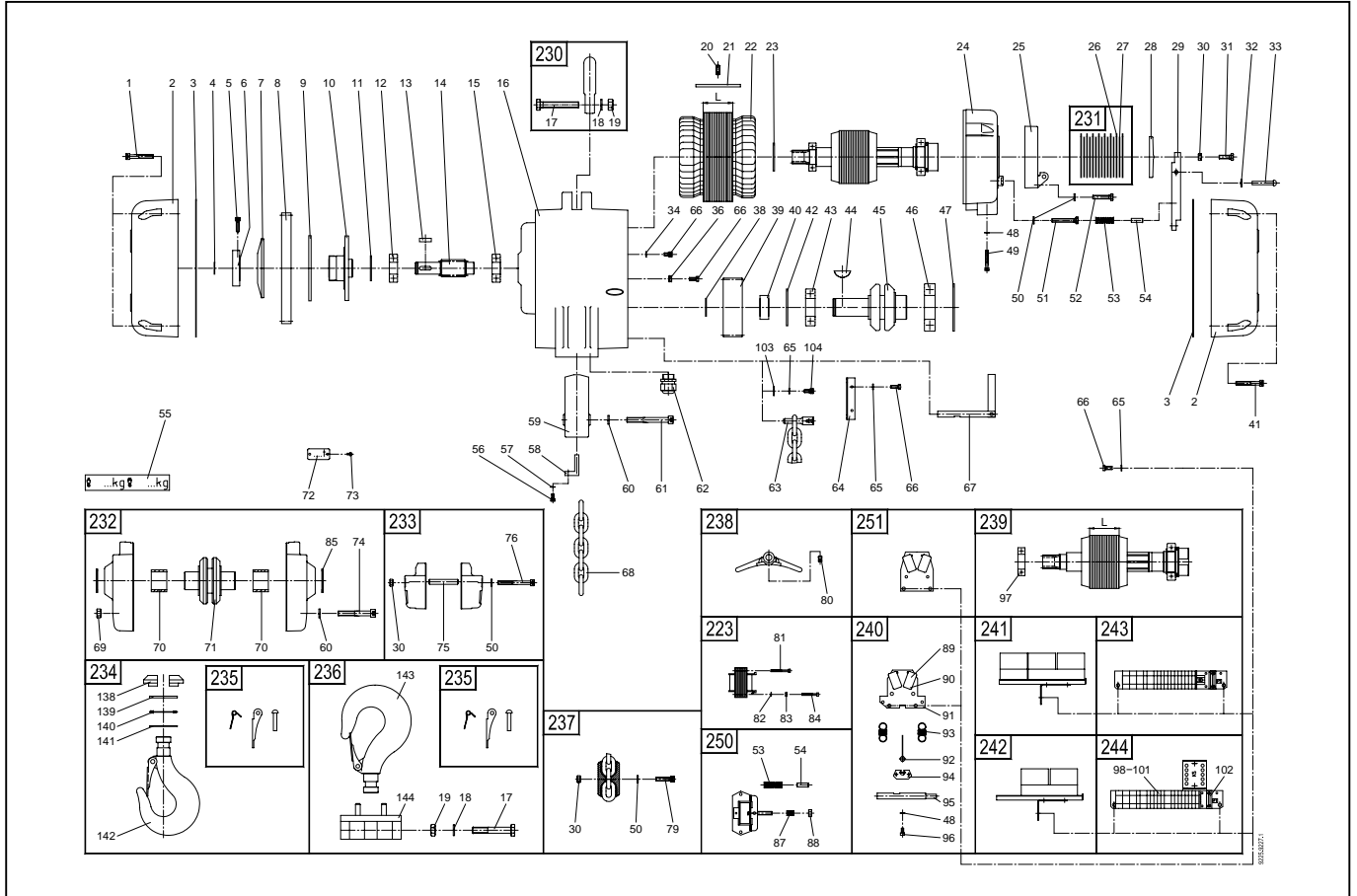
EM
EME
EMFE
EMS
EMK
EMR
EMH
SA



	EM 25	EM 50
1	M5 x 40 VZ	9030.0268 9030.0268
2	252 x 182 x 70	9215.3001.1 9215.3001.1
3	252 x 182 x 1	9215.3003.3 9215.3003.3
4	15 x 1	0031.1009 0031.1009
5	M5 x 20	9210.3057.4 9210.3057.4
6	Rd 60 x 12	9210.3048.4 9210.3048.4
7	Rd 80/42 x 3	9210.3047.4 9210.3047.4
8	Rd 144 / z=138	9210.3010.4 9210.3010.4
	Rd 139 / z=132	9216.3029.4
	Rd 136 / z=103	9210.3012.4 9210.3012.4
9	Rd 85/7.5 x 4	9210.3020.4 9210.3020.4
10	Rd 86 x 34.5	9210.3013.4 9210.3013.4
11	32 x 1.2	0031.1115 0031.1115
12	6002	0038.1033 0038.1033
13	5 x 5 x 15	9036.0001 9036.0001
14	Rd 28 x 88.5	9210.3031.4 9210.3031.4
15		9210.3037.4 9210.3037.4
16	252 x 182 x 137	9215.3000.0 9215.3000.0
17	M8 x 50/22 VZ	9030.5307 9030.5307
18	M8 VZ	9031.3904 9031.3904
19	M8 VZ	0031.0008 0031.0008
20	M5 x 16	0030.2112 0030.2112
21	Rd 3 x 60	9031.5853 9031.5853
22	L=50 220/380V	9212.0100.4 9212.0100.4
	L=50 1Ph 220V	9212.0051.4 9212.0051.4
	L=90 220V	9212.0300.4 9212.0300.4
	L=90 380/420V	9212.0301.4 9212.0301.4
24		9215.3002.2 9215.3002.2
25		9215.3004.3 9215.3004.3
26	Rd 51/33 x 1	9210.3507.4 9210.3507.4
27	Rd 50/33 x 1	9210.3508.4 9210.3508.4
28	Rd 51/34.5 x 2	9210.3084.4
29	Rd 50 x 8.5	9210.3015.4 9210.3015.4
30	FL 15/10 x 94	9215.3015.4 9215.3015.4
31	M5 VZ	0031.0036 0031.0036
32	M5 x 12 VZ	9030.5251 9030.5251
33	Gr. 5	9031.1151 9031.1151
34	ø5 x 35 mm	9031.7003 9031.7003
35	M5 VZ	9031.3902 9031.3902
37	M5	9058.5001 9058.5001
39	20 x 1.2	0031.1013 0031.1013
40	Rd 80.4 x 19	9210.3033.4 9210.3033.4
41	Rd 30/20.5 x 18	9210.3034.4 9210.3034.4
42	42 x 2.5	9035.0014
44	6004-LLUA	9038.0002 9038.0002
45	6 x 7.5 x 18.6	9036.0600 9036.0600
46	Rd 50 x 96	9210.3032.2 9211.3032.2
47	6305-ZZ	0038.1197
48	62 x 2	0031.1127 0031.1127
49	M4 VZ	9031.3901 9031.3901
50	M4 x 30 VZ	9030.0257 9030.0257
51	M5 x 25 VZ	9030.0265 9030.0265
52	8.5/1.5 x 30	9210.3065.4 9210.3065.4
53	Rd 6.8 x 21	9210.3345.4 9210.3345.4
54	M5 x 35 VZ	9030.3254 9030.3254
55	100/200 kg	9210.3724.4
	125/250 kg	9210.3338.4

	EM 25	EM 50	
55	160/320 kg	9210.3725.4 9210.3725.4	
	200/400 kg	9210.3726.4 9210.3726.4	
	250/500 kg	9211.3338.4	
	320/630 kg	9211.3343.4	
	400/800 kg	9211.3344.4	
56	5.3/10 x 1 MS	0031.0616 0031.0616	
57	M6	9031.1276 9031.1276	
58	M5 x 12 DIN 6912	9030.0003 9030.0003	
59		9210.3014.4 9211.3014.4	
60		9215.3006.3 9216.3006.3	
61	M6 VZ	9031.3903 9031.3903	
62	M6 x 55/24 VZ	9030.0305 9030.0305	
63	PG 11	9055.3006 9055.3006	
64	M5 x 30/11	9030.0007	
65	M6 VZ		9031.3903
66	6/16/M5		0030.4083
67	18/14 x 1.5 x 70	9215.3007.4 9215.3007.4	
68	M5 x 12 VZ	0030.3468 0030.3468	
69	4 x 12	9039.0003	
	5 x 15		9039.0005
70	M5 x 16 VZ	9030.0262 9030.0262	
71	8/1.4 x 8	9215.3014.4 9215.3014.4	
72	M4 VZ	0031.0035	
	M5 VZ		0031.0036
73	M4 VZ	9031.3901	
	M5 VZ		9031.3902
74	M4 x 30/20 VZ	9030.0257	
	M5 x 30/22 VZ		9030.0266
75	M5 VZ	0031.0036	
	M6 VZ		0031.0037
76	15 E7/22 x 12	9038.1254	
	20 E7/28 x 16		9038.1255
77	Typ 25	9210.3045.4	
	Typ 50		9211.3045.4
78	M5 VZ	9031.3902	
	M6 VZ		9031.3903
79	100 kg	9210.3717.4	
	125 kg	9210.3718.4	
	160 kg	9210.3719.4 9210.3719.4	
	200 kg	9210.3720.4 9210.3720.4	
	250 kg	9210.3721.4 9210.3721.4	
	320 kg	9210.3722.4 9210.3722.4	
	400 kg	9210.3723.4 9210.3723.4	
	500 kg	9211.3340.4	
	630 kg	9211.3341.4	
	800 kg	9211.3342.4	
80	3 x 5	9031.6604 9031.6604	
81	M5 x 35/22 VZ	9030.0267	
	M6 x 35/24 VZ		9030.0278
82	5 x 28	9215.3033.4	
	6 x 30		9216.3033.4
83	Rd 36 x 19	9215.3035.4 9216.3035.4	
84	Nr. 121	9034.1007	
85	M5 x 25 VZ	9030.0285	
	M6 x 35 VZ		9030.0278
86	M6 x 10 SW	0030.2322 0030.2322	
89	6302-LLUA	9038.0003 9038.0003	

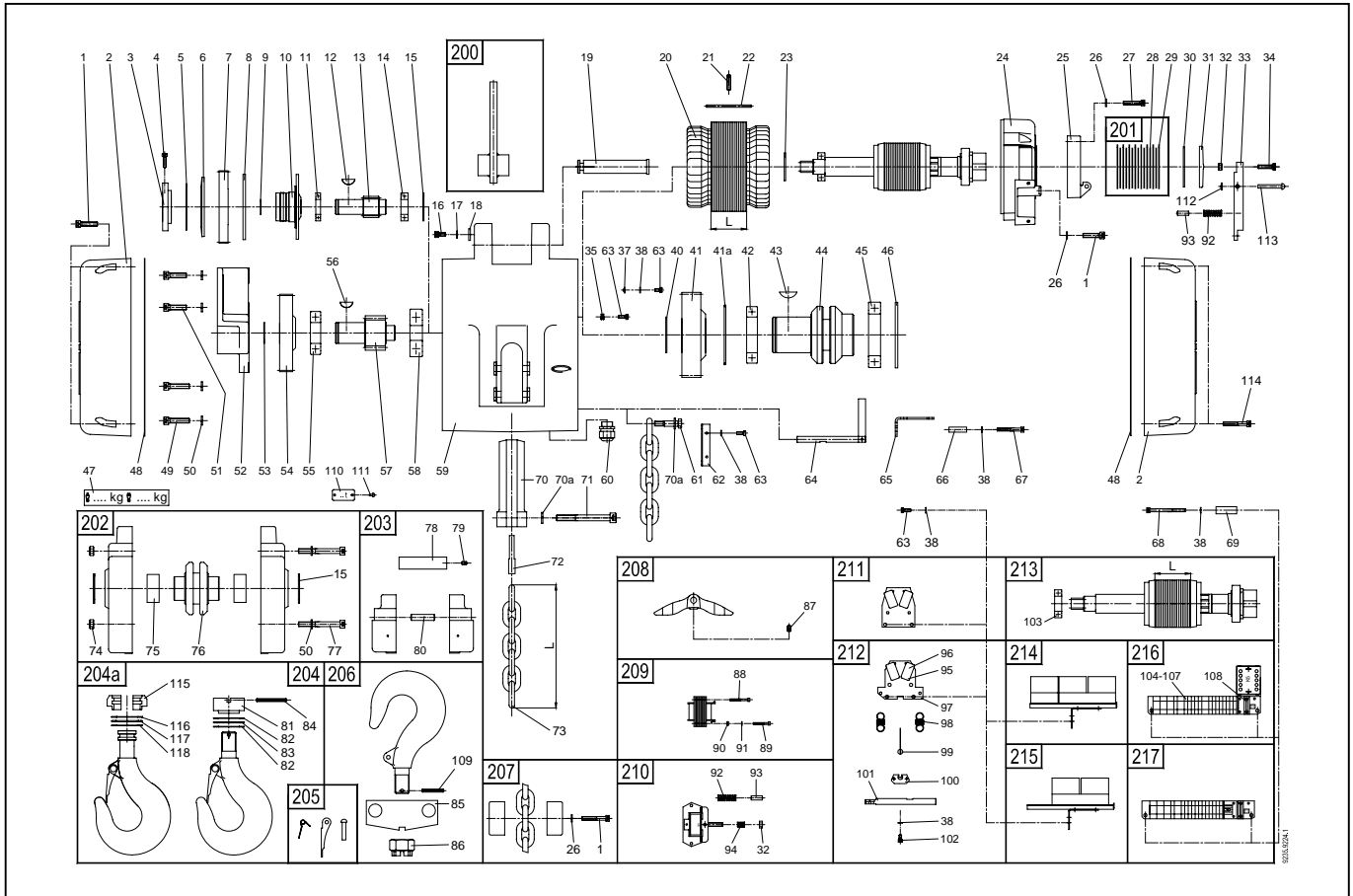
	EM 25	EM 50
90	XG3	9051.0500 9051.0500
91	M3 x 14 VZ	9030.3251 9030.3251
92	80 x 3 x 66	9210.3105.4 9210.3105.4
93	12 x 60	9210.3100.4 9210.3100.4
94		9210.3107.4 9210.3107.4
95	15 x 15 x 50	9210.3108.4 9210.3108.4
96	Rd 10 x 53	9210.3099.4 9210.3099.4
97	M4 x 8 SW	9030.0001 9030.0001
98	M3 x 30 VZ	0030.3439 0030.3439
99	M3 VZ	0031.0034 0031.0034
100	M3 VZ	9031.3900 9031.3900
101	M3 x 25 VZ	0030.3438 0030.3438
102	8/0.75 x 12	9210.3067.4 9210.3067.4
103	1.6 A	9052.0010 9052.0010
104	2-F	9058.0018 9058.0018
105	4-F	9058.0017 9058.0017
106		9058.0019 9058.0019
107		9058.0020 9058.0020
109	30 - 40 mm	9058.4008 9058.4008
110	MDK 404	9059.0002 9059.0002
111		9215.3134.4 9216.3134.4
112		9038.1754 0038.3133
113		9038.0258 9038.0250
114		9038.1753 9038.1755
115		9215.3002.2 9215.3002.2
116	ø51 x 14 mm	9215.3149.4 9215.3149.4
117	ø5 x 50 mm	9031.7009 9031.7009
200		9215.3038.4 9215.3038.4
201		9210.3736.4 9210.3736.4
202	-NF	9215.3034.3 9215.3034.3
	-N	9210.3146.3 9210.3146.3
203	-SF	9210.3583.3 9216.3036.3
204	-S	9210.3148.3 9210.3148.3
205	-N 1Ph	9210.3584.3 9210.3584.3
206		9210.3737.4 9211.3345.4
206a		9215.3151.4 9216.3078.4
207		9215.3130.3 9216.3130.3
208		9215.3137.4 9216.3137.4
209		9215.3132.4 9216.3132.4
210		9215.3021.4 9216.3021.3
211		9210.3738.4 9210.3738.4
213		9216.3129.4 9216.3129.4
220		9211.3141.4 9211.3141.4
221	2 T 42V	9212.2200.3 9212.2200.3
	1Ph NA 42V	9212.2320.3 9212.2320.3
	1 T 42V	9212.2100.3 9212.2100.3
	1Ph 42V	9212.2300.3 9212.2300.3
223	220/230/42V 50Hz	9056.4500.4 9056.4500.4
	380/420/42V 50/60Hz	9056.4501.4 9056.4501.4
224	1-2 T	9212.2070.3 9212.2070.3
225	1-2 T NA 42V	9212.2071.3 9212.2071.3
226	1Ph	9212.2051.3 9212.2051.3
250	220/230V 50Hz	9056.2500.4 9056.2500.4
	380/420V 50Hz	9056.2501.4 9056.2501.4
251	Standard	9210.3667.4 9210.3667.4



	EM 100	EM 150	
1	M6 x 40 VZ	9030.0279	9030.0279
2	322 x 232 x 78	9225.3001.1	9225.3001.1
3	322 x 232 x 1	9225.3003.2	9225.3003.2
4	20 x 1.2	0031.1013	0031.1013
5	M5 x 20	9210.3057.4	9210.3057.4
6	Rd 60 x 12	9210.3048.4	9210.3048.4
7	Rd 100/42 x 4	9221.3178.4	9221.3178.4
8	Rd 200 x 16	9225.3011.3	9225.3011.3
9	Rd 110 x 4	9210.3153.4	9210.3153.4
10	Rd 109 x 40	9221.3104.4	9221.3104.4
11	42 x 1.75	0031.1120	0031.1120
12	6204	0038.1126	0038.1126
13	6 x 6 x 20	0036.0023	0036.0023
14	Rd 30 x 99.5	9225.3016.4	9225.3016.4
15	7204 B	9038.0004	9038.0004
16	322 x 275 x 156	9225.3000.0	9225.3000.0
17	M10 x 65 VZ	9030.5308	9030.5308
18	M10 VZ	9031.3801	9031.3801
19	M10 VZ	0031.0009	0031.0009
20	M6 x 14	9030.2501	9030.2501
21	Rd 4 x 75	9230.3097.4	9230.3097.4
22	L=50 220/380V -N	9222.0200.4	9222.0200.4
	L=50 420V -N	9222.0200.4	9222.0200.4
	L=60 220/380/420V -S	9222.0100.4	
	L=90 220V -SF	9222.0400.4	
	L=90 380V -SF	9222.0401.4	
	L=90 420V -SF	9222.0402.4	
	L=100 220V -NF	9222.0500.4	9222.0500.4
	L=100 380V -NF	9222.0501.4	9222.0501.4
	L=100 420V -NF	9222.0502.4	9222.0502.4
23	47 x 2.5	9035.0015	9035.0015
24		9225.3002.2	9225.3002.2
25		9225.3004.3	9225.3004.3
26	Rd 78/50 x 1	9221.3299.4	9221.3299.4
27	Rd 67/40 x 1	9221.3300.4	9221.3300.4
28	Rd 69 x 7.5	9221.3111.4	9221.3111.4
29	Rd 15 x 15 x 131	9225.3015.4	9225.3015.4
30	M6 VZ	0031.0037	0031.0037
31	M6 x 20 VZ	9030.5263	9030.5263
32	Gr. 6	9031.1152	9031.1152
33	6 x 36	9031.7006	9031.7006
34	5.3/10 x 1 MS	0031.0616	0031.0616
36	M5	9058.5001	9058.5001
38	30 x 1.5	0031.1018	0031.1018
39	Rd 98.8 x 32	9225.3017.4	9225.3017.4
40	Rd 40/5 x 14.5	9221.3152.4	9221.3152.4
41	M6 x 40 VZ	0030.3492	0030.3492
42	62 x 2.5	9035.0016	9035.0016
43	6206 2RS	0038.1149	0038.1149
44	8 x 11 x 27.35	9036.0602	9036.0602
45	Rd 80 x 124.5	9221.3150.2	9221.3150.2
46	6208 2Z	0038.1130	0038.1130
47	80 x 2.5	0031.1132	0031.1132
48	M4 VZ	9031.3901	9031.3901
49	M4 x 30 VZ	9030.0257	9030.0257
50	M6 VZ	9031.3903	9031.3903
51	M6 x 40 VZ	9030.0279	9030.0279

	EM 100	EM 150	
52	M6 x 30 VZ	9030.0277	9030.0277
53	8.5/1.5 x 30	9210.3065.4	9210.3065.4
54	Rd 6.8 x 21	9210.3345.4	9210.3345.4
55	400/800 kg	9220.3477.4	
	500/1000 kg	9220.3257.4	
	630/1250 kg	9220.3478.4	9220.3478.4
	800/1600 kg	9220.3479.4	9220.3479.4
	1000/2000 kg	9220.3479.4	9221.3413.4
56	M4 x 8 SW	9030.0001	9030.0001
57	M4 VZ	9031.3901	9031.3901
58	35/23.5/7 x 40	9221.3112.4	9221.3112.4
59	130 x 105 x 45	9225.3006.3	9226.3006.3
60	M8 VZ	9031.3904	9031.3904
61	M8 x 70 VZ	9030.0294	9030.0294
62	PG 11	9055.3006	9055.3006
63	Rd 13 x 50	9225.3098.4	9225.3098.4
64	18/14 x 1.5 x 70	9215.3007.4	9215.3007.4
65	M5 VZ	9031.3902	9031.3902
66	M5 x 12 VZ	0030.3468	0030.3468
67	97 x 10	9221.3154.4	9221.3154.4
68	7 x 22 mm	9039.0007	
	8 x 22 mm		9039.0009
69	M8 VZ	0031.0008	0031.0008
70	30/37 x 26	0038.3261	0038.3261
71	Rd 65 x 85.6	9225.3041.4	
	Rd 75 x 85.6		9221.3168.4
72	0.4 t	9220.3470.4	
	0.5 t	9220.3471.4	
	0.63 t	9220.3472.4	9220.3472.4
	0.8 t	9220.3473.4	9220.3473.4
	1 t	9220.3474.4	9220.3474.4
	1.25 t	9220.3475.4	
	1.6 t	9220.3476.4	9220.3476.4
	2 t		9221.3412.4
73	3 x 5	9031.6604	9031.6604
74	M8 x 55 VZ	9030.0307	9030.0307
75	Rd 8 x 49	9220.3166.4	
	Rd 9 x 49		9221.3166.4
76	M6 x 55 VZ	9030.0305	9030.0305
77	24/6 x 16	9225.3013.4	9225.3013.4
78	M10 x 75	9030.5290	9030.5290
79	M6 x 25 VZ	9030.0276	9030.0276
80	6 x 10 SW	0030.2322	0030.2322
81	M3 x 30 VZ	0030.3439	0030.3439
82	M3 VZ	0031.0034	0031.0034
83	M3 VZ	9031.3900	9031.3900
84	M3 x 25 VZ	0030.3438	0030.3438
85	1.37 x 1.5	0031.1117	0031.1117
87	8/0.75 x 12	9210.3067.4	9210.3067.4
88	M6 VZ	9031.1276	9031.1276
89	XG3	9051.0500	9051.0500
90	M3 x 14 VZ	9030.3251	9030.3251
91	80 x 3 x 66	9210.3105.4	9210.3105.4
92	12 x 60	9210.3100.4	9210.3100.4
93		9210.3107.4	9210.3107.4
94	15 x 15 x 30	9210.3108.4	9210.3108.4
95	Rd 10 x 100	9221.3197.4	9221.3197.4

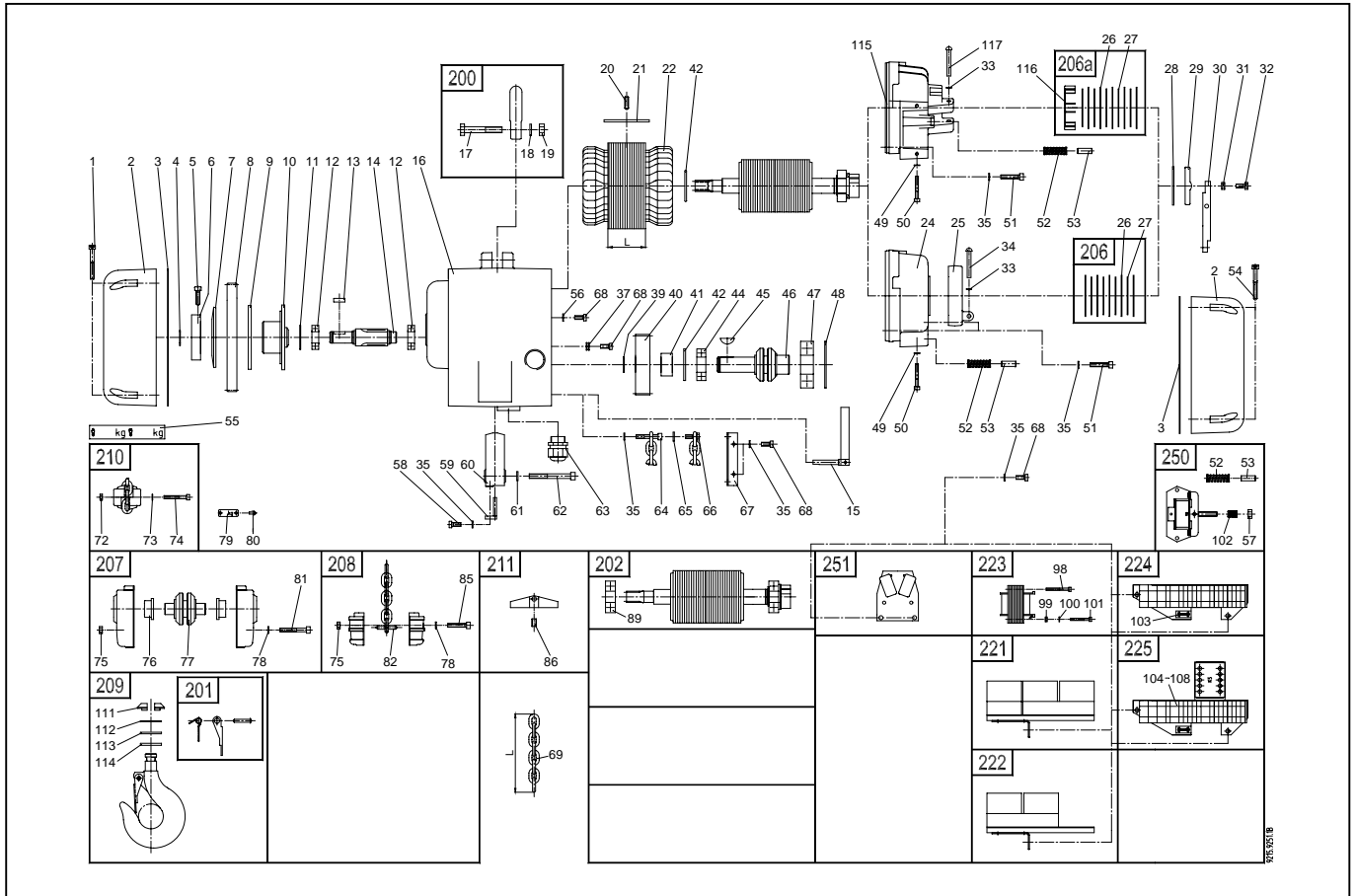
	EM 100	EM 150	
96	M4 x 8 SW	9030.0001	9030.0001
97	6005 LLUA	9038.0005	9038.0005
98	2-F	9058.0018	9058.0018
99	4-F	9058.0017	9058.0017
100		9058.0019	9058.0019
101		9058.0020	9058.0020
102	1.6 A	9052.0010	9052.0010
103	5.3 x 15 x 0.8 VZ	0031.9311	0031.9311
104	M5 x 10 VZ	0030.9229	0030.9229
138	ø47 x 18	9225.3096.4	9225.3096.4
139	ø30/47 x 3	9038.1750	9038.1750
140	ø30/47 x 2	9038.0252	9038.0252
141	ø30/47 x 1	0038.3128	0038.3128
142		9225.3095.3	9226.3095.3
143		9225.3095.3	9226.3095.3
144	40/25 x 102	9226.3093.3	9226.3093.3
223	220/230/42V 50Hz 380/420/42V 50/60Hz	9056.4500.4 9056.4501.4	9056.4500.4 9056.4501.4
230		9225.3012.4	9225.3012.4
231	8 x A / 7 x I	9220.3480.4	9220.3480.4
232		9225.3020.2	9226.3020.2
233		9225.3019.2	9226.3019.2
234		9225.3094.4	9226.3094.4
235		9220.3482.4	9220.3482.4
236		9225.3103.3	9226.3096.3
237		9225.3021.3	9221.3021.3
238		9220.3481.4	9220.3481.4
239	L=60 -N	9225.3026.3	9225.3026.3
	L=60 -S	9225.3028.3	
	L=90 -SF	9225.3029.3	
	L=100 -NF	9225.3027.3	9225.3027.3
240		9221.3212.4	9221.3212.4
241	2 T 42V	9222.2200.3	9222.2200.3
242	1 T 42V	9222.2100.3	9222.2100.3
243	1-2 T	9222.2000.3	9222.2000.3
244	1-2 T NA 42V	9222.2001.3	9222.2001.3
250	220/230V 50Hz	9056.2500.4	9056.2500.4
	380/420V 50Hz	9056.2501.4	9056.2501.4
251	Standard	9210.3667.4	9210.3667.4



	EM 200	EM 300/500
1	M6 x 40/24 VZ	9030.0279
2	EM 200-300	9235.3001.1
3	M48 x 1	9230.3056.4
4	M5 x 20 VZ	9210.3057.4
5	AS 5578	0038.3137
6	ø100/55 x 4	9230.3080.4
7	1/200-300	9235.3011.4
8	ø110/70 x 4	9210.3153.4
9	A 25 x 1.2	0031.1016
10	EM 200-300	9230.3006.4
11	16 005	0038.1248
12	6 x 7.5 x 18.75	9036.0600
13	2/200-300	9230.3054.4
14	2/500	9235.3059.4
15	6005	0038.1036
16	I 47 x 1.75	0031.1122
17	M6 x 12 VZ	9030.0274
18	M6 VZ	9031.3903
19	20/3 x 110	9230.3076.4
20	L=60 220/380V -N	9222.0100.4
	L=60 420V -N	9222.0100.4
	L=90 220V -NF	9222.0400.4
	L=90 380V -NF	9222.0401.4
	L=90 420V -NF	9222.0402.4
21	M6 x 25	0030.2124
22	ø4 x 75	9230.3097.4
23	ø47 x 2.5	9035.0015
24	EM 200 - 300	9235.3002.2
25	EM 100 - 300	9225.3004.3
26	M6 VZ	9031.3903
27	M6 x 30 VZ	9030.0277
28	I ø67/40 x 1	9221.3300.4
29	A ø78/50 x 1	9221.3299.4
30	ø68/50 x 2	9031.3018
31	ø69 x 7.5	9221.3111.4
32	M6 VZ	9031.1276
33	EM 200-300	9235.3015.4
34	M6 x 25	0030.2124
35	M5	9058.5001
37	5.3/10 x 1 MS	0031.0616
38	M5 VZ	9031.3902
40	A 60 x 2	0031.1028
41	3/200-300	9230.3053.4
	3/500	9235.3060.4
41a	ø95 x 2.5	9035.0017
42	6012-2RS	0038.1085
43	10 x 13 x 31.43	9036.0603
44		9230.3050.2
45	6014-2Z	0038.1066
46	110 x 4	0031.1137
47	800/1600 kg	9220.3479.4
	1000/2000 kg	9221.3413.4
	1250/2500 kg	9231.3066.4
	1600/3200 kg	9230.3229.4
	2000/4000 kg	9231.3198.4
	2500/5000 kg	9235.3063.4

	EM 200	EM 300/500
48	EM 200-300	9235.3003.2
49	M8 x 35 VZ	9030.0289
50	M8 VZ	9031.3904
51	M8 x 30 VZ	9030.0288
52	EM 200-300	9230.3004.2
53	A 35 x 1.5	0031.1020
54	2/200-300	9230.3052.4
	2/500	9235.3058.4
55	6207	0038.1108
56	8 x 9 x 21.63	9036.0601
57	3/200-300	9230.3055.4
	3/500	9235.3061.4
58	NJ 205	0038.1824
59	EM 200-300	9235.3000.0
	EM 500	9235.3062.4
60	PG 11	9055.3006
61	M8/10 x 40	0030.4100
62	18/14 x 1.5 x 70	9215.3007.4
63	M5 x 12 VZ	0030.3468
64	EM 200-300	9230.3073.4
65	EM 200-300	9235.3014.3
66	ø8/5.2 x 30	9038.2255
67	M5 x 40 VZ	0030.3474
68	M5 x 45 VZ	9030.0310
69	ø12/6 x 35	9235.3017.4
70		9230.3007.3
70a	M10 VZ	9031.3801
71	M10 x 90/32 VZ	9030.0301
72	EM 200-300	9230.3010.4
73	9 x 27	9039.0010
	10 x 28	9039.0011
74	M8	0031.0008
75	BK 4020	0038.3263
76		9230.3059.4
77	M8 x 70 VZ	9030.0294
78	ø80/73 x 20	9230.3058.4
79	M5 x 8 DIN 916 VZ	9030.2750
80	ø10 x 40	9230.3065.4
81	ø55 M24 x 2	9230.3069.4
82	AS 3552	0038.3126
83	AXK 3552	9038.0253
84	ø5 x 50	0031.6048
85	EM 200 - 300	9230.3068.3
86	M24 x 2	9031.1450
87	M6 x 10	0030.2322
88	M3 x 30 VZ	0030.3439
89	M3 x 25 VZ	0030.3438
90	M3 VZ	0031.0034
91	M3 VZ	9031.3900
92	8.5/1.5 x 30	9210.3065.4
93	ø6.8 x 21	9210.3345.4
94	8/0.75 x 12	9210.3067.4
95	M3 x 14 VZ	9030.3251
96	XG 3	9051.0500
97	80 x 3 x 66	9210.3105.4
98		9210.3107.4
99	12 x 60	9210.3100.4

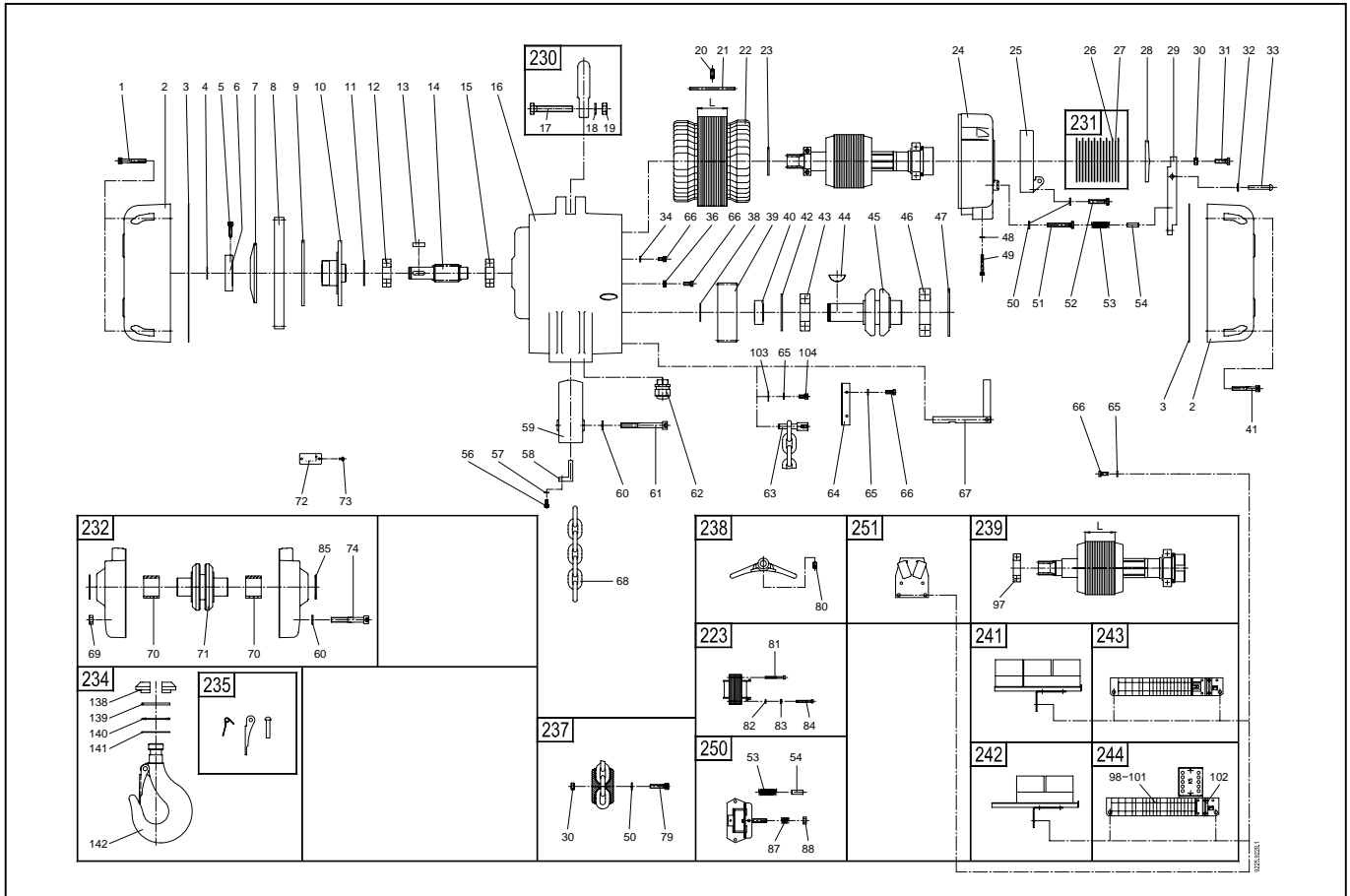
	EM 200	EM 300/500
100	15 x 15 x 30	9210.3108.4
101	ø10 x 119	9230.3072.4
102	M4 x 8 SW	9030.0001
103	6005-LLUA	9038.0005
104	2-F	9058.0018
105	4-F	9058.0017
106		9058.0019
107		9058.0020
108	1.6 A	9052.0010
109	ø5 x 36	0031.6045
110	0.8 t	9220.3473.4
	1 t	9220.3474.4
	1.25 t	9220.3475.4
	1.6 t	9220.3476.4
	2 t	9221.3412.4
	2.5 t	9230.3226.4
	3.2 t	9230.3227.4
	4 t	9231.3196.4
	5 t	9235.3064.4
111	2.6 x 6	9031.6602
112	Gr. 6	9031.1152
113	6 x 40	9031.7007
114	M6 x 40 VZ	0030.3492
115	ø47 x 23.7	9235.3107.4
116	ø30/47 x 1	0038.3128
117	ø30/47 x 2	9038.0252
118	ø30/47 x 3	9038.1750
200		9230.3096.3
201	8 x A / 7 x I	9230.3232.4
202	9 x A / 8 x I	9231.3199.4
203		9230.3009.3
204		9230.3070.3
204a		9235.3110.3
205		9220.3482.4
206		9230.3071.4
207		9230.3077.4
208		9230.3233.4
209	220/230/42V 50Hz	9056.4500.4
	380/420/42V 50/60Hz	9056.4501.4
210	220/230V 50Hz	9056.2500.4
	380/420V 50Hz	9056.2501.4
211		9210.3667.4
212		9230.3079.4
213	L=60 -N	9235.3012.3
	L=90 -NF	9235.3013.3
214	2 T 42V	9222.2200.3
215	1 T 42V	9222.2100.3
216	1-2 T NA 42V	9232.2000.3
217	1-2 T	9222.2000.3



		EME 25	EME 50
1	M5 x 40 VZ	9030.0268	9030.0268
2	252 x 182 x 70	9215.3025.1	9215.3025.1
3	252 x 182 x 1	9215.3003.3	9215.3003.3
4	15 x 1	0031.1009	0031.1009
5	M5 x 20	9210.3057.4	9210.3057.4
6	Rd 60 x 12	9210.3048.4	9210.3048.4
7	Rd 80/42 x 3	9210.3047.4	9210.3047.4
8	Rd 144 x 13/9M	9210.3010.4	9210.3010.4
9	Rd 85/7.5 x 4	9210.3020.4	9210.3020.4
10	Rd 86 x 34.5	9210.3013.4	9210.3013.4
11	32 x 1.2	0031.1115	0031.1115
12	6002	0038.1033	0038.1033
13	5 x 5 x 15	9036.0001	9036.0001
14	Rd 28 x 88.5	9210.3031.4	9210.3031.4
15		9210.3037.4	9210.3037.4
16	252 x 182 x 137	9215.3000.0	9215.3000.0
17	M8 x 50/22 VZ	9030.5307	9030.5307
18	M8 VZ	9031.3904	9031.3904
19	M8 VZ	0031.0008	0031.0008
20	M5 x 16	0030.2112	0030.2112
21	Rd 3 x 60	9031.5853	9031.5853
22	L=50 220/380/420V	9212.0100.4	9212.0100.4
	L=90 220V	9212.0300.4	9212.0300.4
	L=90 380/420V	9212.0301.4	9212.0301.4
24		9215.3002.2	9215.3002.2
25		9215.3004.3	9215.3004.3
26	Rd 51/33 x 1	9210.3507.4	9210.3507.4
27	Rd 50/33 x 1	9210.3508.4	9210.3508.4
28	Rd 51/34.5 x 2	9210.3084.4	
29	Rd 50 x 8.5	9210.3015.4	9210.3015.4
30	FL 15/10 x 94	9215.3015.4	9215.3015.4
31	M5 VZ	0031.0036	0031.0036
32	M5 x 12 VZ	9030.5251	9030.5251
33	Gr. 5	9031.1151	9031.1151
34	ø5 x 35 mm	9031.7003	9031.7003
35	M5 VZ	9031.3902	9031.3902
37	M5	9058.5001	9058.5001
39	20 x 1.2	0031.1013	0031.1013
40	Rd 80.4 x 19	9210.3033.4	9210.3033.4
41	Rd 30/20.5 x 18	9210.3034.4	9210.3034.4
42	42 x 2.5	9035.0014	9035.0014
44	6004-LLUA	9038.0002	9038.0002
45	6 x 7.5 x 18.6	9036.0600	9036.0600
46	Rd 50 x 96	9210.3032.2	9211.3032.2
47	6305-2Z	0038.1197	0038.1197
48	62 x 2	0031.1127	0031.1127
49	M4 VZ	9031.3901	9031.3901
50	M4 x 30 VZ	9030.0257	9030.0257
51	M5 x 25 VZ	9030.0265	9030.0265
52	8.5/1.5 x 30	9210.3065.4	9210.3065.4
53	Rd 6.8 x 21	9210.3345.4	9210.3345.4
54	M5 x 35 VZ	9030.3254	9030.3254
56	5.3/10 x 1 MS	0031.0616	0031.0616
57	M 6	9031.1276	9031.1276
58	M5 x 12 DIN 6912	9030.0003	9030.0003
59		9210.3014.4	9211.3014.4
60		9215.3006.3	9216.3006.3

		EME 25	EME 50
61	M6 VZ	9031.3903	9031.3903
62	M6 x 55/24 VZ	9030.0305	9030.0305
63	PG 11	9055.3006	9055.3006
64	M5 x 30/11	9030.0007	
65	M6 VZ		9031.3903
66	6/16/M5		0030.4083
67	18/14 x 1.5 x 70	9215.3007.4	9215.3007.4
68	M5 x 12 VZ	0030.3468	0030.3468
69	4 x 12 mm, 4 m	9039.0012	
	4 x 12 mm, 8 m	9039.0013	
	5 x 15 mm, 8 m		9039.0014
	4 x 12 mm, 6 m	9039.0016	
	4 x 12 mm, 12 m	9039.0017	
	5 x 15 mm, 12 m		9039.0018
72	M4 VZ	0031.0035	
	M5 VZ		0031.0036
73	M4 VZ	9031.3901	
	M5 VZ		9031.3902
74	M4 x 30/20 VZ	9030.0257	
	M5 x 30/22 VZ		9030.0266
75	M5 VZ	0031.0036	
	M6 VZ		0031.0037
76	15 E7/22 x 12	9038.1254	
	20 E7/28 x 16		9038.1255
77	Typ 25	9210.3045.4	
	Typ 50		9211.3045.4
78	M5 VZ	9031.3902	
	M6 VZ		9031.3903
79	250 kg	9210.3721.4	
	500 kg	9211.3340.4	
	1000 kg		9216.3041.4
80	3 x 5	9031.6604	9031.6604
81	M5 x 35/22 VZ	9030.0267	
	M6 x 35/24 VZ		9030.0278
82	5 x 28	9215.3033.4	
	6 x 30		9216.3033.4
85	M5 x 25 VZ	9030.0265	
	M6 x 35 VZ		9030.0278
86	M6 x 10 SW	0030.2322	0030.2322
89	6302-LLUA	9038.0003	9038.0003
98	M3 x 30 VZ	0030.3439	0030.3439
99	M3 VZ	0031.0034	0031.0034
100	M3 VZ	9031.3900	9031.3900
101	M3 x 25 VZ	0030.3438	0030.3438
102	8/0.75 x 12	9210.3067.4	9210.3067.4
103	1.6 A	9052.0010	9052.0010
104	2-F	9058.0018	9058.0018
105	4-F	9058.0017	9058.0017
106		9058.0019	9058.0019
107		9058.0020	9058.0020
111		9215.3134.4	9216.3134.4
112		9038.1754	0038.3133
113		9038.0258	9038.0250
114		9038.1753	9038.1755
115		9215.3002.2	9215.3002.2
116	ø51 x 14 mm	9215.3149.4	9215.3149.4
117	ø5 x 50 mm	9031.7009	9031.7009

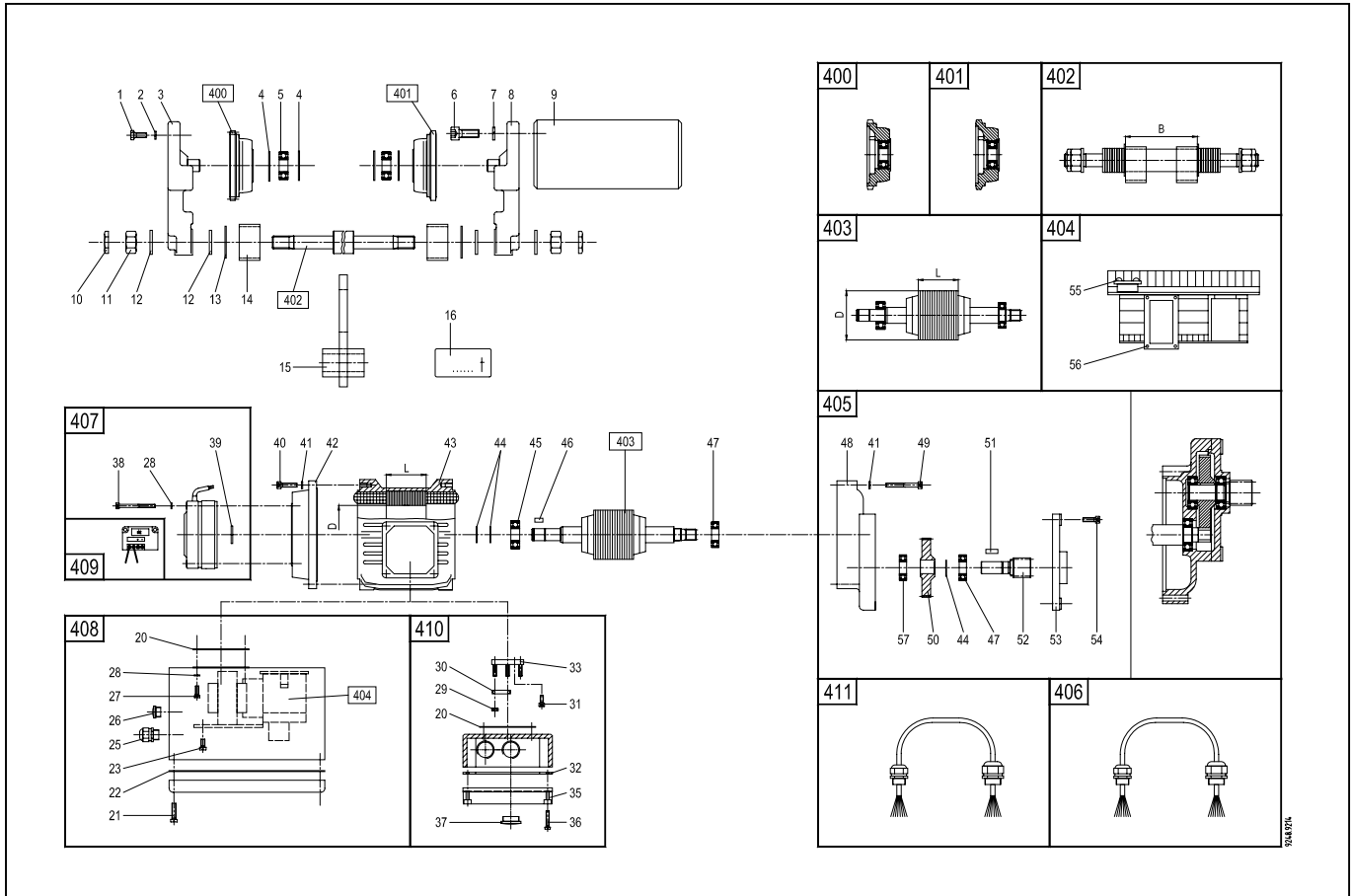
		EME 25	EME 50
200		9215.3038.4	9215.3038.4
201		9210.3736.4	9210.3736.4
202	-N	9210.3146.3	9210.3146.3
	-NF	9215.3034.3	9215.3034.3
206		9210.3737.4	9211.3345.4
206a		9215.3151.4	9216.3078.4
207		9215.3130.3	9216.3130.3
208		9215.3131.3	
209		9215.3132.4	9216.3132.4
210		9215.3021.4	9216.3021.3
211		9210.3738.4	9210.3738.4
221	2 T 42V	9212.2200.3	9212.2200.3
222	1 T 42V	9212.2100.3	9212.2100.3
223	220/230/42V 50Hz	9056.4500.4	9056.4500.4
	380/420/42V 50/60Hz	9056.4501.4	9056.4501.4
224	1-2 T	9212.2070.3	9212.2070.3
225	1-2 T NA 42V	9212.2071.3	9212.2071.3
250	220/230V 50Hz	9056.2500.4	9056.2500.4
	380/420V 50Hz	9056.2501.4	9056.2501.4
251	Standard	9210.3667.4	9210.3667.4



		EME 100
1	M6 x 40 VZ	9030.0279
2	322 x 232 x 78	9225.3025.1
3	322 x 232 x 1	9225.3003.2
4	20 x 1.2	0031.1013
5	M5 x 20	9210.3057.4
6	Rd 60 x 12	9210.3048.4
7	Rd 100/42 x 4	9221.3178.4
8	Rd 200 x 16	9225.3011.3
9	Rd 110 x 4	9210.3153.4
10	Rd 109 x 40	9221.3104.4
11	42 x 1.75	0031.1120
12	6204	0038.1126
13	6 x 6 x 20	0036.0023
14	Rd 30 x 99.5	9225.3016.4
15	7204 B	9038.0004
16	322 x 275 x 156	9225.3000.0
17	M10 x 65 VZ	9030.5308
18	M10 VZ	9031.3801
19	M10 VZ	0031.0009
20	M6 x 14	9030.2501
21	Rd 4 x 75	9230.3097.4
22	L=50 220/380V -N	9222.0200.4
	L=50 420V -N	9222.0200.4
	L=100 220V -NF	9222.0500.4
	L=100 380V -NF	9222.0501.4
	L=100 420V -NF	9222.0502.4
23	47 x 2.5	9035.0015
24		9225.3002.2
25		9225.3004.3
26	Rd 78/50 x 1	9221.3299.4
27	Rd 67/40 x 1	9221.3300.4
28	Rd 69 x 7.5	9221.3111.4
29	Rd 15 x 15 x 131	9225.3015.4
30	M6 VZ	0031.0037
31	M6 x 20 VZ	9030.5263
32	Gr. 6	9031.1152
33	6 x 36	9031.7006
34	5.3/10 x 1 MS	0031.0616
36	M5	9058.5001
38	30 x 1.5	0031.1018
39	Rd 98.8 x 32	9225.3017.4
40	Rd 40/5 x 14.5	9221.3152
41	M6 x 40 VZ	0030.3492
42	62 x 2.5	9035.0016
43	6206 2RS	0038.1149
44	8 x 11 x 27.35	9036.0602
45	Rd 80 x 124.5	9220.3150.2
46	6208 2Z	0038.1130
47	80 x 2.5	0031.1132
48	M4 VZ	9031.3901
49	M4 x 30 VZ	9030.0257
50	M6 VZ	9031.3903
51	M6 x 40 VZ	9030.0279
52	M6 x 30 VZ	9030.0277
53	8.5/1.5 x 30	9210.3065.4
54	Rd 6.8 x 21	9210.3345.4
56	M4 x 8 SW	9030.0001

		EME 100
57	M4 VZ	9031.3901
58	35/23.5/7 x 40	9221.3112.4
59	130 x 105 x 45	9225.3006.3
60	M8 VZ	9031.3904
61	M8 x 70 VZ	9030.0294
62	PG 11	9055.3006
63	Rd 13 x 50	9225.3098.4
64	18/14 x 1.5 x 70	9215.3007.4
65	M5 VZ	9031.3902
66	M5 x 12 VZ	0030.3468
67	97 x 10	9221.3154.4
68	7 x 22 mm, 8 m	9039.0015
	7 x 22 mm, 12 m	9039.0019
69	M8 VZ	0031.0008
70	30/37 x 26	0038.3261
71	Rd 65 x 85.6	9220.3168.4
72	2 t	9221.3412.4
73	3 x 5	9031.6604
74	M8 x 55 VZ	9030.0307
79	M6 x 25 VZ	9030.0276
80	6 x 10 SW	0030.2322
81	M3 x 30 VZ	0030.3439
82	M3 VZ	0031.0034
83	M3 VZ	9031.3900
84	M3 x 25 VZ	0030.3438
85	1 37 x 1.5	0031.1117
87	8/0.75 x 12	9210.3067.4
88	M6 VZ	9031.1276
97	6005 LLUA	9038.0005
98	2-F	9058.0018
99	4-F	9058.0017
100		9058.0019
101		9058.0020
102	1.6 A	9052.0010
103	5.3 x 15 x 0.8 VZ	0031.9311
104	M5 x 10 VZ	0030.9229
138	ø47 x 18	9225.3096.4
139	ø30/47 x 3	9038.1750
140	ø30/47 x 2	9038.0252
141	ø30/47 x 1	0038.3128
142		9225.3095.3

		EME 100
223	220/230/42V 50Hz	9056.4500.4
	380/420/42V 50/60Hz	9056.4501.4
230		9225.3012.4
231	8 x A / 7 x I	9220.3480.4
232		9225.3020.2
234		9225.3094.4
235		9220.3482.4
237		9225.3021.4
238		9220.3481.4
239	L=50 -N	9225.3026.3
	L=100 -NF	9225.3027.3
241	2 T 42V	9222.2200.3
242	1 T 42V	9222.2100.3
243	1-2 T NA 42V	9222.2001.3
244	1-2 T 42V	9222.2000.3
250	220/230V 50Hz	9056.2500.4
	380/420V 50Hz	9056.2501.4
251	Standard	9210.3667.4



		EHF 50	EHF 150	EHF 300	EHF 500
4	35 x 1.5	0031.1116			
	47 x 1.75		0031.1122		
	62 x 2			0031.1127	0031.1127
5	6202-2Z	0038.1124			
	6204-2Z		0038.1126		
	6206-2Z			0038.1128	0038.1128
8	EHF 50	9247.1000.1			
	EHF 150		9248.1000.1		
	EHF 300			9249.1000.1	
	EHF 500				9249.1000.1
10	M16	9031.1576			
	M24		9031.1577	9031.1577	9031.1577
11	M16	9031.0627			
	M24		9031.0628	9031.0628	9031.0628
12	ø17/30 x 3	9031.3219			
	ø24.5/44 x 3		9248.1008.4	9248.1008.4	9248.1008.4
13	ø17/40 x 1.6	9031.3218			
	ø25/60 x 3		9031.3220	9031.3220	9031.3220
14	ø45/3 x 26	100-149 mm	9247.1006.4		
	ø45/3 x 51	150-199 mm	9247.1009.4		
	ø45/3 x 74	200-240 mm	9247.1010.4		
	ø55/3.5 x 35	140-199 mm		9248.1006.4	
	ø55/3.5 x 65	200-259 mm		9248.1010.4	
	ø55/3.5 x 95	260-320 mm		9248.1011.4	
	ø55/3.5 x 35	120-179 mm		9248.1006.4	9248.1006.4
	ø55/3.5 x 65	180-240 mm		9248.1010.4	9248.1010.4
	ø55/3.5 x 95	240-300 mm		9248.1011.4	9248.1011.4
15	ø53			9244.2532.3	9244.2532.3
16	EHF/EMFE 50	9247.1012.4			
	EHF/EMFE 150		9248.1013.4		
	EHF/EMFE 300			9249.1004.4	
	EHF/EMFE 500				9249.1006.4

		EHF 50	EHF 150	EHF 300	EHF 500
401		9247.1001.3	9248.1001.3	9249.1001.3	9249.1001.3
402	50-99 mm	B=31	9247.1002.3		
	100-149 mm	B=81	9247.1003.3		
	150-199 mm	B=131	9247.1004.3		
	200-240 mm	B=178	9247.1005.3		
	76-139 mm	B=40		9248.1002.3	
	140-199 mm	B=106		9248.1003.3	
	200-259 mm	B=166		9248.1004.3	
	260-320 mm	B=226		9248.1005.3	
	56-119 mm	B=40		9248.1002.3	9248.1002.3
	120-179 mm	B=106		9248.1003.3	9248.1003.3
	180-240 mm	B=166		9248.1004.3	9248.1004.3
	240-300 mm	B=226		9248.1005.3	9248.1005.3

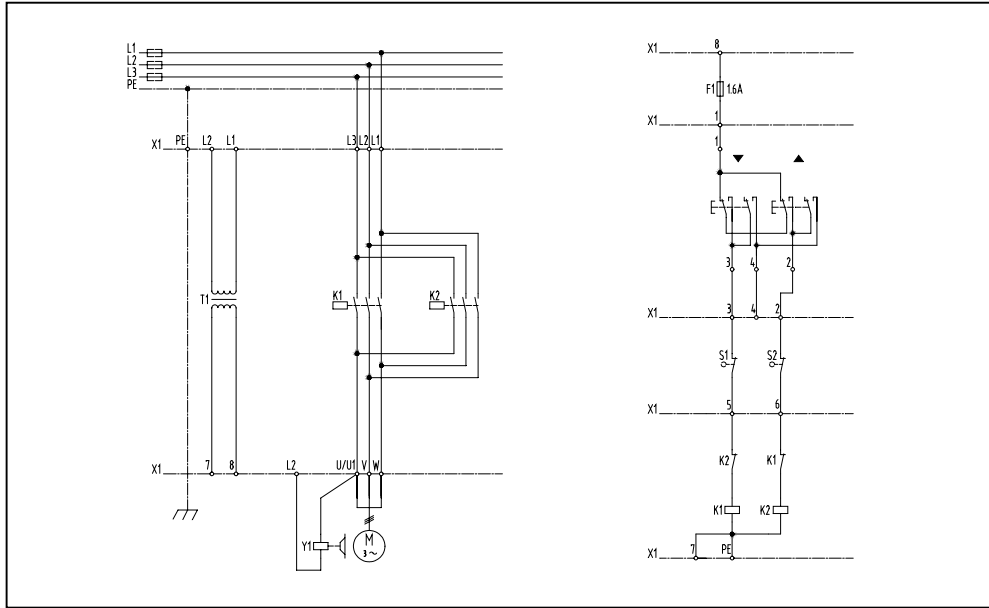
		EMFE 50	EMFE 150	EMFE 300	EMFE 500
1	M6 x 16 VZ	9030.5262	9030.5262		
	M6 x 20 VZ			9030.5263	9030.5263
2	M6 VZ	9031.3903	9031.3903	9031.3903	9031.3903
3	EMFE 50	9247.2000.3			
	EMFE 150		9248.2000.2		
	EMFE 300			9249.2000.2	
	EMFE 500				9249.2000.2
4	35 x 1.5	0031.1116			
	47 x 1.75		0031.1122		
	62 x 2			0031.1127	0031.1127
5	6202-2Z	0038.1124			
	6204-2Z		0038.1126		
	6206-2Z			0038.1128	0038.1128
6	M10 x 25 VZ	9030.0295	9030.0295	9030.0295	
7	M10 VZ	9031.3801	9031.3801	9031.3801	
8	EHF 50	9247.1000.1			
	EHF 150		9248.1000.1		
	EHF 300			9249.1000.1	
	EHF 500				9249.1000.1
9	No. 2	9243.2743.3	9243.2743.3	9243.2743.3	
10	M16	9031.1576			
	M24		9031.1577	9031.1577	9031.1577
11	M16	9031.0627			
	M24		9031.0628	9031.0628	9031.0628
12	ø17/30 x 3	9031.3219			
	ø24.5/44 x 3		9248.1008.4	9248.1008.4	9248.1008.4
13	ø17/40 x 1.6	9031.3218			
	ø25/60 x 3		9031.3220	9031.3220	9031.3220
14	ø45/3 x 26 100-149 mm	9247.1006.4			
	ø45/3 x 51 150-199 mm	9247.1009.4			
	ø45/3 x 74 200-240 mm	9247.1010.4			
	ø55/3.5 x 35 140-199 mm		9248.1006.4		
	ø55/3.5 x 65 200-259 mm		9248.1010.4		
	ø55/3.5 x 95 260-320 mm		9248.1011.4		
	ø55/3.5 x 35 120-179 mm			9248.1006.4	9248.1006.4
	ø55/3.5 x 65 180-240 mm			9248.1010.4	9248.1010.4
	ø55/3.5 x 95 240-300 mm			9248.1011.4	9248.1011.4
15	ø53			9244.2532.3	9244.2532.3
16	EHF/EMFE 50	9247.1012.4			
	EHF/EMFE 150		9248.1013.4		
	EHF/EMFE 300			9249.1004.4	
	EHF/EMFE 500				9249.1006.4
20	70 x 70 x 1	9243.2599.4	9243.2599.4	9243.2599.4	9243.2599.4
21	M5 x 20 VZ	9030.8013	9030.8013	9030.8013	9030.8013
22	195 x 165 x 1	9243.2711.3	9243.2711.3	9243.2711.3	9243.2711.3
23	M5 x 10 VZ	9030.8014	9030.8014	9030.8014	9030.8014
25	PG7	9055.3001	9055.3001	9055.3001	9055.3001
	PG16	9055.3010	9055.3010	9055.3010	9055.3010
26	PG7	9055.3500	9055.3500	9055.3500	9055.3500
	PG16	9055.3504	9055.3504	9055.3504	9055.3504
27	M4 x 12 VZ	0030.3451	0030.3451	0030.3451	0030.3451
28	M4 VZ	9031.3901	9031.3901	9031.3901	9031.3901
29	M4 MS	0031.0095	0031.0095	0031.0095	0031.0095
30	Typ 56	9058.0007	9058.0007	9058.0007	9058.0007
31	M4 x 12 VZ	0030.3451	0030.3451	0030.3451	0030.3451
32	98 x 112 x 2	9038.4004	9038.4004	9038.4004	9038.4004
33	Art. 18508	9058.0006	9058.0006	9058.0006	9058.0006
35	B9-63/71	9058.0251	9058.0251	9058.0251	9058.0251
36	M4 x 20 VZ	9030.3256	9030.3256	9030.3256	9030.3256
37	PG13	9055.3503	9055.3503	9055.3503	9055.3503
38	M4 x 45 VZ	0030.9287	0030.9287	0030.9287	0030.9287
39		9031.3205	9031.3205	9031.3205	9031.3205
40	M5 x 20 VZ	9030.0263	9030.0263	9030.0263	9030.0263
41	M5 VZ	9031.3902	9031.3902	9031.3902	9031.3902
42		9247.2006.3	9247.2006.3	9247.2006.3	9247.2006.3
43	220/380/420V, 1t D=62 L=50	9245.1100.4	9245.1100.4	9245.1100.4	9245.1100.4
	220/240V, 2t D=70 L=65	9245.1300.4	9245.1300.4	9245.1300.4	9245.1300.4
	380/420V, 2t D=70 L=65	9245.1301.4	9245.1301.4	9245.1301.4	9245.1301.4
44	15 x 1	0031.1009	0031.1009	0031.1009	0031.1009
45	6202-2Z	0038.1124	0038.1124	0038.1124	0038.1124
46	5 x 5 x 10	0036.0010	0036.0010	0036.0010	0036.0010
47	6002-LLU	0038.1075	0038.1075	0038.1075	0038.1075
		9247.2004.3	9247.2004.3	9247.2004.3	9247.2004.3
48	M5 x 35 VZ	9030.5257	9030.5257	9030.5257	9030.5257
50	SF 67 x 18	9247.2010.4	9247.2010.4	9247.2010.4	9247.2010.4
	N / NF 72 x 18	9243.2572.4	9243.2572.4	9243.2572.4	9243.2572.4
51	5 x 5 x 15	9036.0001	9036.0001	9036.0001	9036.0001
52		9243.2571.4	9243.2571.4	9243.2571.4	9243.2571.4
53		9247.2005.3	9247.2005.3	9247.2005.3	9247.2005.3
54	M5 x 16 VZ	9030.0262	9030.0262	9030.0262	9030.0262
55	1.6A	9052.0010	9052.0010	9052.0010	9052.0010
56	220/230/42V 50Hz	9056.4500.4	9056.4500.4	9056.4500.4	9056.4500.4
	380/420/42V 50/60Hz	9056.4501.4	9056.4501.4	9056.4501.4	9056.4501.4
57	6002	0038.1033	0038.1033	0038.1033	0038.1033

		EMFE 50	EMFE 150	EMFE 300	EMFE 500
400		9247.2001.3	9248.2001.3	9249.2001.3	9249.2001.3
401		9247.1001.3	9248.1001.3	9249.1001.3	9249.1001.3
402	50-99 mm B=31	9247.1002.3			
	100-149 mm B=81	9247.1003.3			
	150-199 mm B=131	9247.1004.3			
	200-240 mm B=178	9247.1005.3			
	76-139 mm B=40		9248.1002.3		
	140-199 mm B=106		9248.1003.3		
	200-259 mm B=166		9248.1004.3		
	260-320 mm B=226		9248.1005.3		
	56-119 mm B=40			9248.1002.3	9248.1002.3
	120-179 mm B=106			9248.1003.3	9248.1003.3
	180-240 mm B=166			9248.1004.3	9248.1004.3
	240-300 mm B=226			9248.1005.3	9248.1005.3
403	N D=61.4 L=50	9247.2012.3	9247.2012.3	9247.2012.3	9247.2012.3
	NF D=69.4 L=65	9247.2014.3	9247.2014.3	9247.2014.3	9247.2014.3
	SF D=69.4 L=65	9247.2015.3	9247.2015.3	9247.2015.3	9247.2015.3
404	1T 220-240/42V NA	9245.3601.2	9245.3601.2	9245.3601.2	9245.3601.2
	1T 380-420/42V NA	9245.3600.2	9245.3600.2	9245.3600.2	9245.3600.2
	2T 220-240/42V NA	9245.3701.2	9245.3701.2	9245.3701.2	9245.3701.2
	2T 380-420/42V NA	9245.3700.2	9245.3700.2	9245.3700.2	9245.3700.2
405	SF	9247.2019.3	9247.2019.3	9247.2019.3	9247.2019.3
	N / NF	9247.2020.3	9247.2020.3	9247.2020.3	9247.2020.3
406	8 x 1 mm ² x 1350 mm	9243.2728.4	9243.2728.4	9243.2728.4	9243.2728.4
407	100-150V 50/60Hz	9245.4013.4	9245.4013.4	9245.4013.4	9245.4013.4
	151-240V 50/60Hz	9245.4012.4	9245.4012.4	9245.4012.4	9245.4012.4
	241-300V 50/60Hz	9245.4014.4	9245.4014.4	9245.4014.4	9245.4014.4
	301-500V 50/60Hz	9245.4011.4	9245.4011.4	9245.4011.4	9245.4011.4
	501-690V 50/60Hz	9245.4017.4	9245.4017.4	9245.4017.4	9245.4017.4
408		9243.2737.4	9243.2737.4	9243.2737.4	9243.2737.4
409	PMB 400, 100-240V 50/60Hz	9245.4016.4	9245.4016.4	9245.4016.4	9245.4016.4
	PME 500, 241-500V 50/60Hz	9245.4015.4	9245.4015.4	9245.4015.4	9245.4015.4
	PME 600, 501-690V 50/60Hz	9245.4018.4	9245.4018.4	9245.4018.4	9245.4018.4
410		9243.2736.4	9243.2736.4	9243.2736.4	9243.2736.4
411	8 x 1 mm ² x 1200 mm				9249.2005.4

Hubwerk Hoist Palan Paranco	Fahrwerk mit Not-Aus Travelling gear with emergency stop Chariot translateur avec marche-arrêt Carrello di traslazione con dispositivo di emergenza	Beschreibung	Description	Description	Designazione
F1	F4	Steuersicherung	Control fuse	Fusible de commande	Fusibili
K1	K41	Schütz ab; links	Contacteur down; left	Contacteur descendant; gauche	Contatto discesa; sinistro
K2	K42	Schütz auf; rechts	Contacteur up; right	Contacteur montant; droite	Contatto salita; destro
K3	K43	Umschalterschütz	Reversing contactor	Contacteur d'inversion	Contatto di inversione
K5	K45	Not-Aus-Schütz	Emergency stop contactor	Contacteur marche-arrêt	Contatto disp. di emergenza
L1, L2, L3	L1, L2, L3	Zuleitung	Power supply	Alimentation électrique	Alimentazione elettrica
-	L1A, L2A, L3A	Zuleitung nach Not-Aus	Power supply to emergency stop	Alimentation électrique pour le marche-arrêt	Alimentazione elettrica per dispositivo di emergenza
N	-	Nulleiter	Neutral	Neutre	Neutro
Na	-	Nulleiter nach Not-Aus	Neutral to emergency stop	Neutre pour le marche-arrêt	Neutro per disp. di emergenza
NA	NA	Not-Aus	Emergency stop	Marche-arrêt	Dispositivo di emergenza
PE	PE	Erdung	Earth	Mise à la terre	Terra
S1	-	Endschalter ab	Limit switch down	Fin de course descendant	Fine corsa di discesa
S2	-	Endschalter auf	Limit switch up	Fin de course montant	Fine corsa di salita
S10	-	Fliehkraftschalter	Centrifugal switch	Interrupteur centrifuge	Interruttore centrifugo
T1	T40	Steuertransformator	Control transformer	Transformateur de commande	Trasformatore di comando
U, V, W	U, V, W	Motor langsam oder 1-tourig	Motor slow speed or 1-speed	Moteur lent ou 1 vitesse	Motore lento o 1 velocità
U1, V1, W1	U1, V1, W1	Motor schnell	Motor fast speed	Moteur rapide	Motore a velocità rapida
X1	-	Klemmenleiste	Terminal strip	Barrette de raccordement	Barretta di fissaggio
X1	-	Klemmenleiste	Terminal strip	Barrette de raccordement	Barretta di fissaggio
X2	X40	Klemmenleiste	Terminal strip	Barrette de raccordement	Barretta di fissaggio
X2	X41	Klemmenleiste	Terminal strip	Barrette de raccordement	Barretta di fissaggio
X3	-	Klemmenleiste	Terminal strip	Barrette de raccordement	Barretta di fissaggio
Y1	Y4	Bremse	Brake	Frein	Freno
1	41	Phase Steuerung	Control phase	Phase commande	Comando di fase
2	42	Auf bzw. rechts	Up resp. right	Montant resp. droite	Salita oppure destro
3	43	Ab bzw. links	Down resp. left	Descendant resp. gauche	Discesa oppure sinistro
4	44	Schnell	Fast speed	Rapide	Velocità rapida
5	-	Endschalter ab	Limit switch down	Fin de course descendant	Fine corsa di discesa
6	-	Endschalter auf	Limit switch up	Fin de course montant	Fine corsa di salita
7	47	Steuertransformator	Control transformer	Transformateur de commande	Trasformatore di comando
8	48	Steuertransformator	Control transformer	Transformateur de commande	Trasformatore di comando
9	49	Bremse mit Not-Aus	Brake with emergency stop	Frein avec marche-arrêt	Freno con disp. di emergenza
10	50	Not-Aus	Emergency stop	Marche-arrêt	Dispositivo di emergenza
11	-	Kondensator	Condenser	Condensateur	Condensatore
12	-	Fliehkraftschalter	Centrifugal switch	Interrupteur centrifuge	Interruttore centrifugo

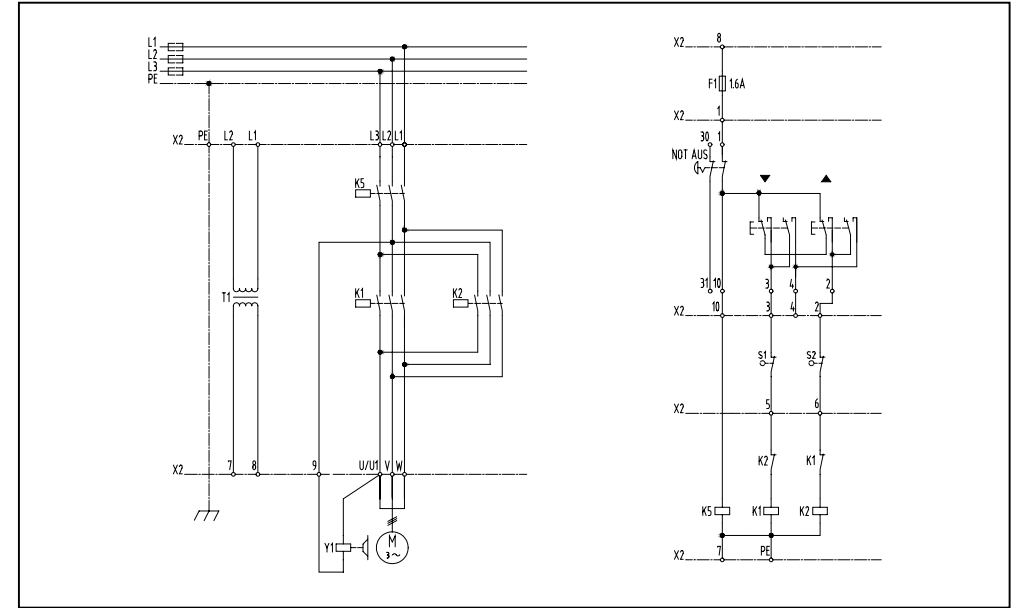
EM; EME; EMS; EMK; EMR; EMH -N; -S

3 Ph 9215.9500.2



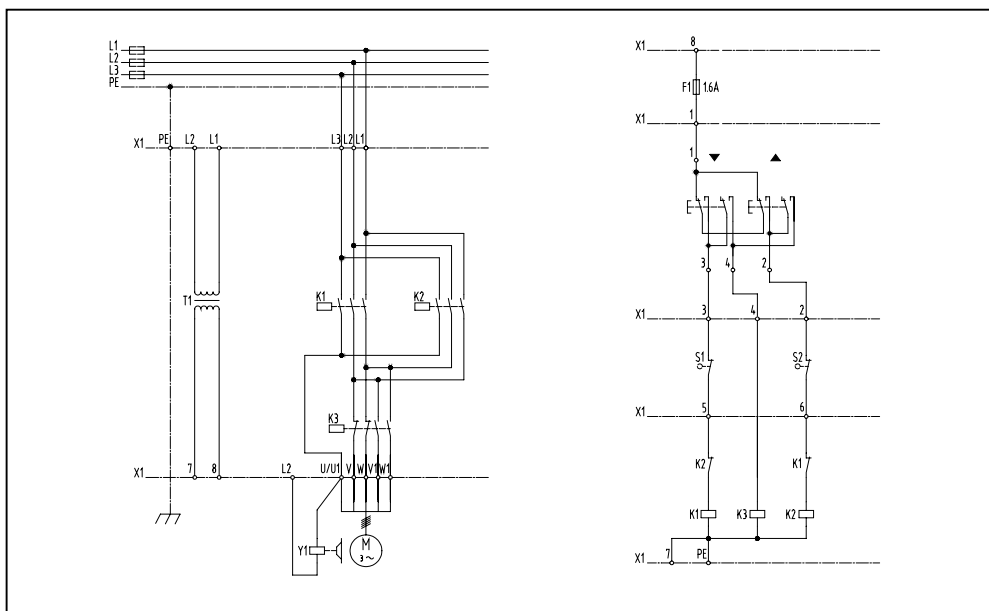
EM; EME; EMS; EMK; EMR; EMH -N; -S; + NA

3 Ph 9215.9503.2



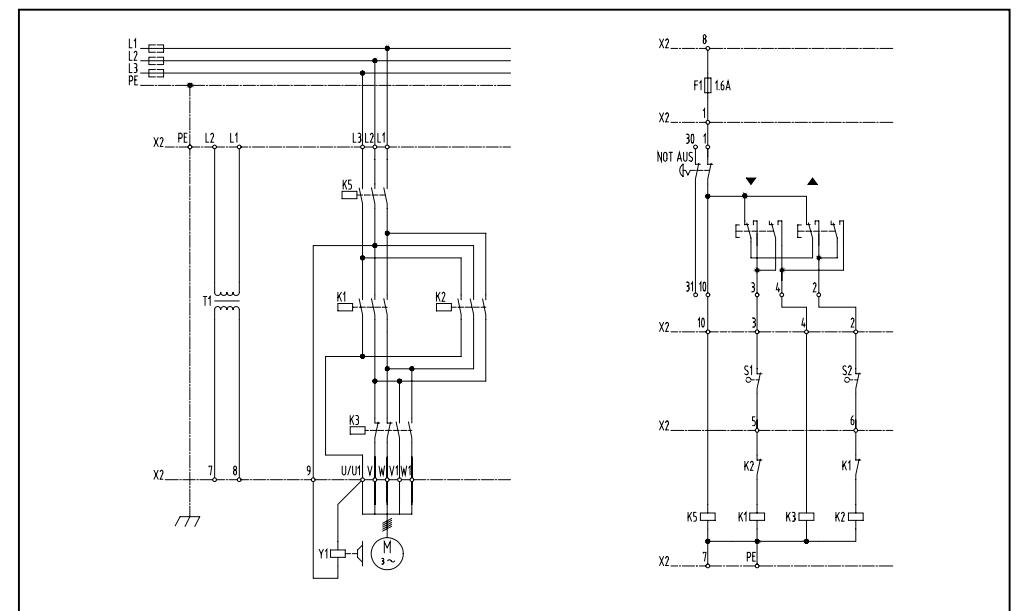
EM; EME; EMS; EMK; EMR; EMH -NF; -SF

3 Ph 9215.9501.2



EM; EME; EMS; EMK; EMR; EMH -NF; -SF; + NA

3 Ph 9215.9504.2

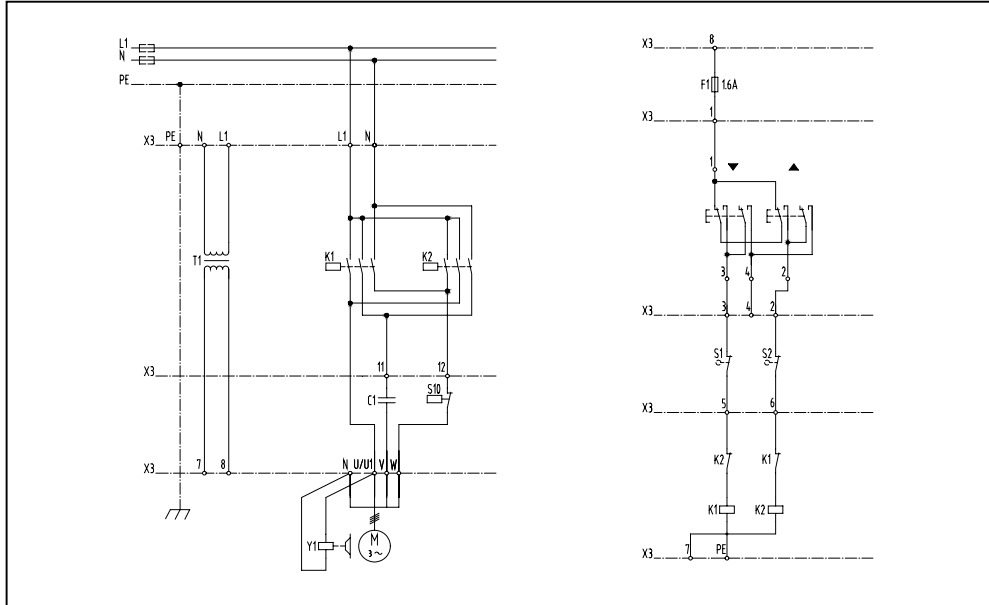


EM

-N

1 Ph

9215.9502.2

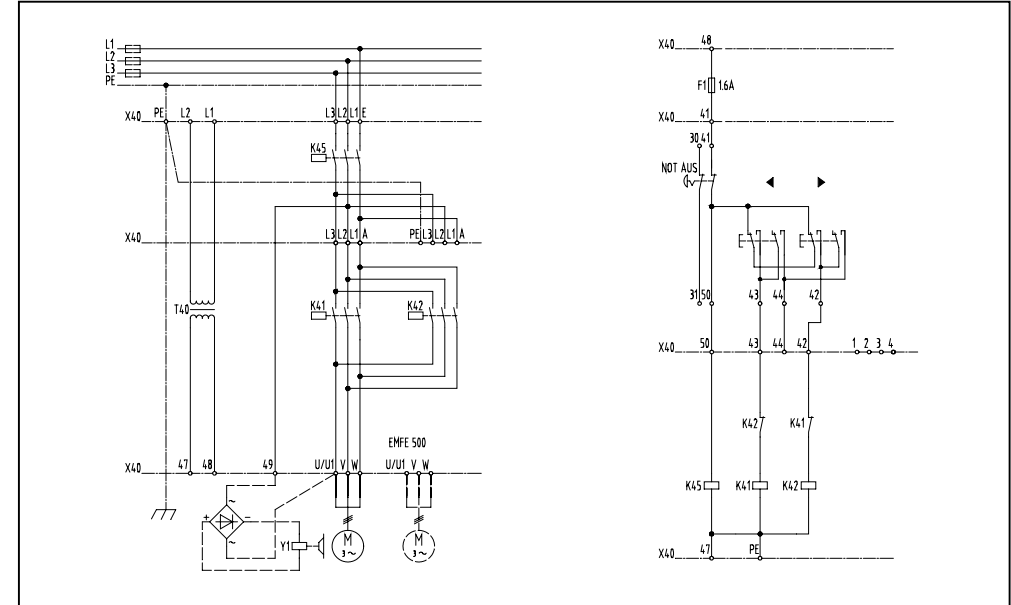


EMFE; SA

-N; -S; + NA

3 Ph

9243.9502.2

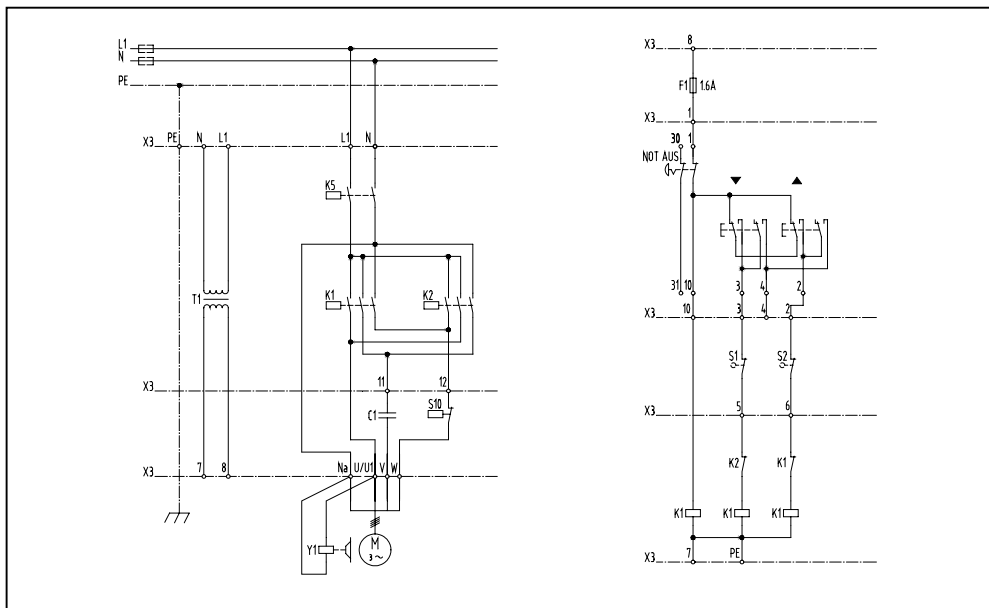


EM

-N + NA

1 Ph

9215.9505.2



EMFE; SA

-NF; -SF; + NA

3 Ph

9243.9503.2

