

# AUTOMATIC SOAP DISPENSER L5 PLUS

Non Contact & Induction  
Liquid Output

Floor standing | Wall mounted | Desktop

Spray | Foam | Gel



1100ml



Temperature  
Measuring



Rotary  
thermometer



Intelligent  
Sensing



Voice  
Broadcasting





# CONTACTLESS HEALTHIER

Inductive Output & Intelligent  
Life & Safety Protection to  
Avoid Contact Infection



# OUTPUT WITH TWO GEARS TO AVOID WASTE

Appropriate amount of foam to bring comfortable experience



## First Gear

Gel: 0.6ml

Spray: 0.4ml

Foam: 0.5ml



## Second Gear

Gel: 1.0ml

Spray: 0.6ml

Foam: 0.8ml



# TWO METHODS OF TEPERATURE MEASUREMENT

---

The forehead thermometry was used as the standard temperature measurement way, and the hand temperature measurement was used as the auxiliary way.  
Forehead distance: 3cm-5cm



(10)



Forehead  
Thermometry



Hand Temperature  
Measurement

# ROTATING TEMPERATURE MEASURING

20° Rotation Temperature Measurement, Humanized appearance design, brief appearance and quality guarantee.



Rotary Thermometer



# EXCELLENT PERFOR- MANCE LITHIUM BATTERY DURABLE LOW ENERGY CONSUMPTION

Recyclable charging which keep battery  
life long. Energy saving & Environmen-  
tal-friendly Economical & Durable



Type-C Interface  
Recycle Charging



# MULTI-LANGUAGE VOICE BROADCASTING | ACCURATE IDENTIFICATION

Quickly identify hyperthermia people



Outlet Nozzle



1100ml Capacity



Temperature Display

The temperature can display fahrenheit and centigrade



Visible Window





# APPLICATION METHOD

Humanized appearance design,  
brief appearance and quality  
guarantee.



Floor standing



Wall mounted



Desktop

# OUTFLOW MODEL

Type of sterilizer: Spray dispenser; Gel dispenser;  
Foam dispenser.



Spray



Foam



Gel

# APPLICATION SCENARIOS

Human body temperature detection in all kinds of public places, automatic hand disinfection.



School



Hospital



Restaurant



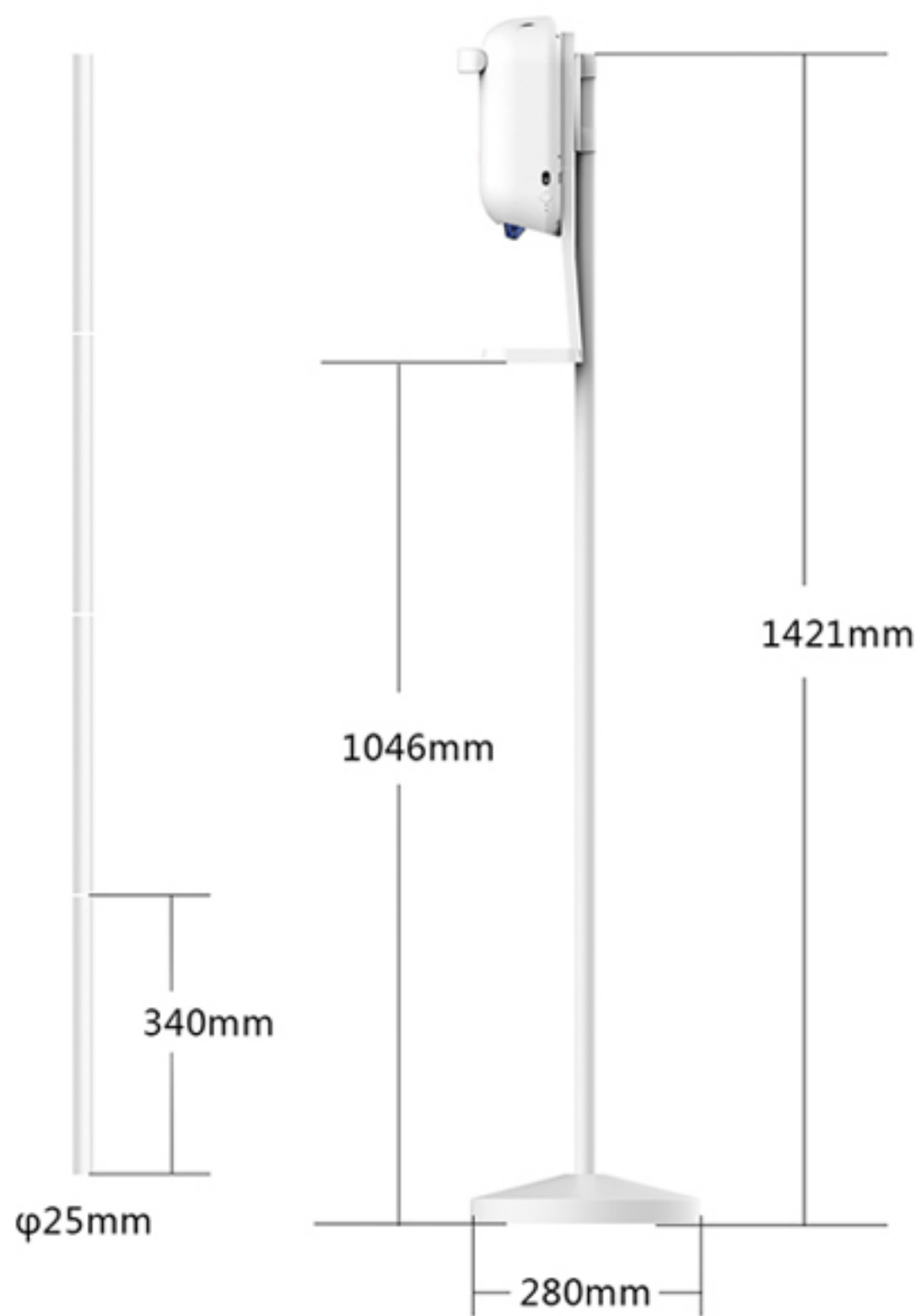
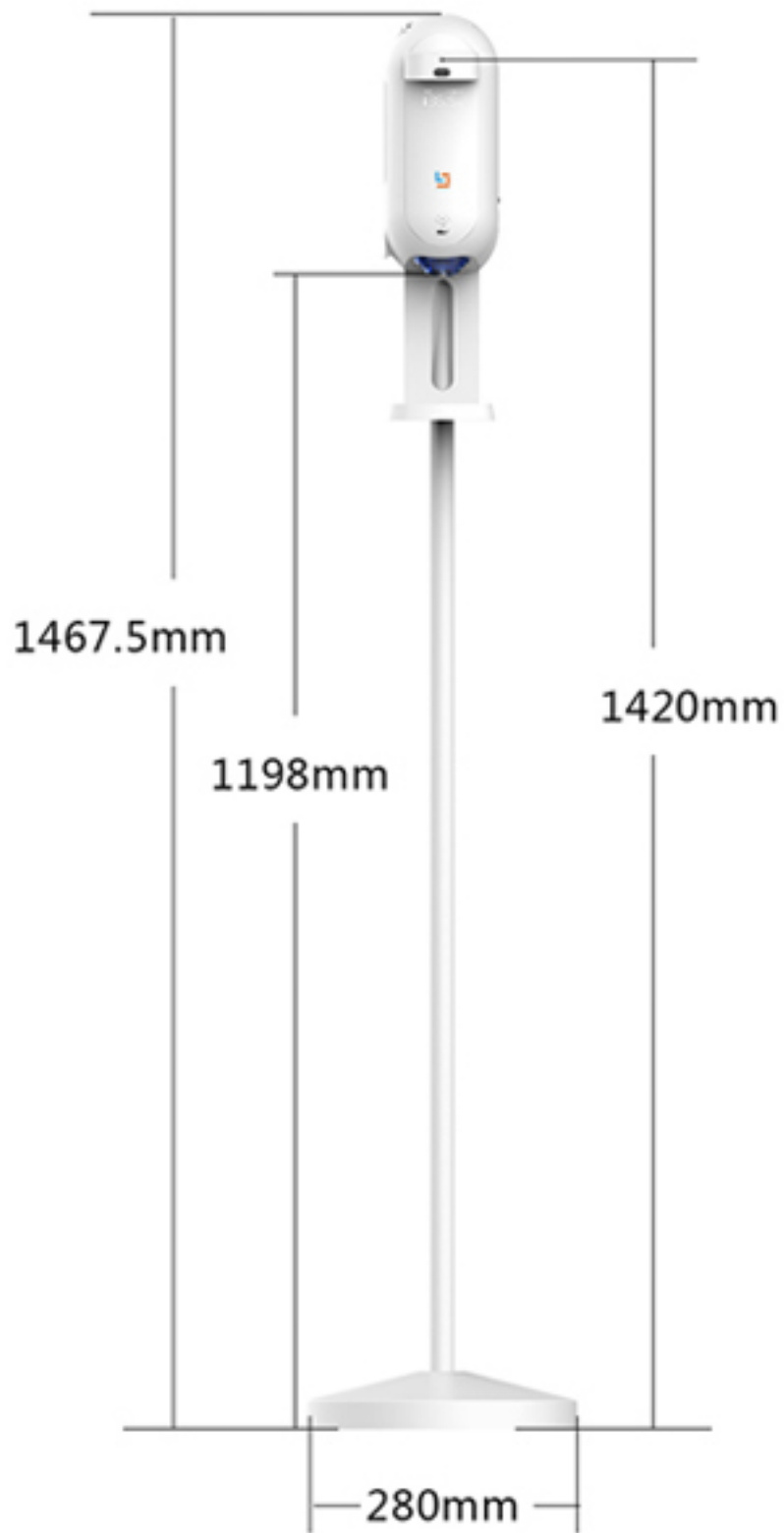
Office



WIDELY  
USED

# PRODUCT PARAMETER





<b>Model</b>	L5 PLUS
<b>Working Voltage</b>	DC5V±10%
<b>Type of sterilizer</b>	Gel, Spray, Foam (these three types of nozzles can be replaced)
<b>Output with Two Gears</b>	Gel: 0.6ml/1.0ml Spray: 0.4ml/0.6ml Foam: 0.5ml/0.8ml
<b>Display</b>	LED Digital Display
<b>Measuring Range</b>	32°C—45°C (non medical product function)
<b>Temperature Measurement Accuracy</b>	Accuracy: ±0.3°C Forehead Distance: 3CM—5CM
<b>Temperature Measuring Methods</b>	Main: Forehead Thermometry Auxiliary:Hand Temperature Measurement
<b>Temperature Sensor Adjustable Angle</b>	Angle adjustment range of temperature measurement module:20 degrees
<b>Temperature Measurement Display &amp; Broadcast Tips</b>	1. When the temperature is less than 32 °C, the display screen shows "Lo" without voice broadcast
	2. When the temperature shows 32 °C -- 35.8 °C, the display screen displays "pass" voice broadcast: "normal temperature"
	3. When the temperature shows 35.9 °C -- 37.2 °C, the display screen displays the normal temperature value, and the voice broadcast: "normal temperature"
	4. When the temperature is higher than 37.2 °C, the display screen will display the normal temperature value and voice broadcast: "high temperature"

<b>Temperature Display Mode</b>	The temperature can display fahrenheit and centigrade.
<b>Temperature Calibration Function</b>	It can be used for temperature calibration of products with slight temperature deviation (need professional maintenance personnel to operate)
<b>Spray mode</b>	Infrared sensing, strong anti-interference, not affected by skin color
<b>Margin Prompt Mode</b>	<ol style="list-style-type: none"> <li>1. There is a transparent bar with visible liquid level on the side of dispenser</li> <li>2. Indicator light symbol of low liquid level on display screen</li> </ol>
<b>Capacity</b>	1100ml Refillable Inner Bottle
<b>Spray Pump Nozzle</b>	300,000 times
<b>Power Supply</b>	USB type-C interface, Built in rechargeable battery
<b>Battery Charge Indication</b>	There is a warning prompt of insufficient power on the display screen
<b>Using Time</b>	Can spray more than 5,000 times
<b>Size</b>	118mm (wide) ×421.5mm (high) ×142mm (thick)
<b>Main material</b>	Shell: ABS,PC Inner shell: HDPE
<b>Installation</b>	Wall-mounted, Desktop, Vertical type