

AUTOMATIC SOAP DISPENSER L5

Non Contact & Induction

Liquid Output

Floor standing | Wall mounted | Desktop

Spray | Foam | Gel



1100ml



Intelligent Sensing



0.1s Output



Long Endurance





CONTACTLESS HEALTHIER

Inductive Output & Intelligent
Life & Safety Protection to
Avoid Contact Infection



OUTPUT WITH TWO GEARS TO AVOID WASTE

Appropriate amount of foam to bring comfortable experience



First Gear

Gel: 0.6ml

Spray: 0.4ml

Foam: 0.5ml



Second Gear

Gel: 1.0ml

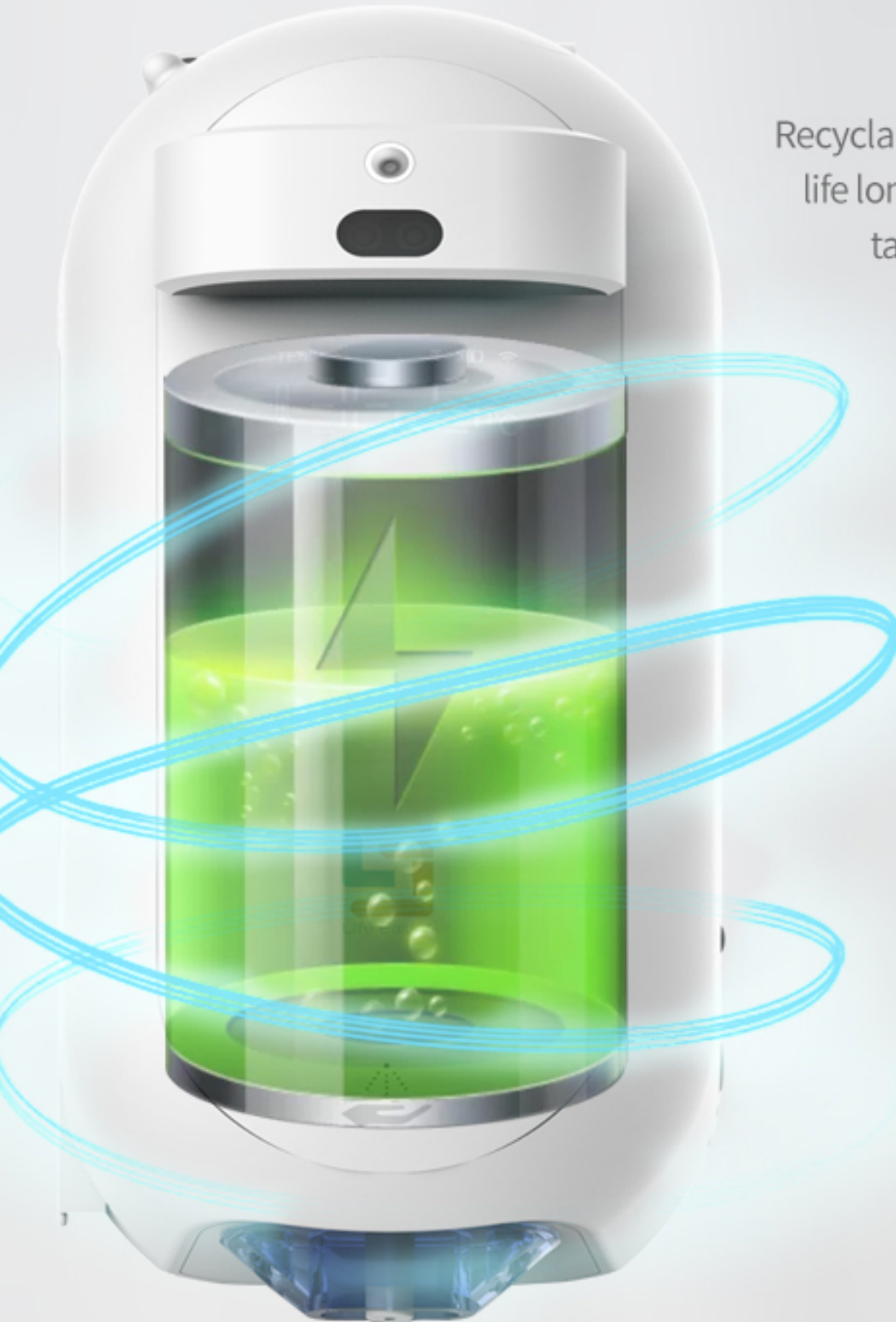
Spray: 0.6ml

Foam: 0.8ml



EXCELLENT PERFORMANCE LITHIUM BATTERY DURABLE LOW ENERGY CONSUMPTION

Recyclable charging which keep battery
life long. Energy saving & Environmen-
tal-friendly Economical & Durable



Type-C Interface
Recycle Charging



Outlet Nozzle



1100ml Capacity



Temperature Calibration



Visible Window



APPLICATION METHOD

Humanized appearance design,
brief appearance and quality
guarantee.



Floor standing



Wall mounted



Desktop

OUTFLOW MODEL

Type of sterilizer: Spray dispenser; Gel dispenser;
Foam dispenser.



Spray



Foam



Gel

APPLICATION SCENARIOS



School



Hospital



Restaurant



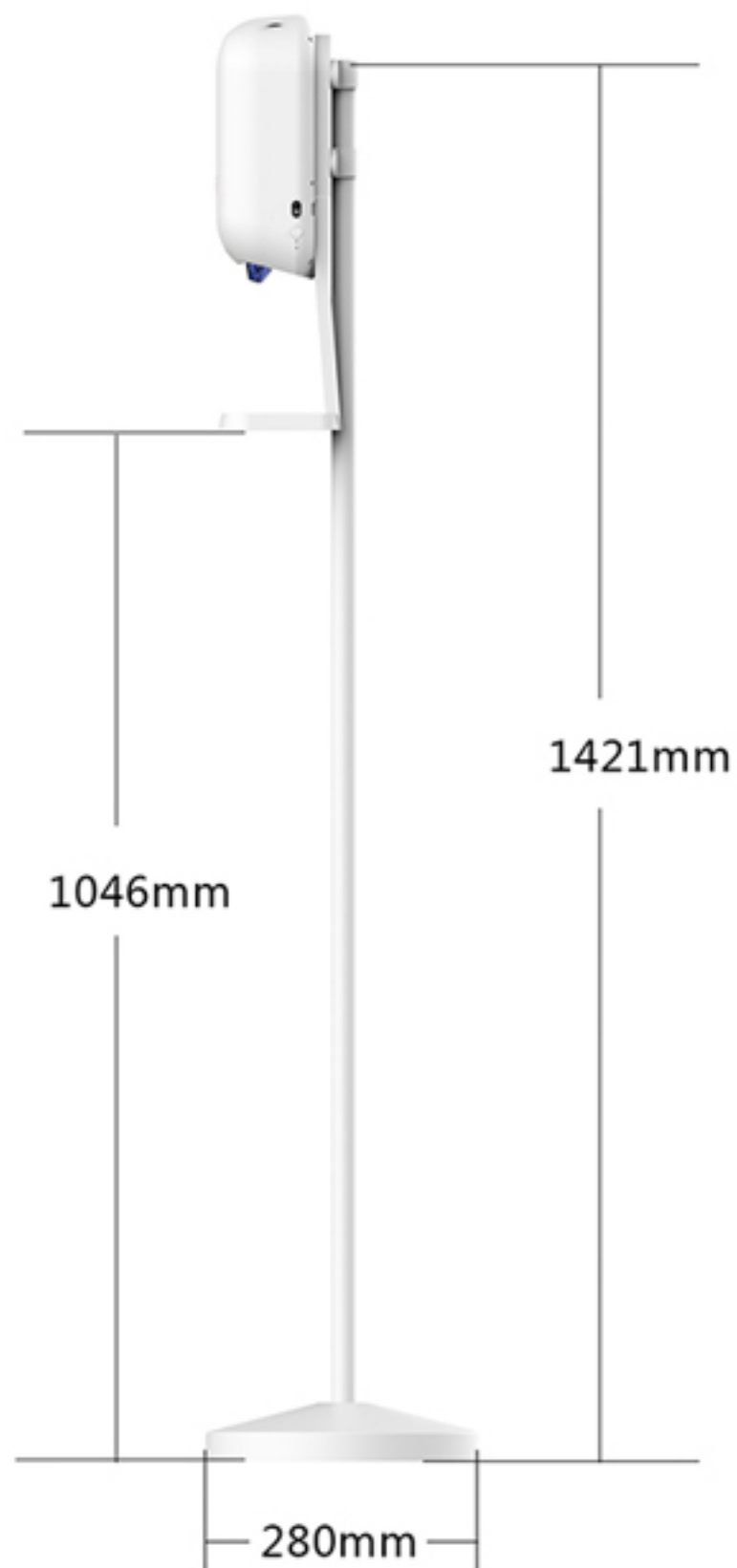
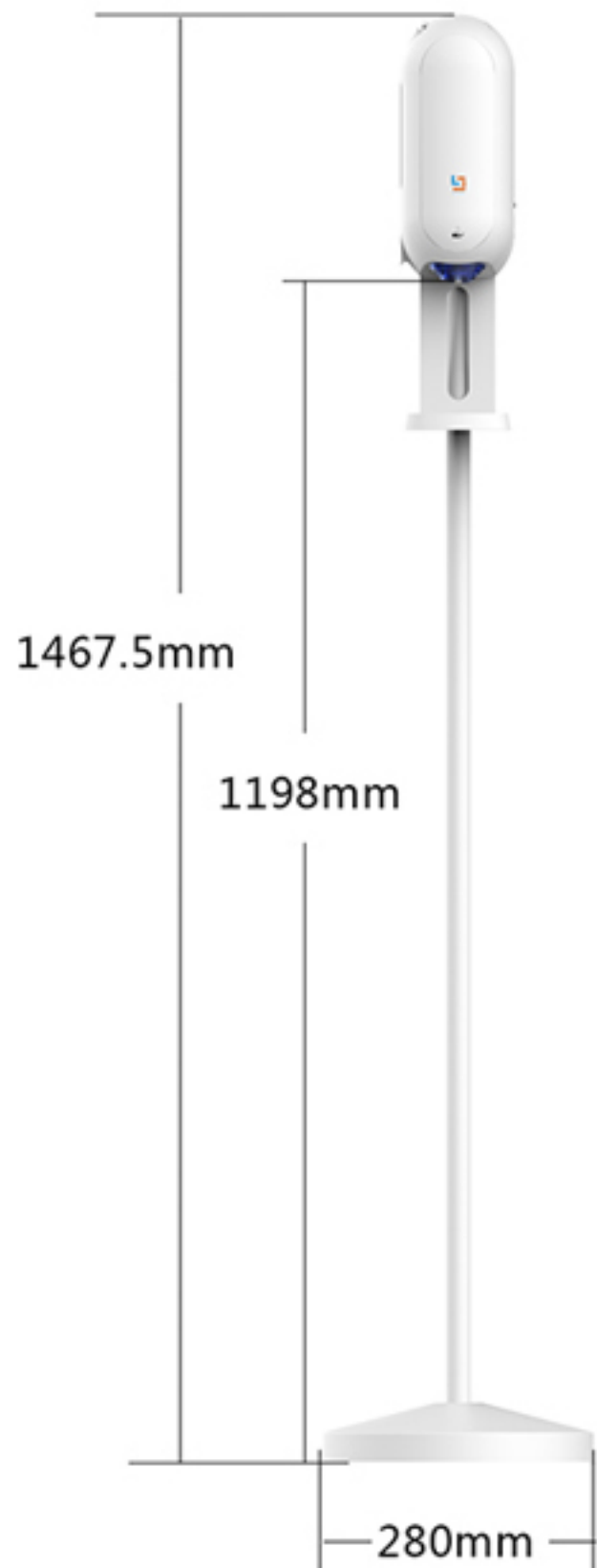
Office



WIDELY
USED

PRODUCT PARAMETER





Model	L5
Working Voltage	DC5V \pm 10%
Type of sterilizer	Gel, Spray, Foam (these three types of nozzles can be replaced)
Output with Two Gears	Gel: 0.6ml/1.0ml Spray: 0.4ml/0.6ml Foam: 0.5ml/0.8ml
Spray mode	Infrared sensing, strong anti-interference, not affected by skin color
Margin Prompt Mode	There is a transparent liquid level visual window on the side of dispenser
Capacity	1100ml Refillable Inner Bottle
Spray Pump Nozzle	300,000 times
Power Supply	USB type-C interface, Built in rechargeable battery
Using Time	Can spray more than 5,000 times
Size	118mm (wide) \times 421.5mm (high) \times 125mm (thick)
Main material	Shell: ABS ,PC Inner shell: HDPE
Installation	Wall-mounted, Desktop, Vertical type