



U+4 Hardware Notes

Power

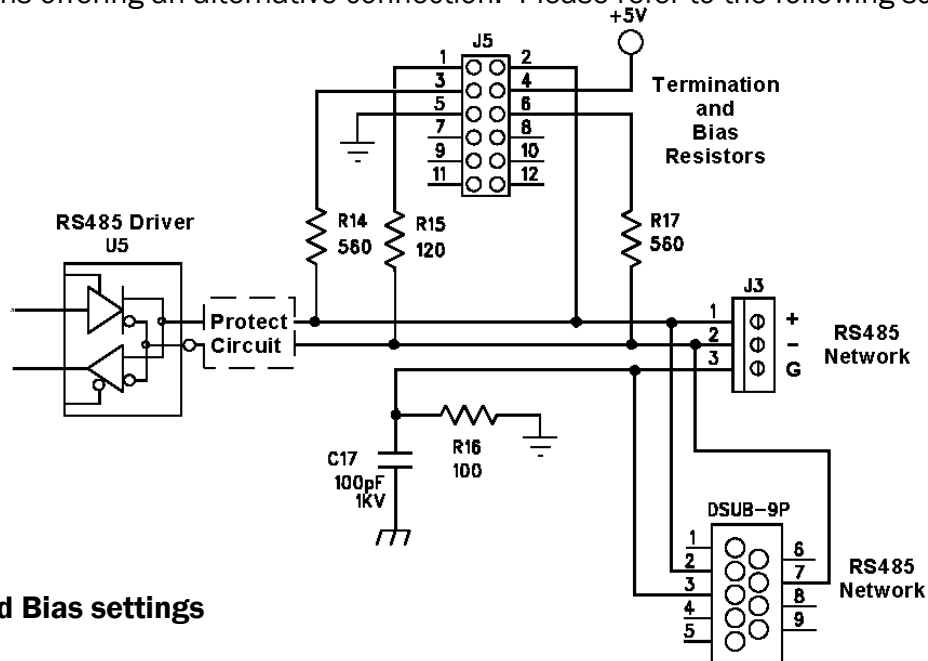
The U+4 is powered by the USB port and does not require a separate power supply. Proper power will be indicated by the Power LED indicator being on.

Data

The Data LED will indicate any read or write operation within the unit (activity on the network).

RS485 Connection

The back panel of the U+4 interface has two connectors. The three conductor screw terminal allows connection of the RS485 network using industrial connectors, and the 9 pin D is merely in parallel with these connections offering an alternative connection. Please refer to the following schematic.



Termination and Bias settings

Inside the U+4 unit is a header called J5 which lets you set termination or bias resistors into the network circuit. When jumpers are in positions 1-2, 3-4, and 5-6 then these resistors are in the circuit. NOTE: These are not in the circuit when delivered from the factory.