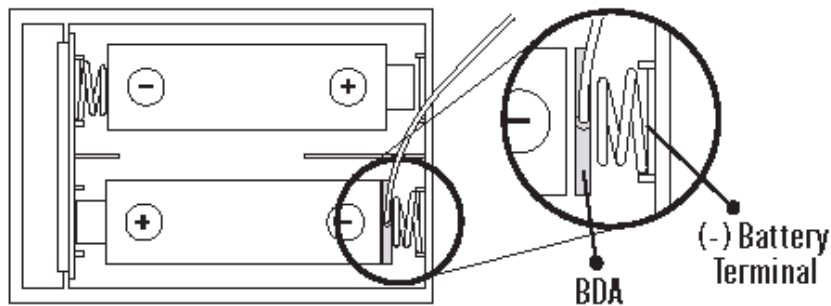


## To Use the Battery Device Adapter

1. Place the copper disk between the battery and the battery contact in the toy.



2. Remove a portion of the battery cover to allow the wire to fit through. Use a file to make a small notch in the battery compartment cover. Close the battery compartment cover.
3. Plug a switch into the Battery Device Adapter.
4. Turn the toy's on/off control to the "on" position. Now the switch can be used to turn the toy on or off.

## Troubleshooting

1. Test the toy that it will work with the interrupter. When the toy is in the on position and the battery is inserted does the toy start to work if so, then the adaptor will work. If the toy does not operate then the adaptor/switch will not activate the toy.
2. Check the batteries. Use fresh new batteries. Brand name batteries work the best. Rechargeable battery may not work well in these devices.
3. Check for corrosion. This will interfere with the flow of power from the battery.
4. Check for any loose wiring including battery adapters.

Toys that work best with the battery device adaptor are ones that have a single on/off button. Slow moving toys work best as they are less likely to damage the wires.