

Brailiant™ BI 40X

Getting Started Guide

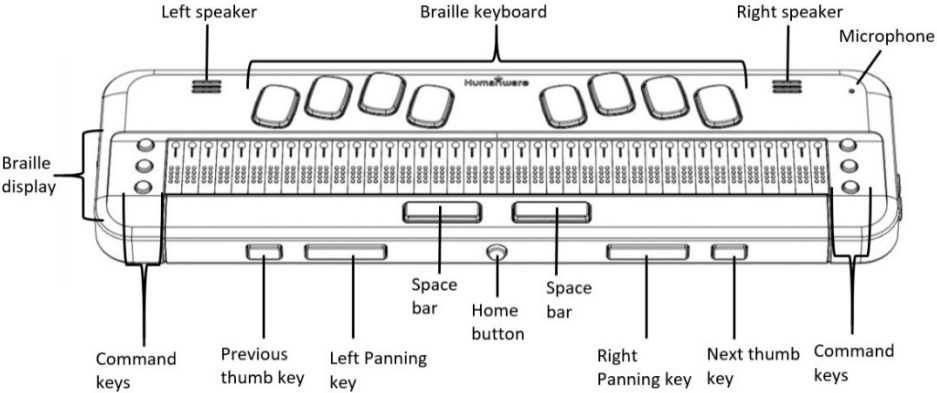


Humanware™

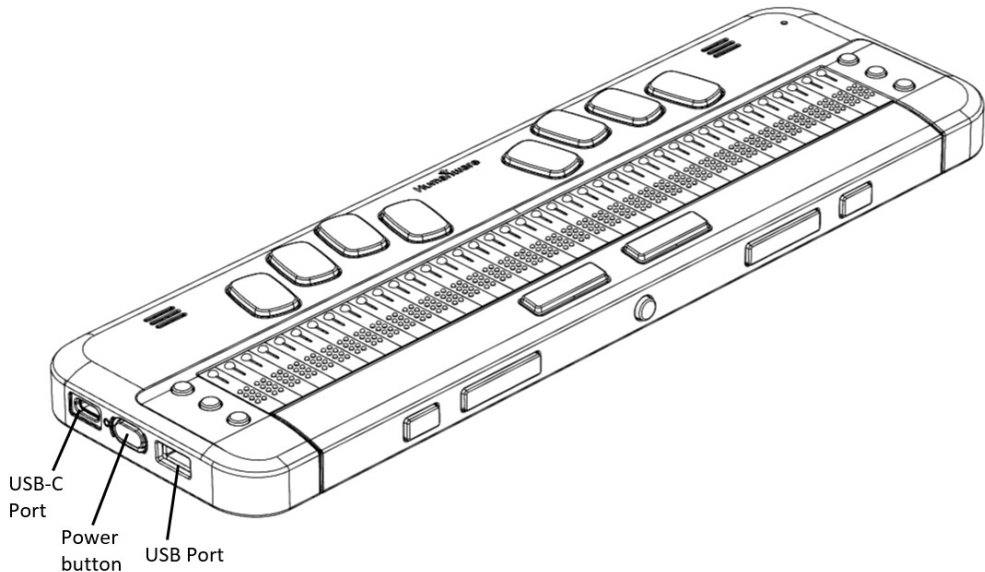
see things. differently.

1. Overview

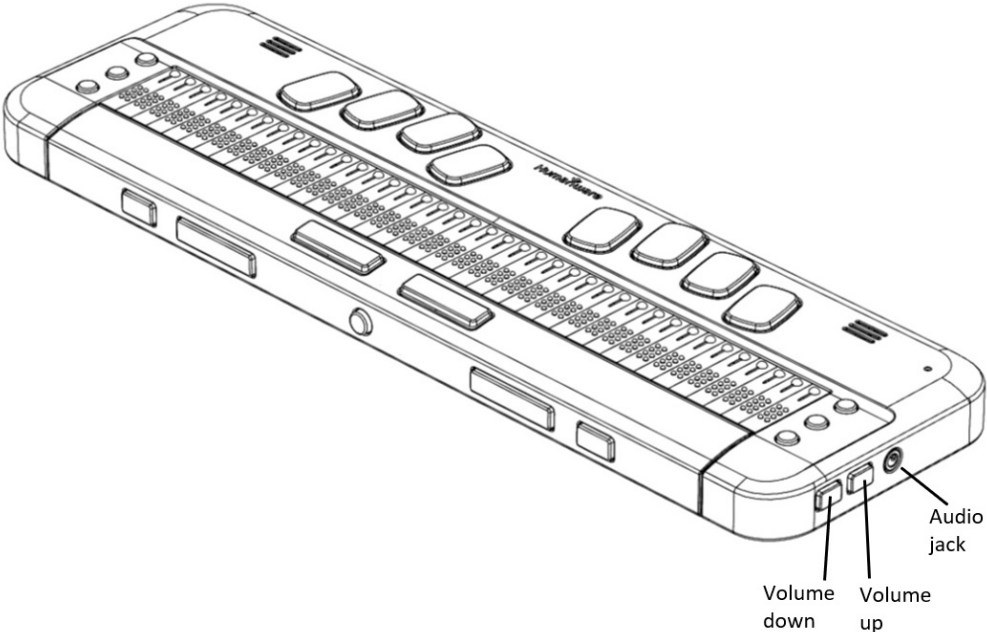
1.1. Front perspective view



1.2. Left side view



1.3. Right side view



2. Getting Started

Thank you for purchasing the Brailiant™ BI 40X refreshable braille display. This Getting Started Guide provides instructions for charging the device, orientation, powering on and off, navigating menus, panning text, using the Context Menu, and accessing the User Guide. For more information on how to use your Brailiant, please refer to the digital User Guide integrated in your device.

3. In the Box

- Brailiant™ BI 40X braille display
- USB-C to USB-A cable
- USB to AC adapter
- Print Getting Started Guide
- Carrying case

4. Orientation and Description

With the device on a flat surface in front of you, the proper operational orientation is with the braille cells closest to you.

4.1. Top surface

The top surface includes the braille display and the braille keyboard. Beginning with the braille cells (closest to you) and moving away from you are the small round Cursor Routing buttons, located just above the braille cells. You use the Routing buttons

to move the braille cursor when reading and editing and to activate items in a menu.

On both the left side and the right side of the Braille display are three Command Keys (six in total). On the left, starting from the back, are C1, C2 and C3, which is the one nearest you. On the right side, you will find C4, C5 and C6 nearest you. The command keys can be used to type Braille or perform commands. The commands depend on the screen reader paired with the device.

Continuing away from you, on a small rise in the surface is the braille keyboard. The layout of the keys for the braille keyboard is similar to most braille displays, with the traditional six Braille-input keys, a Backspace key (Dot 7), an Enter key (Dot 8), and two Space keys. There is a speaker on each side, for stereo sound, and an integrated microphone next to the right speaker (currently not active).

4.2. Front Edge

Along the front edge of the device (closest to you) are five controls. The two outermost rectangular buttons are the Previous and Next thumb keys and are used to move between items in a menu.

Moving inward along the front edge, are two more rectangular buttons called the Panning keys. These allow you to move to the previous and next 40-cell section of the text you are reading.

In the center of the front edge is the small, round Home key. Use this key to return to the Main Menu

at any time, as well as to exit the braille terminal when in Terminal mode.

4.3. Left Edge

On the left edge of the device, in order from front edge to back, are the following:

1. The USB-A port—used to connect a USB drive or other external USB storage device to the Brailiant.
2. The Power button—press and hold this button for 2 seconds to turn the device ON.
3. A small LED display—shows the status of your device.
4. The USB-C connector—used to connect the Brailiant to a host device or the AC adapter.

4.4. Right Edge

On the right edge, from front to back, are the Lanyard slot, the Speaker, Volume Down and Volume Up buttons, and the Audio jack (for future use).

5. Charging the Device

NOTE: Make sure to charge your Brailiant completely prior to use.

Connect the USB-C end of the USB cable to the USB-C port located on the left edge of your Brailiant. Very little effort is required and forcing the connection can damage the cable or the device.

Connect the other end of the USB cable to the power adapter. Then plug the power adapter into a power outlet. The USB connector and power adapter are included with your Brailiant. Use the provided power adapter for optimal recharge.

6. Powering On and Off

If your device is charged, press and hold the Power button on the left edge of the device for approximately 2 seconds to turn on your Brailiant. "Starting" should appear on the braille display with a tactile loading animation that circles during start-up.

A few moments after you boot your device for the first time, you will be welcomed with a language selection menu. Press Enter to open the list of languages, select one and press Enter to close the list. Close the dialog box once the changes are completed.

After a few seconds, loading is complete. The "terminal" application is shown as selected on the braille display. Your Brailiant is now ready for use.

To turn the device off, press and hold the Power button for 2 seconds.

7. Navigating Menus

KeySoft Lite is the heart of your Brailiant BI 40X, supporting all applications that are built in your braille display. KeySoft's main menu can also be

customized, which will allow you to hide and unhide applications from the Main menu.

To navigate from item to item in menus, press the Previous (leftmost) and Next (rightmost) thumb keys, located on the front edge of your device. As you press the Previous and Next thumb keys, the menu item changes on the braille display. Each item represents an application or option you can activate.

To activate a menu item, press one of the Cursor Routing keys. You can also press the **Enter** key (Dot 8) on the braille keyboard to activate a menu item.

8. Panning Text

Sometimes, sentences may exceed the 40 characters displayed on your Brailiant. To continue reading through the end of a sentence or backward towards the start of a sentence, use the Left and Right thumb keys immediately to the left and right of the **Home** button to pan text.

9. Using the Context Menu

The Context Menu is accessible from almost everywhere in your device. It offers useful contextual functions that are relevant to what you are currently doing on your Brailiant. This is similar to the Context menu on a PC. If you are looking for a specific action or shortcut, chances are you can find it in the Context Menu.

To activate the Context Menu, press Space + M (Dots 1, 3, 4). A menu opens with a list of actions you can perform at that moment. Scroll through this

menu until you find what you are looking for, then press Enter (Dot 8) or a Cursor Routing button.

10. Accessing the Built-in User Guide

Activate the built-in User Guide item from the Main menu. There you find the complete user guide along with a command reference. This is where to find the most up-to-date information, as well as other resources to help you make the most of your Brailliant BI 40X.

You can also download the user guide from the support page of <http://www.humanware.com>.

11. Brailliant Installation and connectivity

11.1. Interface Ports

Depending on the operating system, you can connect Brailliant via various interfaces to your PC. Use the USB port to communicate with PCs or Notebooks or the built-in Bluetooth interface for your mobile devices.

USB Port

USB connectivity is supported by Windows computers (32 and 64 bits).

Plug the USB Connector into your PC. Plug the small USB-C Plug at the other end of the USB cable into the Brailliant USB-C port. This is the small oval socket on the left side.

11.2. Connecting to a PC or Notebook

Brailliant can be used as a Braille display with popular PC screen readers such as JAWS, NVDA, SuperNova etc. The PC or Notebook must provide either USB or a wireless Bluetooth interface (built-in or by using a USB Bluetooth dongle).

JAWS

JAWS 2020 includes the necessary drivers to detect the Brailliant. If however, you are using JAWS 2018 or 2019 an installation driver is required. This can be obtained by visiting the support section at www.humanware.com

Other Screen Readers

Brailliant is compatible with other screen readers. Please consult our website's support page for additional information:

<http://www.humanware.com>

To connect in Terminal mode, make sure you have a Windows®, iOS®, or Mac® device with a screen reader running.

To connect via USB:

1. Press Space + Dots 1-2-3-4-5-6 or the Home button to enter the Main menu.
2. Go to Terminal by pressing 't' or by using the Previous and Next thumb keys.
3. Press Enter or a cursor routing key.
4. Connect the Brailliant to a Windows or Mac computer with the USB-C cable.

5. Select Connected devices (first item in the Terminal menu).
6. Press Enter.
7. Select USB connection.
8. Press Enter.
9. Wait for the connection to be established.

If the connection is successful, the content of your host device is shown on the braille display.

The Brailiant is now also available as an external keyboard to type on the host device.

Connection via Bluetooth

To pair a new device in Bluetooth:

1. Press Space + Dots 1-2-3-4-5-6 or the Home button to enter the Main menu.
2. Go to Terminal by pressing 't' or by using the Previous and Next thumb keys.
3. Press Enter or a cursor routing key.
4. Click Add Bluetooth device.

If Bluetooth is Off, it is automatically activated.

5. Read instructions on the display.
6. The focus returns to connected devices.
7. From the host device, initiate the Bluetooth pairing.
8. Once the connection is complete, press the Previous thumb key on the Brailiant until you reach Connected devices.
9. Press Enter or a cursor routing key.

The connected device appears in the list.

10. Press Enter or a cursor routing key.

11. Wait for the connection to be established.

If the connection is successful, the content of your host device is shown on the braille display.

The Brailiant is now also available as an external keyboard to type on the host device.

12. Manufacturer Warranty

This device is a high-quality product, built and packaged with care. All units and components are guaranteed against any operational defects for 2 years for all countries.

Warranty covers all parts (except battery) and labor. If any defect should occur, please contact your local distributor or the manufacturer technical assistance line.

Note: Warranty terms may periodically change, please consult our website for the latest information.

North America: In addition to the warranty, you can also purchase a Brailiant care plan to prolong coverage for one year and also benefit from the cleaning service and a loan program. Please refer to our web site: <http://www.humanware.com/>

Or contact us by E-mail at us.info@humanware.com or call [1\(800\) 722-3393](tel:1(800)722-3393)

12.1. Conditions and Limitations:

No replacement or repair covered by the warranty will be carried out unless the unit is accompanied by a copy of the original bill of purchase. Please retain your original. If the unit has to be returned, please use the original packaging. This warranty applies to all cases where the damage is not a result of improper use, mistreatment, negligence or acts of God.

13. Specifications

- Power requirement: +5VDC@1.5A
- Battery: Li-Ion 3.7V nominal, 2000 mAh
- Operating temperature range: +5 ~ +45 degrees Celsius
- Battery charging temperature range: +5 ~ +35 degrees Celsius
- Storage temperature: -20 ~ +65 degrees Celsius
- Operating humidity: 5% ~ 95% (non-condensing)
- Storage humidity: 5% ~ 95% (non-condensing)

14. Warnings

Battery Safety Precautions:

CAUTION:

- Risk of explosion if battery is replaced by an incorrect type.
- Dispose of used batteries according to the instructions below.
- Do not disassemble or modify the battery.
- Use only the specified HumanWare charger.
- There is a risk of overheating, fire or explosion if the battery is put in a fire, heated, subjected to impact, put in contact with water, or if its terminals are shorted.
- Do not attempt to charge or use the battery outside of the unit.

Disposal Instructions:

At the end of the Brailliant’s operational lifetime, its internal components must be disposed in compliance with local authorities.

The Brailliant BI 40X contains no hazardous materials. For disposal, follow local governing ordinances or hospital procedure.

FCC Warning

This device complies with part 15 of the FCC Rules. Operation is subject to the following two conditions: (1) This device may not cause harmful interference, and (2) this device must accept any interference

received, including interference that may cause undesired operation.

Changes or modifications not expressly approved by the party responsible for compliance could void the user's authority to operate the equipment.

Note: This equipment has been tested and found to comply with the limits for a Class B digital device, pursuant to part 15 of the FCC Rules. These limits are designed to provide reasonable protection against harmful interference in a residential installation. This equipment generates, uses and can radiate radio frequency energy and, if not installed and used in accordance with the instructions, may cause harmful interference to radio communications. However, there is no guarantee that interference will not occur in a particular installation. If this equipment does cause harmful interference to radio or television reception, which can be determined by turning the equipment off and on, the user is encouraged to try to correct the interference by one or more of the following measures:

- Reorient or relocate the receiving antenna.
- Increase the separation between the equipment and receiver.
- Connect the equipment into an outlet on a circuit different from that to which the receiver is connected.
- Consult the dealer or an experienced radio/TV technician for help.

Industry Canada statements

This device complies with Industry Canada licence-exempt RSS standard(s). Operation is subject to the following two conditions:

(1) this device may not cause interference, and (2) this device must accept any interference, including interference that may cause undesired operation of the device.

Le présent appareil est conforme aux CNR d'Industrie Canada applicables aux appareils radio exempts de licence. L'exploitation est autorisée aux deux conditions suivantes : (1) l'appareil ne doit pas produire de brouillage, et (2) l'utilisateur de l'appareil doit accepter tout brouillage radioélectrique subi, même si le brouillage est susceptible d'en compromettre le fonctionnement.

CAN ICES-3 (B)/NMB-3(B)

Customer support

For customer support, please contact the HumanWare office nearest you or view our Website at:
www.humanware.com

North America: 1 (800) 722-3393
or e-mail to us.support@humanware.com

Europe: (0044) 1933 415800
or e-mail to eu.support@humanware.com

Australia / Asia: (02) 9686 2600
or e-mail to au.sales@humanware.com