

Part Number: PK389-0TM00-P1**Note:** Part numbers of these accessories may not be the same as the part numbers shown.**Kit Contents:**

Item #	Qty Reqd.	Description
1	1	Front Passenger Side Mudguard
2	1	Front Driver Side Mudguard
3	1	Rear Passenger Side Mudguard
4	1	Rear Driver Side Mudguard
5	1	Hardware Kit (Front)
6	1	Hardware Kit (Rear)

Hardware Bag Contents:

Item #	Qty Reqd.	Description
Front (1 Bag)		
1	6	#14 x 19mm Screw (Thick)
Rear (1 Bag)		
1	4	M5 x 20 mm Screw (Thin)
2	4	Spring Clip (Small)
3	2	Push Pin (Short)

Additional Items Required For Installation:

Item #	Qty Reqd.	Description
1		
2		
3		

Conflicts:

Note: Ground effects

Recommended Tools:

Personal & Vehicle Protection	Notes:
None	
Special Tools:	Notes:
None	
Installation Tools	Notes:
Screwdriver	Phillips #2 / #3 / Slot
Drill	
Drill Bit	8mm (5/16")
Clean Cloth/Rag	
Special Chemicals	Notes:
Cleaner	Soap & Water Mixture

General Applicability:

All Models

Recommended Sequence of Application:

Item #	Accessory
1	
2	
3	

*Mandatory

Vehicle Service Parts: (may be required for reassembly)

Item #	Qty Reqd.	Description
1		
2		
3		

**STOP:** Damage to the vehicle may occur. Do not proceed until process has been complied with.**OPERATOR SAFETY:** Use caution to avoid risk of injury.**CAUTION:** A process that must be carefully observed in order to reduce the risk of damage to the accessory/vehicle and to ensure a quality installation.**TOOLS & EQUIPMENT:** Used in Figures calls out the specific tools and equipment recommended for this process.**REVISION MARK:** This mark highlights a change in installation with respect to previous issue.**SAFETY TORQUE:** This mark indicates that torque is related to safety.

Checklist – these points **MUST** be checked to ensure a quality installation.

Care must be taken when installing this accessory to ensure damage does not occur to the vehicle. The installation of this accessory should follow approved guidelines to ensure a quality installation.



These guidelines can be found in the “Toyota and Scion Accessory Installation Practices” or “Lexus Accessory Installation Practices” document.

This document covers such items as:

- Installation Instructions
- Safety
- Vehicle Protection
- Vehicle Disassembly/Reassembly
- Electrical Component Disassembly/Reassembly
- Use of Special Chemicals
- Temperature
- Torque Recheck
- Window Label Installation
- TPMS Check

Please refer to ETAS for a copy of this document.

PRECAUTIONS FOR INSTALLATION:

Contents indicated by  and  in this manual must be carefully followed during the installation. If they are ignored, functions of the accessory maybe hindered, as well as personal injury or damage to the vehicle may result. Always carry out the installation as instructed.

When the vehicle parts are removed, keep all tapping screws, bolts and nuts organized so that the re-assembly will proceed correctly.

Do NOT remove vehicle parts except for those that are specified in the manual.

Verify all kit contents and only use parts provided unless otherwise specified.

NOTE: Pictures depicted in this Installation Manual may not reflect the current model and model year vehicle.

Checklist – these points **MUST** be checked to ensure a quality installation.

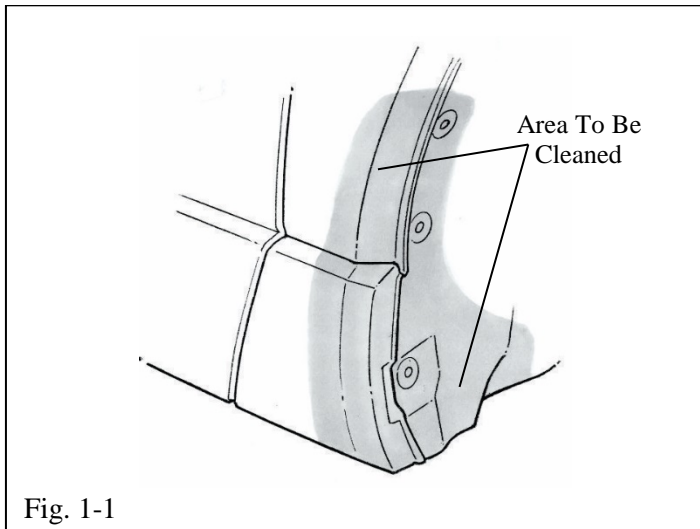


Fig. 1-1

1. Clean Front Mounting Area

- Clean and degrease front body where mudguard is to be located with a clean cloth and soap/water mixture. (Fig. 1-1)
- Turning front wheels will allow for additional clearance in installation.

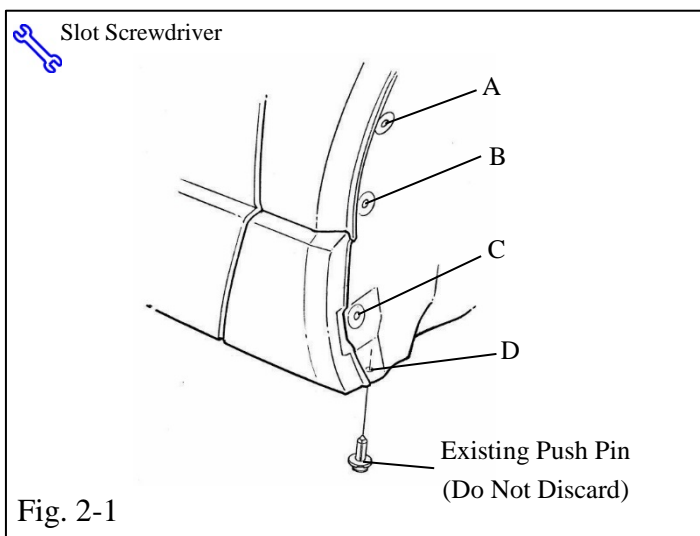


Fig. 2-1

2. Front Hardware Removal

- Remove existing lower bottom push pin location D, **DO NOT DISCARD**. (Fig. 2-1)

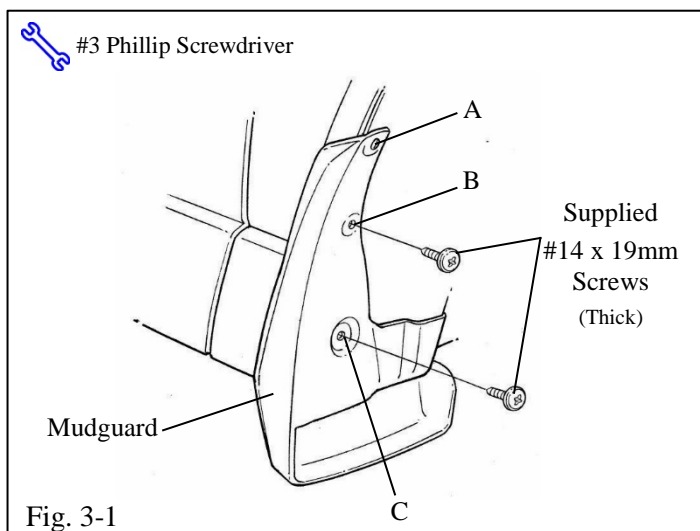
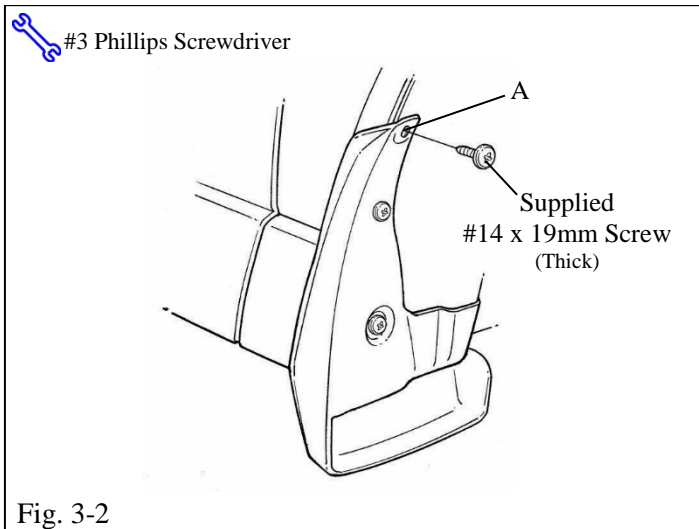


Fig. 3-1

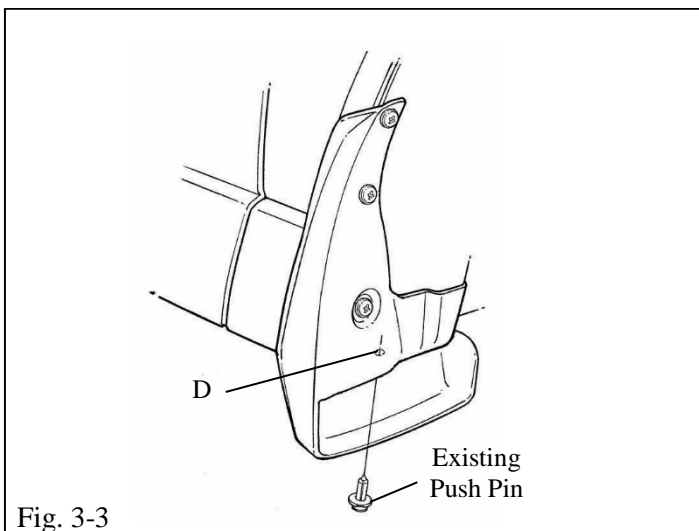
3. Installation of Front Mudguard

- Mount mudguard on body panel and install supplied #14 x 19mm (Thick) screw in location C then B, while holding part up and into body panel then tighten. **DO NOT OVER TIGHTEN**. (Fig. 3-1)

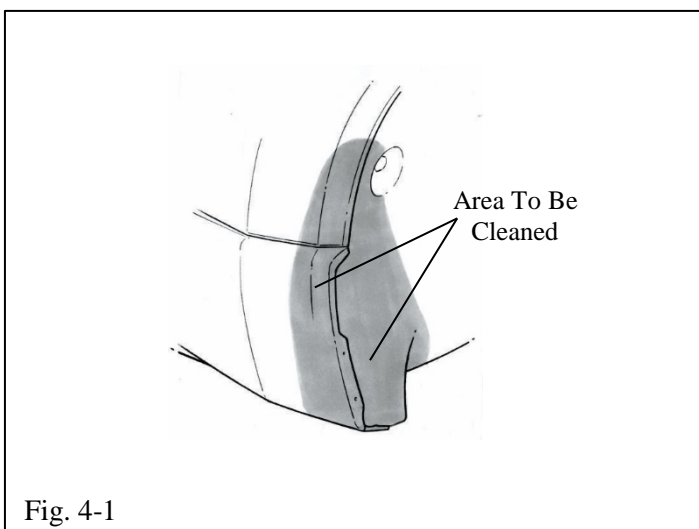
Checklist – these points **MUST** be checked to ensure a quality installation.



- b. Install supplied #14 x 19mm (Thick) screw in location A while holding top of part tight to body panel then tighten. **DO NOT OVERTIGHTEN.** (Fig. 3-2)



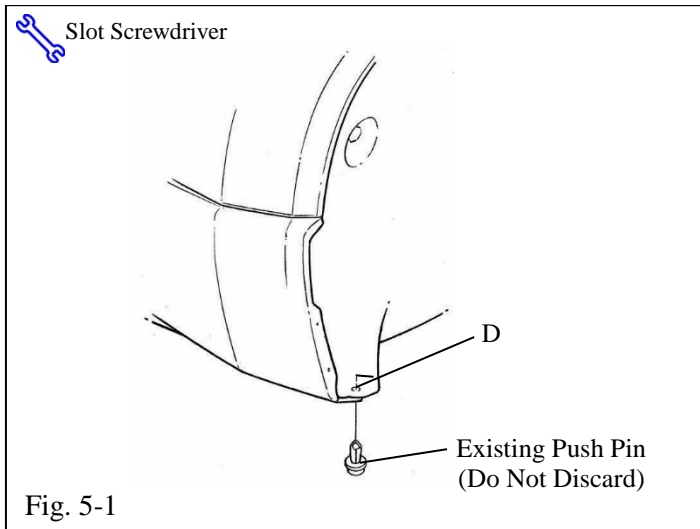
- c. While holding mudguard tight to panel reinstall existing lower push pin in location D. (Fig 3-3)
- d. Repeat procedure for other side of vehicle.



4. **Clean Rear Mounting Area**

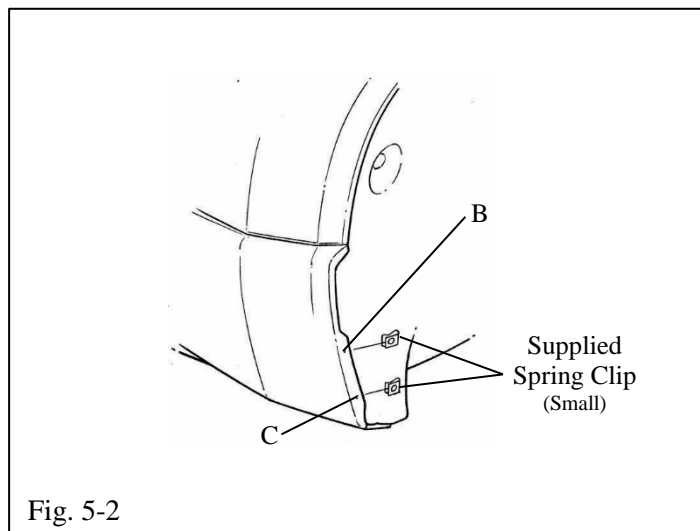
- a. Clean and degrease rear bumper panel where mudguard is to be located with a clean cloth and soap/water mixture. (Fig. 4-1)

Checklist – these points **MUST** be checked to ensure a quality installation.

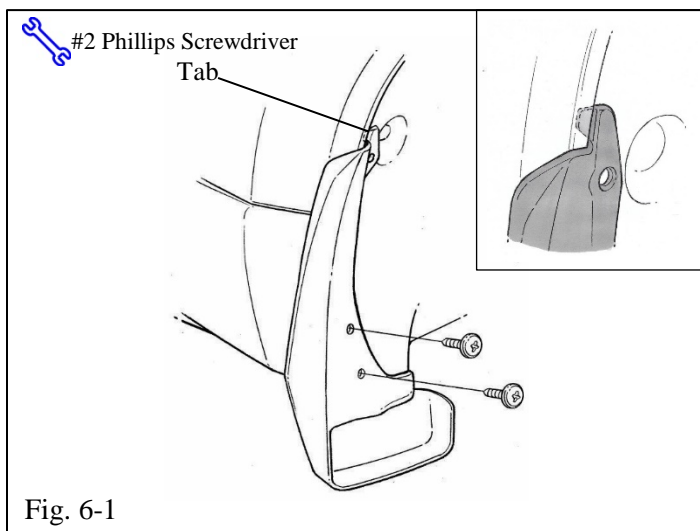


5. Rear Hardware Removal and Installation

- a. Remove existing lower bottom push pin
Location D. **DO NOT DISCARD.** (Fig. 5-1)



- b. Install supplied spring clip (Small) with turned up edge inside of lower panel and center on dimple hole locations B & C. (Fig 5-2)

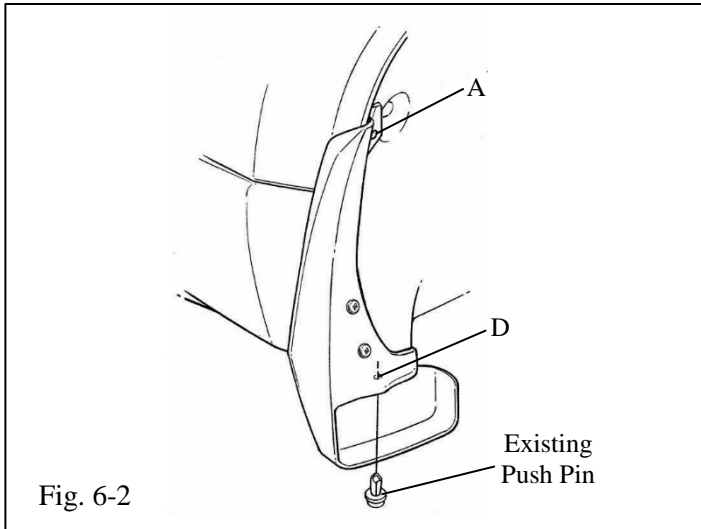


6. Installation of Rear Mudguard

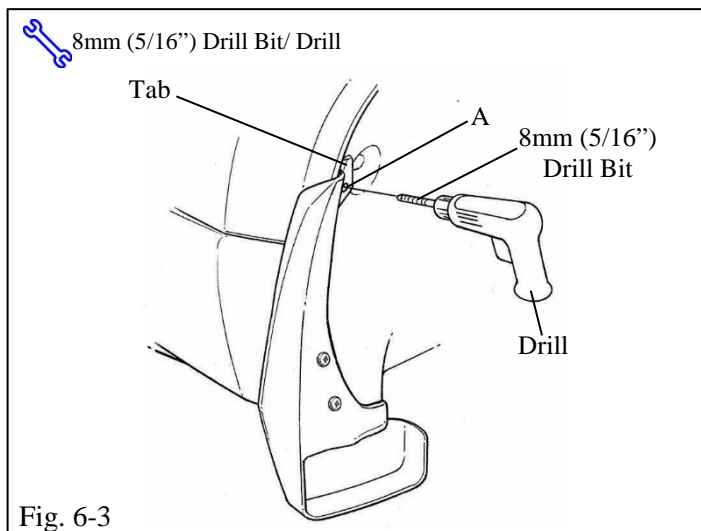


- a. Mount mudguard by sliding tab under bumper flange push up and into position then install supplied M5 x 20mm (Thick) screws in location C and B while holding part up and into panel. (Fig. 6-1)

Checklist – these points **MUST** be checked to ensure a quality installation.

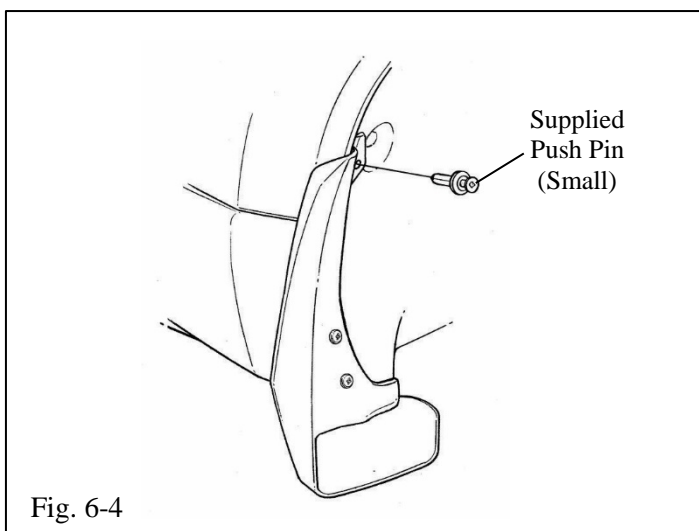


- b. While holding mudguard tight to panel reinstall existing lower pushpin in location D, rearward hole. (Fig. 6-2)



- c. While holding part tight to panel drill 8mm (5/16'') hole in location A using part as a template.

NOTE: MAKE SURE TAB IS UNDER BUMPER FLANGE AND PUSH UP AND INTO POSITION BEFORE DRILLING LOCATION A.



- d. Install supplied push pin (Small) in location A. (Fig 6-4)
- e. Repeat procedure for other side of vehicle.

Checklist – these points **MUST** be checked to ensure a quality installation.

Check:	Look For:
<p><u>Accessory Function Checks</u></p> <p><input type="checkbox"/> Gaps between the mudguards and the body.</p> <p><input type="checkbox"/></p> <p><input type="checkbox"/></p>	<p>Excessive gaps greater than 1.0 mm.</p>
<p><u>Vehicle Function Checks</u></p> <p><input type="checkbox"/></p> <p><input type="checkbox"/></p> <p><input type="checkbox"/></p>	
<p><u>Vehicle Appearance Check</u></p> <p><input type="checkbox"/> After accessory installation perform a visual inspection.</p> <p><input type="checkbox"/></p> <p><input type="checkbox"/></p>	<p>Ensure no damage (including scuffs and scratches) was caused during the installation process.</p>