

TOYOTA RAV4 TRAIL

2019 -

CROSSBAR KIT

Preparation

Part Number: PT278-42191**Kit Contents**

Item #	Quantity Reqd.	Description
1	1	Crossbar Assembly Front (Long)
2	1	Crossbar Assembly Rear (Short)
3	1	Hardware Bag

Hardware Bag Contents

Item #	Quantity Reqd.	Description
1	1	T30 Torque Wrench
2	8	M6 Shoulder Bolt
3	1	Care Card

Additional Items Required For Installation

Item #	Quantity Reqd.	Description
1	1	Front Trail Edition Crossbar
2	1	Rear Trail Edition Crossbar

Conflicts

Non-Adventure Models

Recommended Tools

Personal & Vehicle Protection	Notes
Safety Glasses	
Safety Gloves	
Cloth	
Wrist & Belt Buckle Protection	
Special Tools	Notes
Installation Tools	Notes
Panel Removal Pry Tool	
Special Chemicals	Notes
Cleaner	Approved Cleaner

General Applicability

MY19 and newer RAV4 - Trail Edition only
--

Recommended Sequence of Application







Item #	Accessory
1	
2	
3	

*Mandatory

Vehicle Service Parts (may be required for reassembly)

Item #	Quantity Reqd.	Description
1		
2		
3		

Legend

	STOP: Damage to the vehicle may occur. Do not proceed until process has been complied with.
	OPERATOR SAFETY: Use caution to avoid risk of injury.
	CAUTION: A process that must be carefully observed in order to reduce the risk of damage to the accessory/vehicle and to ensure a quality installation.
	TOOLS & EQUIPMENT: Used in Figures calls out the specific tools and equipment recommended for this process.
	REVISION MARK: This mark highlights a change in installation with respect to previous issue.
	SAFETY TORQUE: This mark indicates that torque is related to safety.

Procedure

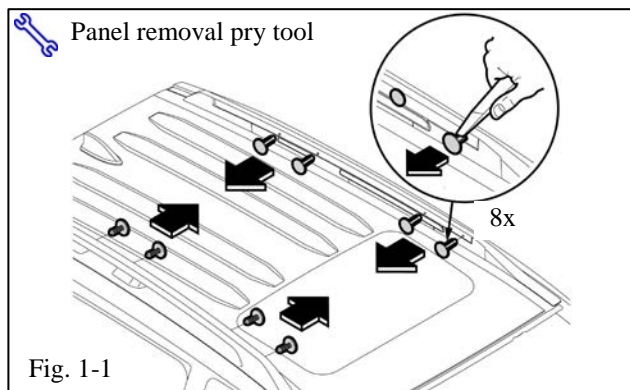
Care must be taken when installing this accessory to ensure damage does not occur to the vehicle. The installation of this accessory should follow approved guidelines to ensure a quality installation.

These guidelines can be found in the "Accessory Installation Practices" document.

This document covers such items as:-

- Vehicle Protection (use of covers and blankets, cleaning chemicals, etc.).
- Safety (eye protection, rechecking torque procedure, etc.).
- Vehicle Disassembly/Reassembly (panel removal, part storage, etc.).
- Electrical Component Disassembly/Reassembly (battery disconnection, connector removal, etc.).

Please see your Toyota dealer for a copy of this document.

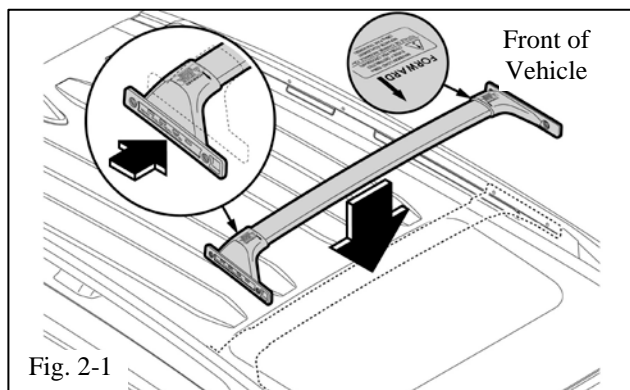


1. Prepare the components

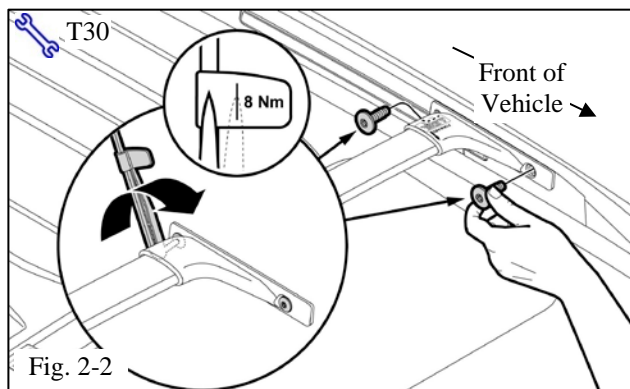
- Remove the plugs from the rails with a plastic pry tool, or turning them counter clockwise by hand (8pcs.) (Fig. 1-1).
- Save the plugs for future use.
- Clean rails and attachment holes (make sure they are free of dirt and debris).
- Protect the roof with a blanket.

2. Install the Front Crossbar

NOTE: Make sure the crossbar is in the compressed state so that it fits easily between the side rails (Fig. 2-1).



- Position the front crossbar between the side rails so that the "FORWARD" indicator arrow points toward the front of the vehicle (Fig. 2-1).



- Align the holes in the crossbar support to the corresponding mounting holes on the rail (Fig. 2-2).
- Hand start the M6-shoulder bolts, (4 bolts per crossbar) (Fig 2-2).

NOTE: If necessary, pull or push on the adjustable side (right side) of the crossbar to reach the side rail.



(d) Starting with the rear shoulder bolt, use the torque wrench to tighten one side of the crossbar.

STOP (e) Do not torque until confirming the support is properly aligned and seated on the side rail. (Fig. 2-2 and Fig. 2-3).

! (f) Tighten bolts to 8N-m (71 in-lb.) using the torque wrench provided (Fig. 2-2 and Fig. 2-3).

Torque: 8N-m (71 in-lb.)

3. Install the Rear Crossbar

(a) Repeat Step 2 to install the rear crossbar.

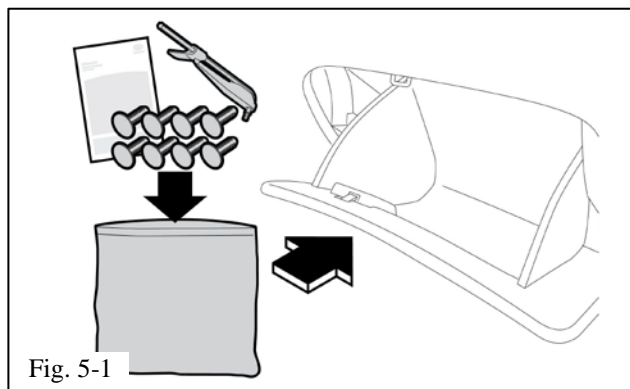
4. Retorque All Fasteners

(a) Retorque all of the fasteners to 8N-m (71 in-lb.).

Torque: 8N-m (71 in-lb.)

5. Complete the Installation.

STOP (a) Place the care card, plugs, and torque wrench in the supplied bag and store them in the vehicle's glove box (Fig. 5-1).



TOYOTA RAV4 TRAIL**2019 -****CROSSBAR KIT**

Checklist - these points **MUST** be checked to ensure a quality installation.

<u>Check:</u>	<u>Look For:</u>
<p><u>Accessory Function Checks</u></p> <p><input type="checkbox"/> Ensure crossbars are secure and in correct orientation</p> <p><input type="checkbox"/> Care card & torque wrench</p> <p><input type="checkbox"/> Crossbar security</p>	<p>Ensure the crossbars FORWARD arrow is facing the front of the vehicle.</p> <p>Care card and torque wrench inside vehicle glove box.</p> <p>Ensure crossbars are fully tightened to the side rails (8N-m (71 in-lb.)).</p>
<p><u>Vehicle Function Checks</u></p> <p><input type="checkbox"/></p> <p><input type="checkbox"/></p>	
<p><u>Vehicle Appearance Check</u></p> <p><input type="checkbox"/> After accessory installation and removal of protective cover(s), perform a visual inspection.</p>	<p>Ensure no damage (including scuffs and scratches) was caused during the installation process.</p>